

**PLEASE CHECK WWW.MOLEX.COM FOR LATEST PART INFORMATION**

**Part Number:** [0003092041](#)  
**Status:** **Active**  
**Overview:** [standard\\_093](#)  
**Description:** 2.36mm (.093") Diameter Standard .093" Pin and Socket Plug Housing, 4 Circuits, Single Row

**Documents:**

<a href="#">3D Model</a>	<a href="#">Product Specification PS-1490-002 (PDF)</a>
<a href="#">Packaging Specification (PDF)</a>	<a href="#">Product Specification PS-42477 (PDF)</a>
<a href="#">Drawing (PDF)</a>	<a href="#">Product Specification PS-43660-9999 (PDF)</a>
<a href="#">Product Specification PS-02-09 (PDF)</a>	<a href="#">RoHS Certificate of Compliance (PDF)</a>
<a href="#">Product Specification PS-1490-001 (PDF)</a>	

**Agency Certification**

CSA	LR19980
UL	E29179

**General**

Product Family	Crimp Housings
Series	<a href="#">1490</a>
Comments	14.0A max. can be achieved when housing is used with 42477 or 42478 terminals
MolexKits	Yes
Overview	<a href="#">standard_093</a>
Product Name	Standard .093"

**Physical**

Circuits (maximum)	4
Circuits Detail	(1 x 4)
Color - Resin	Natural
Flammability	94V-2
Gender	Dual
Glow-Wire Compliant	No
Material - Resin	Nylon
Number of Rows	1
Packaging Type	Bag
Panel Mount	Yes
Pitch - Mating Interface (in)	0.198 In
Pitch - Mating Interface (mm)	5.03 mm
Stackable	No
Temperature Range - Operating	-40°C to +105°C

**Electrical**

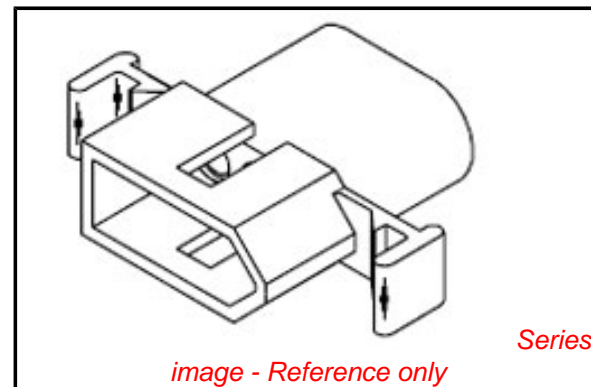
Current - Maximum per Contact	11A
-------------------------------	-----

**Material Info**

Old Part Number	1490-P
-----------------	--------

**Reference - Drawing Numbers**

Packaging Specification	PK-1490-001
Product Specification	PS-02-09, PS-1490-001, PS-1490-002, PS-42477, PS-43660-9999
Sales Drawing	SD-1490-*



**EU RoHS**

**ELV and RoHS Compliant**  
**REACH SVHC**  
 Not Reviewed  
**Halogen-Free Status**

**China RoHS**



**Need more information on product environmental compliance?**

Email [productcompliance@molex.com](mailto:productcompliance@molex.com)  
 For a multiple part number RoHS Certificate of Compliance, [click here](#)

Please visit the [Contact Us](#) section for any non-product compliance questions.

**Search Parts in this Series**

[1490Series](#)

**Mates With**

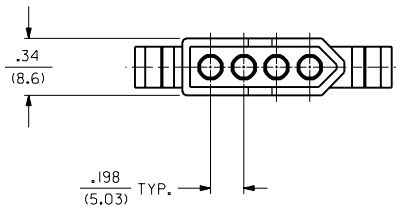
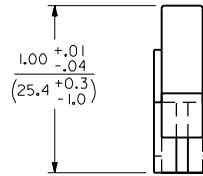
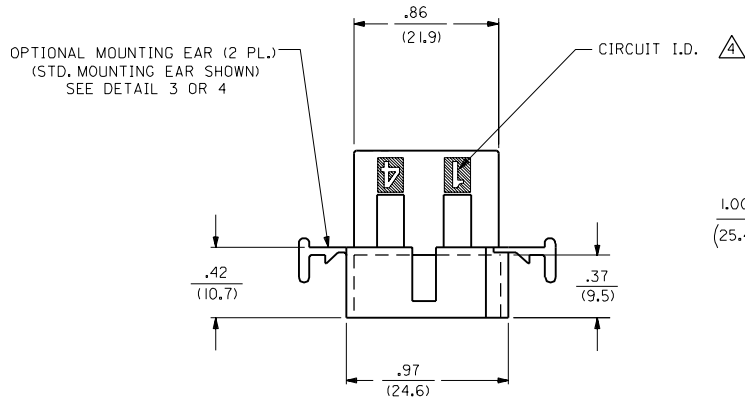
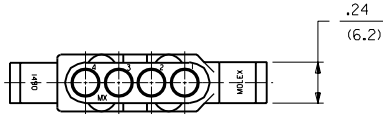
[1490r](#)

**Use With**

[1189](#) Crimp Terminals, [1190](#) Crimp Terminals, [1376](#) Male PC Tail Terminals, [1377](#) Female PC Tail Terminals, [1380](#) Male Crimp Terminals, [1381](#) Female Crimp Terminals, [1433](#) Crimp Terminals, [1434](#) Male Crimp Terminals, [1973](#) , [2151](#) , [2273](#) , [2870](#) , [2871](#) , [4272](#) , [4550](#) , [6271](#) , [6310](#) , [42477](#) , [42478](#)

**PLEASE CHECK [WWW.MOLEX.COM](http://WWW.MOLEX.COM) FOR LATEST PART INFORMATION**

PLUG



PLUG HOUSING

T	3	T
S	2	T
RI	1	T
R		
P		
MFG.	SH.	REV.
LTR.		REVISIONS

DIMENSIONS SHOWN METRIC (INCH)		▽ = 0	▼ = 0	REVISE ONLY ON CAD SYSTEM
UNLESS OTHERWISE SPECIFIED TOLERANCES: ANGULAR ± .004				
INCH METRIC		TITLE		
3 PLACE ± .010	---	.093/(2.36) HOUSING, PLUG AND RECEPTACLE, 4 CKT. ± .198/(5.03) CTRS.		
2 PLACE ± .014	± 0.25	PART NO. MOLEX INCORPORATED		
1 PLACE ---	± 0.35	L15LEJLL. 60532 U.S.A. 1 OF 3		
DRAFT WHERE APPLICABLE MUST REMAIN WITHIN DIMENSIONS		SHEET NO. DATE		
		3 / 9 / 88		
DRWG. BY: CEP		CHKD. BY: RW		DRWG. NO. SD-1490-*
APP'D. BY: RAS		SCALE: 2 : 1		FILE NAME: SD1490X1.DWG
SEE CHART				SIZE: CP
THIS DRAWING CONTAINS INFORMATION THAT IS PROPRIETARY TO MOLEX INC. AND SHOULD NOT BE USED WITHOUT WRITTEN PERMISSION.				

PLUG	
PART NO.	ENG. NO.
03-09-2041	I490-P
03-09-2042	I490-PI
03-09-7041	I490-PBK
03-09-7042	I490-PIBK
PRELIMINARY	I490-P2
03-09-3042	I490-PIBU

RECEPTACLE	
PART NO.	ENG. NO.
03-09-1041	I490-R
03-09-1042	I490-R1
03-09-6041	I490-RBK
03-09-6042	I490-RIBK
03-09-1043	I490-R2
03-09-6043	I490-RBU
03-09-6045	I490-RGN

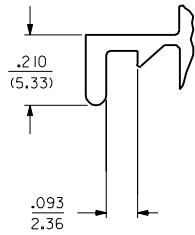
**LEGEND:**

I490-\*\*\*-\*

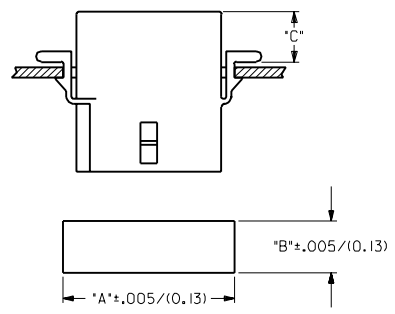
P = PLUG  
R = RECEPTACLE

BLANK = WITH STANDARD EARS  
1 = WITHOUT EARS  
2 = WITH PREBENT EARS, PER DETAIL 4

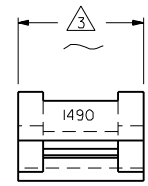
COLOR: BLANK=NATURAL COLOR  
AM=AMBER BK=BLACK BU=BLUE  
BN=BROWN CY=GRAY GN=GREEN  
OR=ORANGE RD=RED YW=YELLOW  
BLANK = MATERIAL CODE A



**DETAIL 3**  
.093/(2.36) STANDARD MOUNTING EAR  
(SCALE 4:1)



HOUSING	DIM. "A"	DIM. "B"	DIM. "C"
PLUG	1.131/(28.73)	.375/(9.52)	.36/(9.1)
RECEPTACLE	1.038/(26.36)	.312/(7.92)	.37/(9.4)



**DETAIL 4**  
.093/(2.36) PREBENT MOUNTING EAR  
(SCALE 4:1)

**NOTES:**

- MATERIAL CODES:  
A = NYLON 6/6, 94V-2
- THIS PART COMPLIES WITH MOLEX PRODUCT SPEC. 02-09.
- FOR DIMENSION SEE SHEET 1 AND 2.
- CIRCUIT I.D. NUMBERS ON HOUSING APPEAR ON PARTS FROM TOOLS BUILT AFTER 8/7/91.

REVISIONS ONLY ON CAD SYSTEM

DIMENSIONS SHOWN METRIC (INCH)	
INCH	METRIC
3 PLACE ± .010	---
2 PLACE ± .014	± 0.25
1 PLACE ---	± 0.35

TITLE  
.093/(2.36) HOUSINGS,  
PLUG AND RECEPTACLE,  
4 CKT. ± .198/(5.03) CTRS.

MOLEX INCORPORATED  
LITSE,ILL. 60532 U.S.A.  
SHEET NO. 3 DATE 3/10/88

SEE CHART SD-I490-\*

REV.	DATE	BY	CHKD.	APP'D.	SCALE
1		CEP	RW	RAS	2 : 1
LTR.	REVISIONS	LTR.	REVISIONS		

THIS DRAWING CONTAINS INFORMATION THAT IS PROPRIETARY TO MOLEX INC. AND SHOULD NOT BE USED WITHOUT WRITTEN PERMISSION.