

PLEASE CHECK WWW.MOLEX.COM FOR LATEST PART INFORMATION

Part Number: [0019092028](#)
Status: **Active**
Overview: [standard_093](#)
Description: 2.36mm (.093") Diameter Standard .093" Pin and Socket Plug Housing With Positive Latch, UL 94V-2, Panel Mount, 2 Circuits

Documents:

[3D Model](#) [Packaging Specification \(PDF\)](#)
[Drawing \(PDF\)](#) [RoHS Certificate of Compliance \(PDF\)](#)

Agency Certification

CSA LR19980
TUV R72081037
UL E29179

General

Product Family Crimp Housings
Series [3191](#)
Comments Polarized to Mating Part, With Mounting Ears
Overview [standard_093](#)
Product Name Standard .093"

Physical

Breakaway No
Circuits (maximum) 2
Color - Resin Natural
Flammability 94V-2
Gender Dual
Glow-Wire Compliant No
Keying to Mating Part None
Lock to Mating Part Yes
Material - Resin Nylon
Number of Rows 1
Packaging Type Bag
Panel Mount Yes
Pitch - Mating Interface (in) 0.264 In
Pitch - Mating Interface (mm) 6.71 mm
Polarized to Mating Part Yes
Stackable No
Temperature Range - Operating -40°C to +105°C

Electrical

Current - Maximum per Contact 12A

Material Info

Old Part Number 3191-2P

Reference - Drawing Numbers

Sales Drawing SD-3191-2*

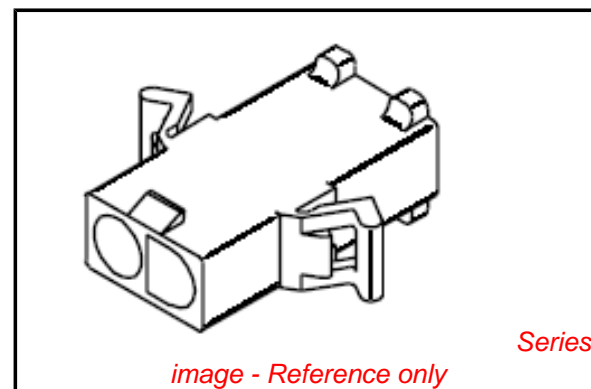


image - Reference only

EU RoHS

**ELV and RoHS
Compliant**
**REACH SVHC
Contains SVHC: No**
**Halogen-Free
Status**

China RoHS



**Need more information on product
environmental compliance?**

Email productcompliance@molex.com
For a multiple part number RoHS Certificate of Compliance, [click here](#)

Please visit the [Contact Us](#) section for any non-product compliance questions.

Search Parts in this Series

[3191Series](#)

Mates With

[3191](#) Pin and Socket Rectacle, [5219](#) Vertical PCB Header

Use With

[1189](#) Crimp Terminals, [1190](#) Crimp Terminals, [1380](#) Male Crimp Terminals, [1381](#) Female Crimp Terminals, [1433](#) Crimp Terminals, [1434](#) Male Crimp Terminals, [2605](#) , [2606](#) , [1973](#) , [2151](#) , [2273](#) , [2870](#) , [2871](#) , [4272](#) , Lin

13 12 11 10 9 8 7 6 3191 4 3 2 1

PLUG		RECEPTACLE	
PART NO.	ENG. NO.	PART NO.	ENG. NO.
19-09-2028	3191-2P	19-09-1029	3191-2R1
19-09-2029	3191-2P1	19-09-1026	3191-2R1-201
19-09-2027	3191-2P-201	19-09-1020	3191-2R IRD
19-09-2026	3191-2P1-201	19-09-1021	3191-2R IBU
19-09-2020	3191-2P IRD		
19-09-2021	3191-2P IBU		

LEGEND:
 3191-2****-*

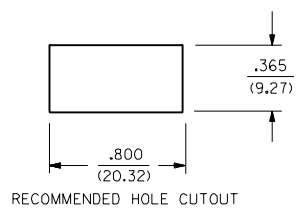
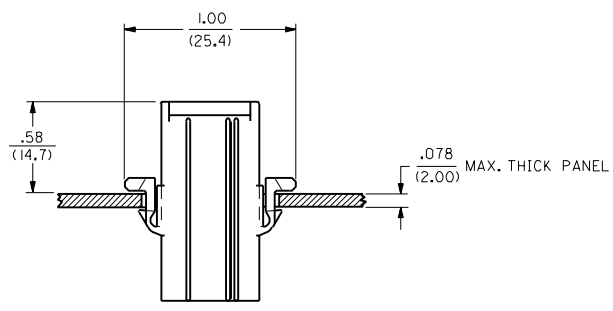
CIRCUIT SIZE

P = PLUG
 R = RECEPTACLE

EARS: BLANK = WITH PREBENT EARS (PLUG ONLY)
 I = WITHOUT EARS

COLOR: BLANK = NATURAL COLOR
 AM=AMBER BK=BLACK BU=BLUE
 BN=BROWN GY=GRAY GN=GREEN
 OR=ORANGE RD=RED YW=YELLOW

MATERIAL: BLANK=NYLON TYPE 6/6, 94V-2
 201=NYLON TYPE 6/6, 94V-0



NOTES:
 1. THESE HOUSINGS FOR USE WITH MOLEX .093/(2.36) DIAMETER SERIES TERMINALS.

J
I
H
G
F
D
C
B
A

3191

J
I
H
G
F
D
C
B
A

DIMENSIONS SHOWN (METRIC) INCH		▽=0	▽=0	REVISE ONLY ON CAD SYSTEM
UNLESS OTHERWISE SPECIFIED TOLERANCES: ANGLES .015°		TITLE		
		.093/(2.36) HOUSINGS PLUG AND RECEPTACLE 2 CKT., .264/(6.70) CTRS.		
		MOLEX INCORPORATED		
		LITTLE ROCK, ARK. 60532 U.S.A.		
		SHEET NO. 3 DATE 11/21/88		
		PART NO. SD-3191-2*		
		SEE CHART		
		DRAWING NO.		
		FILE NAME: 531912X3.DGN		
		THIS DRAWING CONTAINS INFORMATION THAT IS PROPRIETARY TO MOLEX INC. AND SHOULD NOT BE USED WITHOUT WRITTEN PERMISSION.		
		DIN. SIZE CP C		

13 12 11 10 9 8 7 6 5 4 3 2 NO P.S. 1