

PLEASE CHECK WWW.MOLEX.COM FOR LATEST PART INFORMATION

Part Number: [0019092042](#)
Status: **Active**
Overview: [standard_093](#)
Description: 2.36mm (.093") Diameter, .093" Pin and Socket Plug Housing with Positive Latch, 4 Circuits, Without Mounting Ears

Documents:

| | |
|--|---|
| 3D Model | Product Specification PS-1991-013 (PDF) |
| Drawing (PDF) | Product Specification PS-1991-014 (PDF) |
| Packaging Specification (PDF) | RoHS Certificate of Compliance (PDF) |
| Product Specification PS-02-09 (PDF) | |

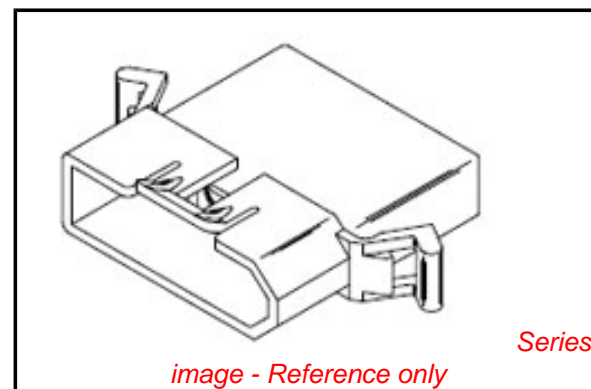


image - Reference only

Agency Certification

| | |
|-----|---------|
| CSA | LR19980 |
| TUV | R95725 |
| UL | E29179 |

General

| | |
|----------------|--|
| Product Family | Crimp Housings |
| Series | 1991 |
| Comments | Glow Wire Equivalent Part Number 50361743 . Polarized to Mating Part |
| Overview | standard_093 |
| Product Name | Standard .093" |

Physical

| | |
|-------------------------------|-----------------|
| Breakaway | No |
| Circuits (maximum) | 4 |
| Circuits Detail | 2x2 |
| Color - Resin | Natural |
| Flammability | 94V-2 |
| Gender | Female |
| Glow-Wire Compliant | No |
| Keying to Mating Part | None |
| Lock to Mating Part | Yes |
| Material - Resin | Nylon |
| Number of Rows | 1 |
| Packaging Type | Bag |
| Panel Mount | No |
| Pitch - Mating Interface (in) | 0.248 In |
| Pitch - Mating Interface (mm) | 6.30 mm |
| Polarized to Mating Part | Yes |
| Stackable | No |
| Temperature Range - Operating | -40°C to +105°C |

Electrical

| | |
|-------------------------------|----|
| Current - Maximum per Contact | 9A |
|-------------------------------|----|

Material Info

| | |
|-----------------|-----------|
| Old Part Number | 1991-04P1 |
|-----------------|-----------|

Reference - Drawing Numbers

| | |
|-----------------------|------------------------------------|
| Product Specification | PS-02-09, PS-1991-013, PS-1991-014 |
| Sales Drawing | SD-1991-4* |

EU RoHS

ELV and RoHS Compliant
REACH SVHC
Contains SVHC: No
Halogen-Free Status
Halogen-Free

China RoHS



Need more information on product environmental compliance?

Email productcompliance@molex.com
 For a multiple part number RoHS Certificate of Compliance, [click here](#)

Please visit the [Contact Us](#) section for any non-product compliance questions.

Search Parts in this Series

[1991Series](#)

Mates With

[19-09-1042](#) Receptacle, [19-09-1043](#) Receptacle

Use With

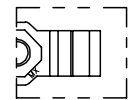
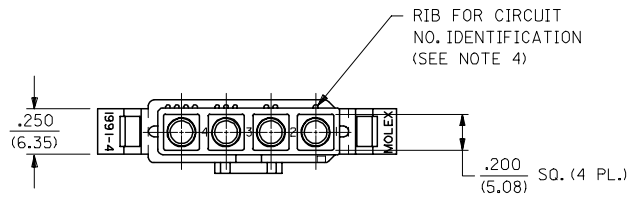
[1189](#) Crimp Terminals, [1190](#) Crimp Terminals, [1380](#) Male Crimp Terminals, [1381](#) Female Crimp Terminals, [1433](#) Crimp Terminals, [1434](#) Male Crimp Terminals, [1973](#) , [2151](#) , [2273](#) , [2870](#) , [2871](#) , [4272](#) , [4550](#) , [6271](#) , Lin

This document was generated on 05/18/2010

PLEASE CHECK WWW.MOLEX.COM FOR LATEST PART INFORMATION

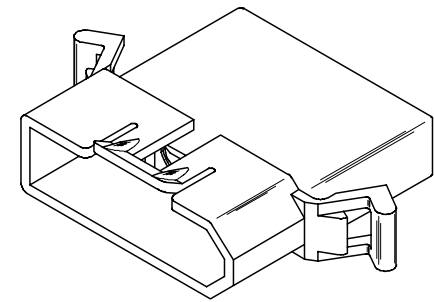
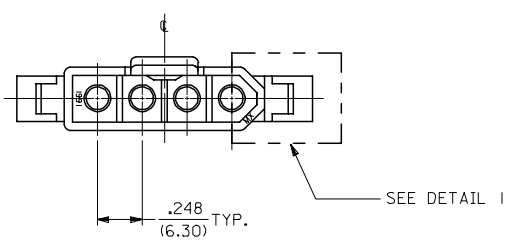
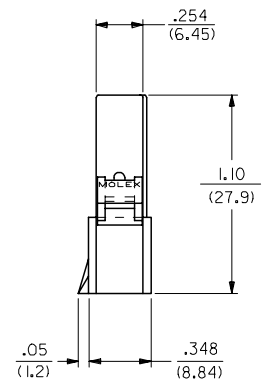
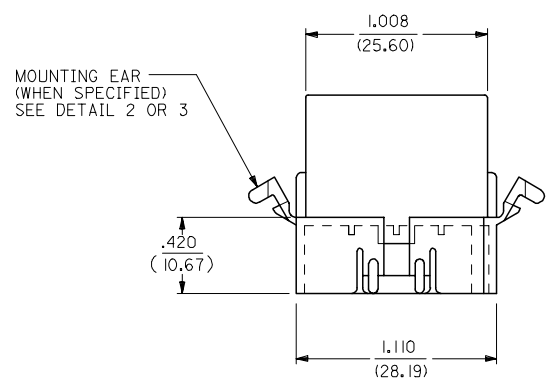
13 12 11 10 9 8 7 6 5 4 3 2 1

PLUG



ALTERNATE SQUARE END CONFIGURATION
(FOUND ON STANDARD MOUNTING EAR
VERSION TOOLS BUILT PRIOR TO 1/87.)

DETAIL 1



PLUG HOUSING

| | |
|------|------|
| 3 | J |
| 2 | J |
| 1 | J |
| SHT. | REV. |

| UPDATE TITLE BLOCK EC NO: UCP2007-1498 DRWN: AELHAG 2007/04/04 CHKD: AELHAG 2007/04/04 APPR: FSM TH 2007/04/04 REV. DESCRIPTION | QUALITY SYMBOLS ▽=0 ▽=0 | GENERAL TOLERANCES (UNLESS SPECIFIED) <table border="1"> <tr> <th></th> <th>mm</th> <th>INCH</th> </tr> <tr> <td>4 PLACES</td> <td>± .10</td> <td>± .004</td> </tr> <tr> <td>3 PLACES</td> <td>± .010</td> <td>± .0004</td> </tr> <tr> <td>2 PLACES</td> <td>± 0.25</td> <td>± .010</td> </tr> <tr> <td>1 PLACE</td> <td>± 0.35</td> <td>± .014</td> </tr> </table> ANGULAR ± 1 ° | | mm | INCH | 4 PLACES | ± .10 | ± .004 | 3 PLACES | ± .010 | ± .0004 | 2 PLACES | ± 0.25 | ± .010 | 1 PLACE | ± 0.35 | ± .014 | DIMENSION STYLE IN/MM DRAWN BY: GEP DATE: 1988/03/01 CHECKED BY: RW DATE: 1988/03/01 APPROVED BY: RAS DATE: 1988/03/01 MATERIAL NO. SEE CHART | SCALE: 2:1 DESIGN UNITS: INCH THIRD ANGLE PROJECTION | TITLE: .093/(2.36) HOUSINGS, PLUG AND RECEPTACLE, 4 CKT, .248/(6.30) CTRS. MOLEX INCORPORATED |
|---|---|--|---------|----|------|----------|-------|--------|----------|--------|---------|----------|--------|--------|---------|--------|--------|--|--|---|
| | | mm | INCH | | | | | | | | | | | | | | | | | |
| | 4 PLACES | ± .10 | ± .004 | | | | | | | | | | | | | | | | | |
| | 3 PLACES | ± .010 | ± .0004 | | | | | | | | | | | | | | | | | |
| 2 PLACES | ± 0.25 | ± .010 | | | | | | | | | | | | | | | | | | |
| 1 PLACE | ± 0.35 | ± .014 | | | | | | | | | | | | | | | | | | |
| DRAFT WHERE APPLICABLE MUST REMAIN WITHIN DIMENSIONS | SIZE: C THIS DRAWING CONTAINS INFORMATION THAT IS PROPRIETARY TO MOLEX INCORPORATED AND SHOULD NOT BE USED WITHOUT WRITTEN PERMISSION | DOCUMENT NO.: SD-1991-4* SHEET NO.: 1 OF 3 | | | | | | | | | | | | | | | | | | |

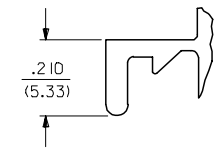
12 11 10 9 8 7 6 5 4 3 2 1

| | | | | | | | | | | | | | |
|---|------------|----------|----|------------|----------|---|---|---|---|---|---|---|---|
| | 13 | 12 | 11 | 10 | 9 | 8 | 7 | 6 | 5 | 4 | 3 | 2 | 1 |
| | PLUG | | | RECEPTACLE | | | | | | | | | |
| J | PART NO. | ENG. NO. | | PART NO. | ENG. NO. | | | | | | | | |
| | I9-09-2042 | I991-4P1 | | I9-09-1041 | I991-4R | | | | | | | | |
| | I9-09-2043 | I991-4P2 | | I9-09-1042 | I991-4R1 | | | | | | | | |
| | | | | I9-09-1043 | I991-4R2 | | | | | | | | |
| I | | | | | | | | | | | | | |
| H | | | | | | | | | | | | | |

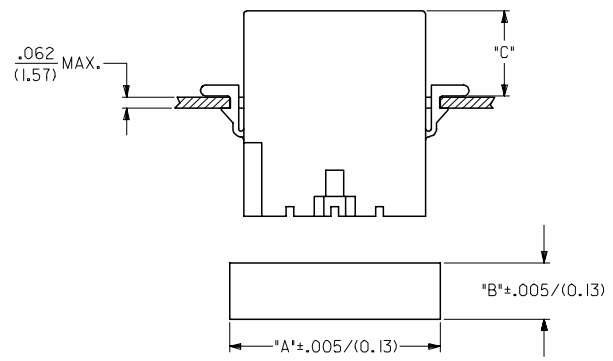
LEGEND:
 1991-4****
 CIRCUIT SIZE
 P = PLUG
 R = RECEPTACLE

BLANK = WITH STANDARD EARS
 1 = WITHOUT EARS
 2 = WITH PREBENT EARS, PER DETAIL 3

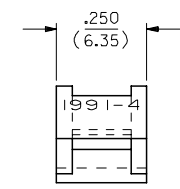
COLOR: BLANK=NATURAL COLOR
 AM=AMBER BK=BLACK BU=BLUE
 BN=BROWN GY=GRAY GN=GREEN
 OR=ORANGE RD=RED YW=YELLOW



DETAIL 2
 STANDARD MOUNTING EAR
 (SCALE 4:1)



| HOUSING | DIM. "A" | DIM. "B" | DIM. "C" STD. EAR | DIM. "C" PREBENT |
|------------|---------------|-------------|-------------------|------------------|
| PLUG | 1.270/(32.26) | .365/(9.27) | .48/(12.2) | .52/(13.2) |
| RECEPTACLE | 1.168/(29.67) | .311/(7.90) | .47/(11.9) | .51/(12.9) |



DETAIL 3
 PREBENT MOUNTING EAR
 (SCALE 4:1)

- NOTES:
1. MATERIAL: NYLON TYPE 6/6, 94V-2.
 2. FINISH: N/A
 3. PRODUCT SPECIFICATION: PS-02-09
 4. PACKAGING SPECIFICATION: PK-1991-001
 5. ACCEPTS MOLEX .093/(2.36) SERIES TERMINALS.
 6. PARTS FROM EARLIER VERSION TOOLS DO NOT HAVE CIRCUIT IDENTIFICATION RIBS
 7. PARTS CONFORM TO CLASS B REQUIREMENTS OF COSMETIC SPECIFICATION: PS-45499-002.

| | | | | | | |
|---|--|--|---|---|---|------------------------|
| UPDATE NOTES EC NO: UCP2007-1498 DRW: AELHAG 2007/04/04 CHKD: AELHAG 2007/04/04 APPR: FSM TH 2007/04/04 REV DESCRIPTION | QUALITY SYMBOLS | GENERAL TOLERANCES (UNLESS SPECIFIED) | DIMENSION STYLE IN/MM | SCALE 2:1 | DESIGN UNITS INCH | THIRD ANGLE PROJECTION |
| | $\nabla=0$ $\nabla=0$ | 4 PLACES ± --- ± --- 3 PLACES ± --- ± .010 2 PLACES ± 0.25 ± .014 1 PLACE ± 0.35 ± --- ANGULAR ± 1 ° | DRAWN BY DATE GEP 1988/03/02 CHECKED BY DATE RW 1988/03/02 APPROVED BY DATE RAS 1988/03/02 | TITLE | .093/(2.36) HOUSINGS, PLUG AND RECEPTACLE, 4 CKT, .248/(6.30) CTRS. | |
| | DRAFT WHERE APPLICABLE MUST REMAIN WITHIN DIMENSIONS | SEE CHART | MATERIAL NO. | DOCUMENT NO. | MOLEX INCORPORATED | |
| | | | SIZE C | THIS DRAWING CONTAINS INFORMATION THAT IS PROPRIETARY TO MOLEX INCORPORATED AND SHOULD NOT BE USED WITHOUT WRITTEN PERMISSION | | SHEET NO. 3 OF 3 |