

CXK5T16100TM -12LLX

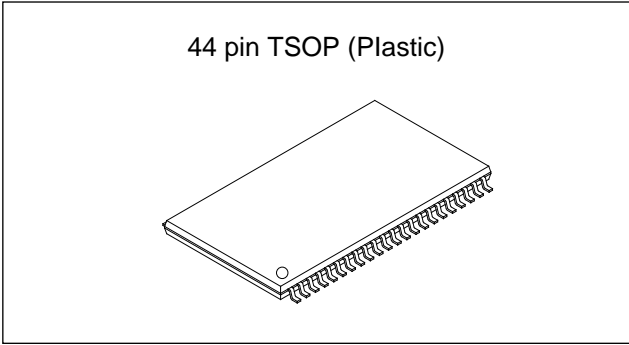
65536-word × 16-bit High Speed CMOS Static RAM *Preliminary*

Description

The CXK5T16100TM is a general purpose high speed CMOS static RAM organized as 65536-words by 16-bits.

Special feature are low power consumption and high speed.

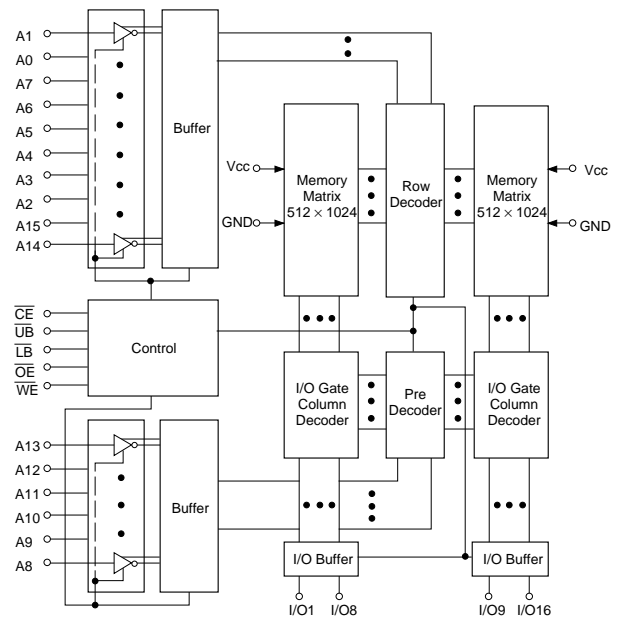
The CXK5T16100TM is a suitable RAM for portable equipment with battery back up.



Features

- Extended operating temperature range: -25 to +85°C
- Wide supply voltage range operation: 2.7 to 3.6V
- Fast access time: (Access time)
 - 3.0V operation 120ns (max.)
 - 3.3V operation 100ns (max.)
- Low power consumption operation:
 - Standby / DC operation
 - 1.6μW (typ.) / 3.3mW (typ.)
 - 100μW (max.) / 11mW (max.)
- Fully static memory ... No clock or timing strobe required
- Equal access and cycle time
- Common data input and output: three state output
- Directly LVTTTL compatible: All inputs and outputs
- Low voltage data retention: 2.0V (min.)
- 400mil 44pin TSOP (type II) package

Block Diagram



Function

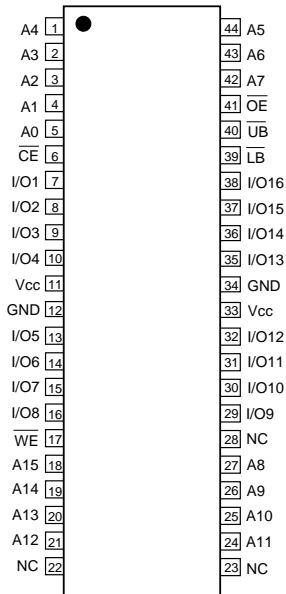
65536-word x 16-bit static RAM

Structure

Silicon gate CMOS IC

Sony reserves the right to change products and specifications without prior notice. This information does not convey any license by any implication or otherwise under any patents or other right. Application circuits shown, if any, are typical examples illustrating the operation of the devices. Sony cannot assume responsibility for any problems arising out of the use of these circuits.

Pin Configuration (Top View)



Pin Description

Symbol	Description
A0 to A15	Address input
I/O1 to I/O16	Data input/output
\overline{CE}	Chip enable input
\overline{LB}	Byte enable input (I/O1 to I/O8)
\overline{UB}	Byte enable input (I/O9 to I/O16)
\overline{WE}	Write enable input
\overline{OE}	Output enable input
Vcc	Power supply
GND	Ground
NC	No connection

Absolute Maximum Ratings

(Ta = 25°C, GND = 0V)

Item	Symbol	Rating	Unit
Supply voltage	Vcc	-0.5 to +4.6	V
Input voltage	V _{IN}	-0.5*1 to Vcc + 0.5	V
Input and output voltage	V _{I/O}	-0.5*1 to Vcc + 0.5	V
Allowable power dissipation	P _D	0.7	W
Operating temperature	Topr	-25 to +85	°C
Storage temperature	Tstg	-55 to +150	°C
Soldering temperature · time	Tsolder	235 · 10	°C · s

*1 V_{IN}, V_{I/O} = -3.0V Min. for pulse width less than 50ns.

Truth Table

\overline{CE}	\overline{OE}	\overline{WE}	\overline{LB}	\overline{UB}	I/O1 to I/O8	I/O9 to I/O16	Vcc Current
H	×	×	×	×	Not selected	Not selected	I _{SB1} , I _{SB2}
L	L	H	L	L	Read	Read	I _{CC1} , I _{CC2} , I _{CC3}
			L	H	Read	High-Z	I _{CC1} , I _{CC2} , I _{CC3}
			H	L	High-Z	Read	I _{CC1} , I _{CC2} , I _{CC3}
L	×	L	L	L	Write	Write	I _{CC1} , I _{CC2} , I _{CC3}
			L	H	Write	Not Write/Hi-Z	I _{CC1} , I _{CC2} , I _{CC3}
			H	L	Not Write/Hi-Z	Write	I _{CC1} , I _{CC2} , I _{CC3}
L	H	H	×	×	High-Z	High-Z	I _{CC1} , I _{CC2} , I _{CC3}
L	×	×	H	H	High-Z	High-Z	I _{CC1} , I _{CC2} , I _{CC3}

×: "H" or "L"

DC Recommended Operating Conditions

(Ta = -25 to +85°C, GND = 0V)

Item	Symbol	Vcc = 2.7 to 3.6V			Vcc = 3.3V ± 0.3V			Unit
		Min.	Typ.	Max.	Min.	Typ.	Max.	
Supply voltage	Vcc	2.7	3.3	3.6	3.0	3.3	3.6	V
Input high voltage	V _{IH}	2.4	—	Vcc + 0.3	2.0	—	Vcc + 0.3	
Input low voltage	V _{IL}	-0.3*1	—	0.4	-0.3*1	—	0.8	

*1 V_{IL} = -3.0V Min. for pulse width less than 50ns.

Electrical Characteristics

DC and operating characteristics

(Vcc = 2.7 to 3.6V, GND = 0V, Ta = -25 to +85°C)

Item	Symbol	Test condition	Min.	Typ.*2	Max.	Unit	
Input leakage current	I _{LI}	V _{IN} = GND to Vcc	-1	—	1	μA	
Output leakage current	I _{LO}	$\overline{CE} = V_{IH}$ or $\overline{UB} = V_{IH}$ or $\overline{LB} = V_{IH}$ or $\overline{OE} = V_{IH}$ or $\overline{WE} = V_{IL}$ V _{I/O} = GND to Vcc	-1	—	1	μA	
Operating power supply current	I _{CC1}	$\overline{CE} = V_{IL}$ V _{IN} = V _{IH} or V _{IL} I _{OUT} = 0mA	—	1	3	mA	
Average operating current	I _{CC2}	Min. cycle Duty = 100% I _{OUT} = 0mA	—	35	50	mA	
	I _{CC3}	Cycle time 1μs Duty = 100% I _{OUT} = 0mA $\overline{CE} \leq 0.2V$ V _{IL} ≤ 0.2V V _{IH} ≥ Vcc - 0.2V	—	10	20	mA	
Standby current	I _{SB1}	$\overline{CE} \geq V_{CC} - 0.2V$	-25 to +85°C	—	—	28	μA
			-25 to +70°C	—	—	14	
			+25°C	—	0.48	—	
	I _{SB2}	$\overline{CE} = V_{IH}$	—	0.03	0.6	mA	
Output high voltage	V _{OH}	I _{OH} = -2.0mA	2.4	—	—	V	
Output low voltage	V _{OL}	I _{OL} = 2.0mA	—	—	0.4	V	

*2 Vcc = 3.3V, Ta = 25°C

I/O capacitance

(Ta = 25°C, f = 1MHz)

Item	Symbol	Test conditions	Min.	Typ.	Max.	Unit
Input capacitance	C _{IN}	V _{IN} = 0V	—	—	8	pF
I/O capacitance	C _{I/O}	V _{I/O} = 0V	—	—	10	pF

Note) This parameter is sampled and is not 100% tested.

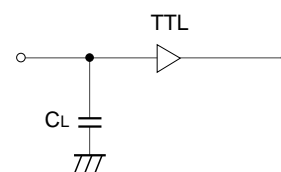
AC Characteristics

• AC test conditions

(Ta = -25 to +85°C)

Item	Conditions	
	V _{CC} = 2.7 to 3.6V	V _{CC} = 3.3V ± 0.3V
Input pulse high level	V _{IH} = 2.4V	V _{IH} = 2.2V
Input pulse low level	V _{IL} = 0.4V	V _{IL} = 0.6V
Input rise time	t _r = 5ns	t _r = 5ns
Input fall time	t _f = 5ns	t _f = 5ns
Input and output reference level	1.4V	1.4V
Output load conditions	C _L *1 = 100pF, 1TTL	C _L *1 = 100pF, 1TTL

*1 C_L includes scope and jig capacitances.



• Read cycle ($\overline{WE} = "H"$)

Item	Symbol	$V_{CC} = 2.7 \text{ to } 3.6\text{V}$		$V_{CC} = 3.3\text{V} \pm 0.3\text{V}$		Unit
		Min.	Max.	Min.	Max.	
Read cycle time	t_{RC}	120	—	100	—	ns
Address access time	t_{AA}	—	120	—	100	ns
Chip enable access time (\overline{CE})	t_{CO}	—	120	—	100	ns
Byte enable access time ($\overline{UB}, \overline{LB}$)	t_{BO}	—	60	—	50	ns
Output enable to output valid	t_{OE}	—	60	—	50	ns
Output hold from address change	t_{OH}	10	—	10	—	ns
Chip enable to output in low Z (\overline{CE})	t_{LZ}	10	—	10	—	ns
Output enable to output in low Z (\overline{OE})	t_{OLZ}	5	—	5	—	ns
Byte enable to output in low Z ($\overline{UB}, \overline{LB}$)	t_{BLZ}	5	—	5	—	ns
Chip disable to output in high Z (\overline{CE})	t_{HZ}^{*1}	—	40	—	40	ns
Chip disable to output in high Z (\overline{OE})	t_{OHZ}^{*1}	—	35	—	35	ns
Byte disable to output in high Z ($\overline{UB}, \overline{LB}$)	t_{BHZ}^{*1}	—	35	—	35	ns

*1 t_{HZ} , t_{OHZ} and t_{BHZ} are defined as the time required for outputs to turn to high impedance state and are not referred to as output voltage levels.

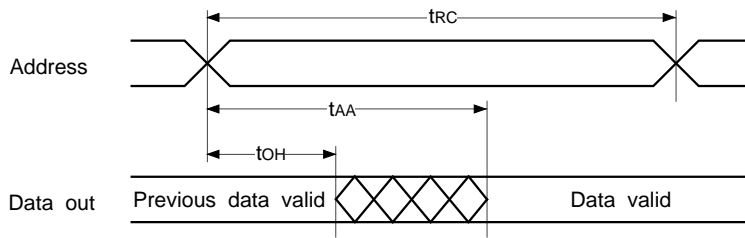
• Write cycle

Item	Symbol	$V_{CC} = 2.7 \text{ to } 3.6\text{V}$		$V_{CC} = 3.3\text{V} \pm 0.3\text{V}$		Unit
		Min.	Max.	Min.	Max.	
Write cycle time	t_{WC}	120	—	100	—	ns
Address valid to end of write	t_{AW}	100	—	80	—	ns
Chip enable to end of write	t_{CW}	100	—	80	—	ns
Byte enable to end of write	t_{BW}	100	—	80	—	ns
Data to write time overlap	t_{DW}	50	—	40	—	ns
Data hold from write time	t_{DH}	0	—	0	—	ns
Write pulse width	t_{WP}	70	—	70	—	ns
Address setup time	t_{AS}	0	—	0	—	ns
Write recovery time (\overline{WE})	t_{WR}	5	—	5	—	ns
Write recovery time ($\overline{CE}, \overline{UB}, \overline{LB}$)	t_{WR1}	5	—	5	—	ns
Output active from end of write	t_{OW}	5	—	5	—	ns
Write to output in high Z	t_{WHZ}^{*2}	—	40	—	40	ns

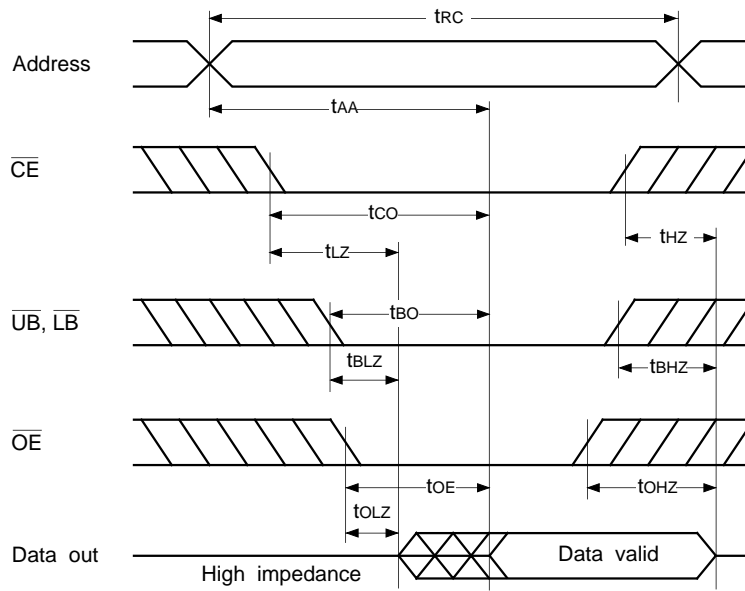
*2 t_{WHZ} is defined as the time required for outputs to turn to high impedance state and is not referred to as output voltage levels.

Timing Waveform

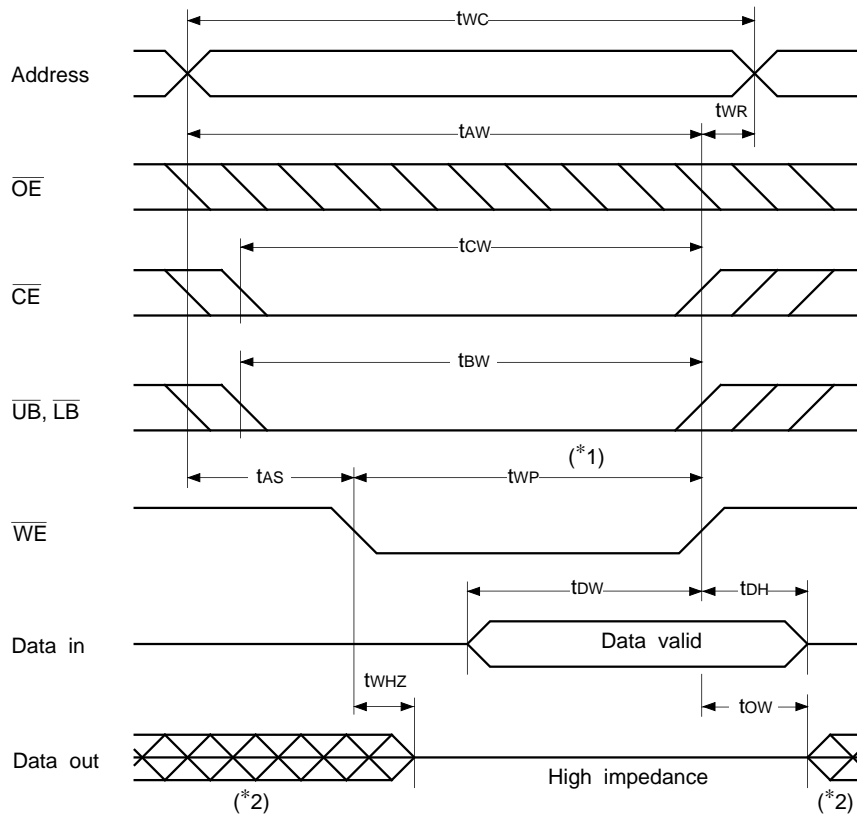
- Read cycle (1) : $\overline{CE} = \overline{OE} = V_{IL}$, $\overline{WE} = V_{IH}$, \overline{UB} and, or $\overline{LB} = V_{IL}$



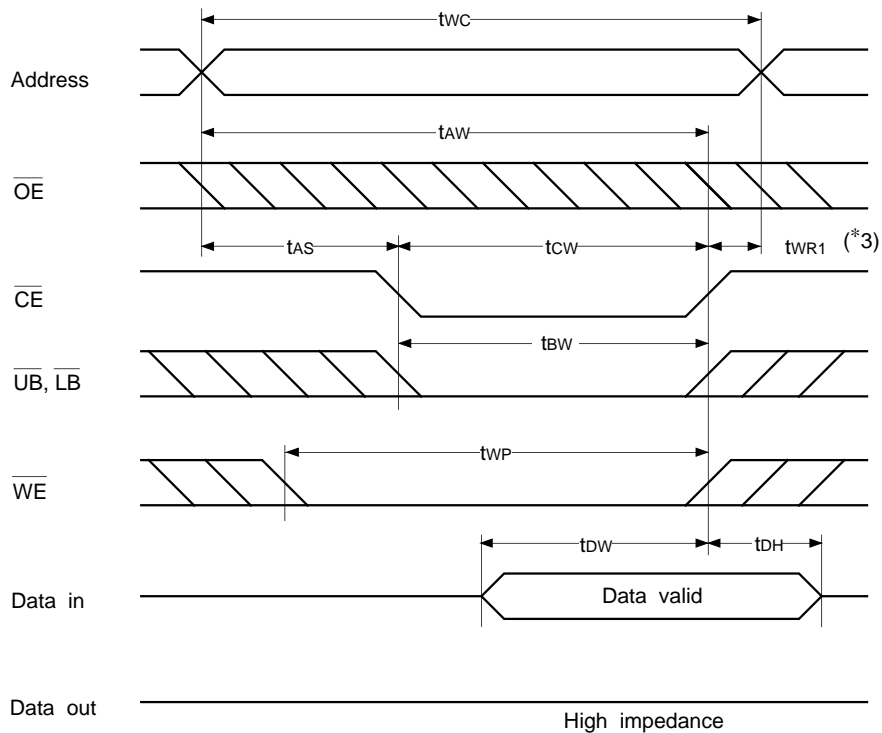
- Read cycle (2) : $\overline{WE} = V_{IH}$



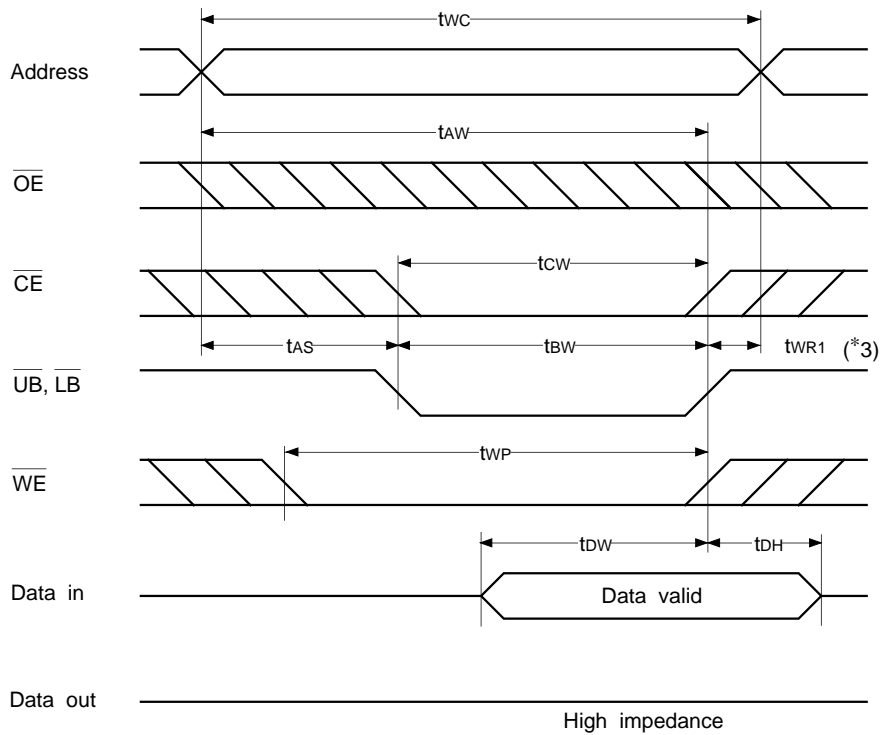
• Write cycle (1) : \overline{WE} control



• Write cycle (2) : \overline{CE} control



• Write cycle (3) : \overline{UB} , \overline{LB} control



*1 Write is executed when all of the \overline{CE} , \overline{WE} and (\overline{UB} and, or \overline{LB}) are at low simultaneously.

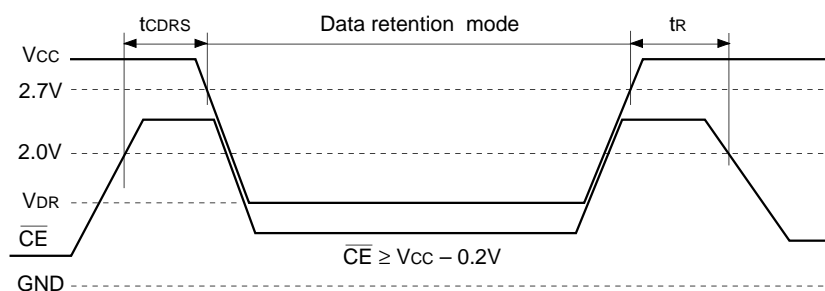
*2 Do not apply the data input voltage of the opposite phase to the output while I/O pin is in output condition.

*3 t_{WR1} (for I/O1 to 8) is tested from either the rising edge of \overline{CE} or \overline{LB} , whichever comes earlier, until the end of the write cycle.

t_{WR1} (for I/O9 to 16) is tested from either the rising edge of \overline{CE} or \overline{UB} , whichever comes earlier, until the end of the write cycle.

Data Retention Waveform

- Low supply voltage data retention waveform



Data Retention Characteristics

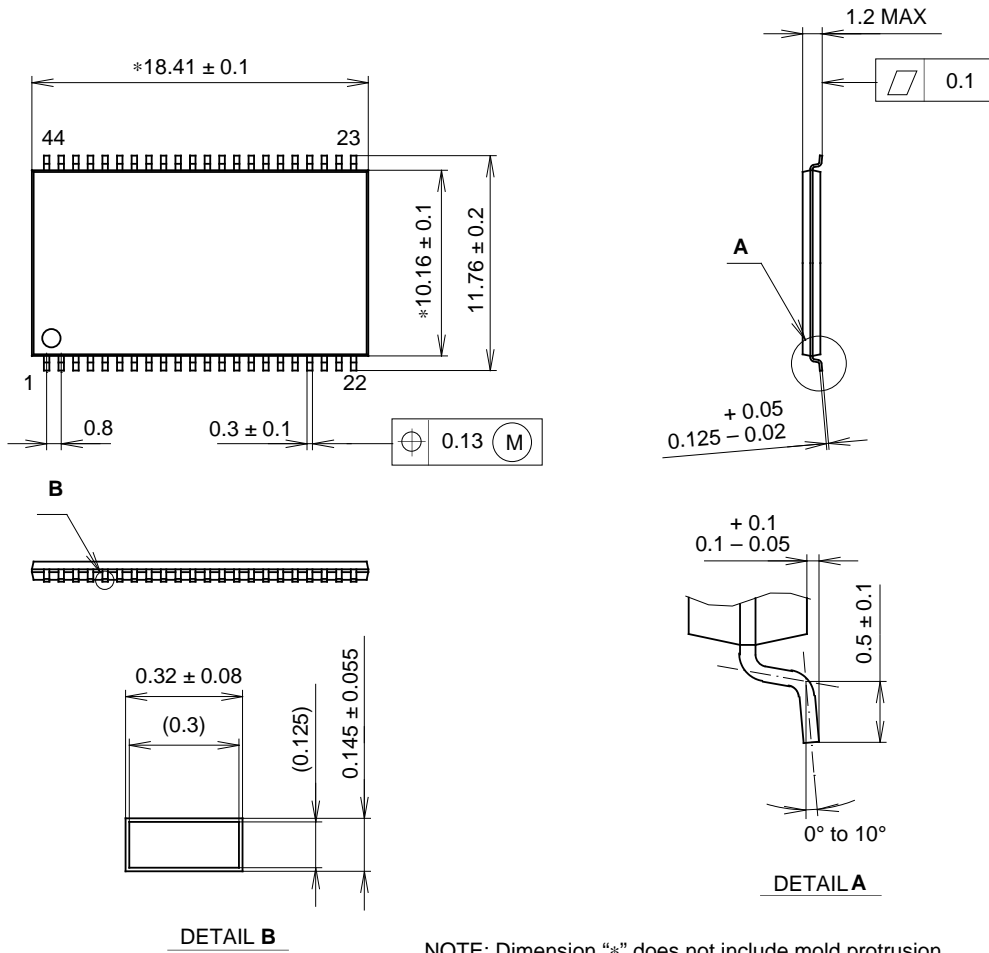
(Ta = -25 to +85°C)

Item	Symbol	Test condition	Min.	Typ.	Max.	Unit	
Data retention voltage	V _{DR}	$\overline{CE} \geq V_{CC} - 0.2V$	2.0	—	3.6	V	
Data retention current	I _{CCDR1}	V _{CC} = 3.0V	-25 to +85°C	—	—	24	μA
			-25 to +70°C	—	—	12	
			+25°C	—	0.4	—	
	I _{CCDR2}	V _{CC} = 2.0 to 3.6V	—	0.48*1	28	μA	
Data retention setup time	t _{CDRS}	Chip disable to data retention mode	0	—	—	ns	
Recovery time	t _R		5	—	—	ms	

*1 V_{CC} = 3.3V, Ta = 25°C

Package Outline Unit : mm

44PIN TSOP (II) (PLASTIC) 400mil



NOTE: Dimension "*" does not include mold protrusion.

PACKAGE STRUCTURE

SONY CODE	TSOP (II) -44P-L01	MOLDING COMPOUND	EPOXY / PHENOL RESIN
EIAJ CODE	TSOP (II) 044-P-0400-A	LEAD TREATMENT	SOLDER PLATING
JEDEC CODE	_____	LEAD MATERIAL	42 ALLOY
		PACKAGE WEIGHT	0.5g