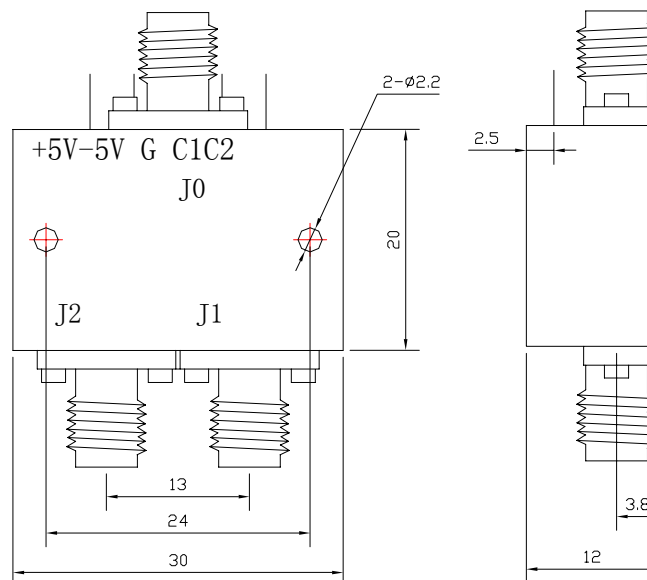


SP2T Switch

P/N: JXWBKG-T-2-2-18-A

Frequency range(GHz)	2~18
Insertion loss(dB)	3.2 max
VSWR	1.8 max
Isolation(dB)	55 min
Switching Speed(ns)	50 max
Power handling(dBm)	27 max
Impedance(ohm)	50
Input/Output Connectors	SMA Female
Power supply(V / mA)	+5 & -5 @ 30 each
Control	TTL
Net Weight(Kg)	0.02 Around

Outline Drawing (Size: mm)



For current data sheets, please contact: sales@aacix.com