

### GENERAL DESCRIPTION

The XR16M670<sup>1</sup> (M670) is an enhanced Universal Asynchronous Receiver and Transmitter (UART) with 32 bytes of transmit and receive FIFOs, selectable transmit and receive FIFO trigger levels, automatic hardware and software flow control, and data rates of up to 16 Mbps at 3.3V, 12.5 Mbps at 2.5V and 7.5 Mbps at 1.8V with 4X data sampling rate.

The Auto RS-485 Half-Duplex Direction control feature simplifies both the hardware and software for half-duplex RS-485 applications. In addition, the Multidrop mode with Auto Address detection increases the performance by simplifying the software routines.

The Independent TX/RX Baud Rate Generator feature allows the transmitter and receiver to operate at different baud rates. Power consumption of the M670 can be minimized by enabling the sleep mode and PowerSave mode.

The M670 has a 16550 compatible register set that provide users with operating status and control, receiver error indications, and modem serial interface controls. An internal loopback capability allows onboard diagnostics. The M670 is available in 24-pin QFN, 32-pin QFN and 25-pin BGA packages. All three packages offer the 16 mode (Intel bus) interface only.

**NOTE:** 1 Covered by U.S. Patent #5,649,122.

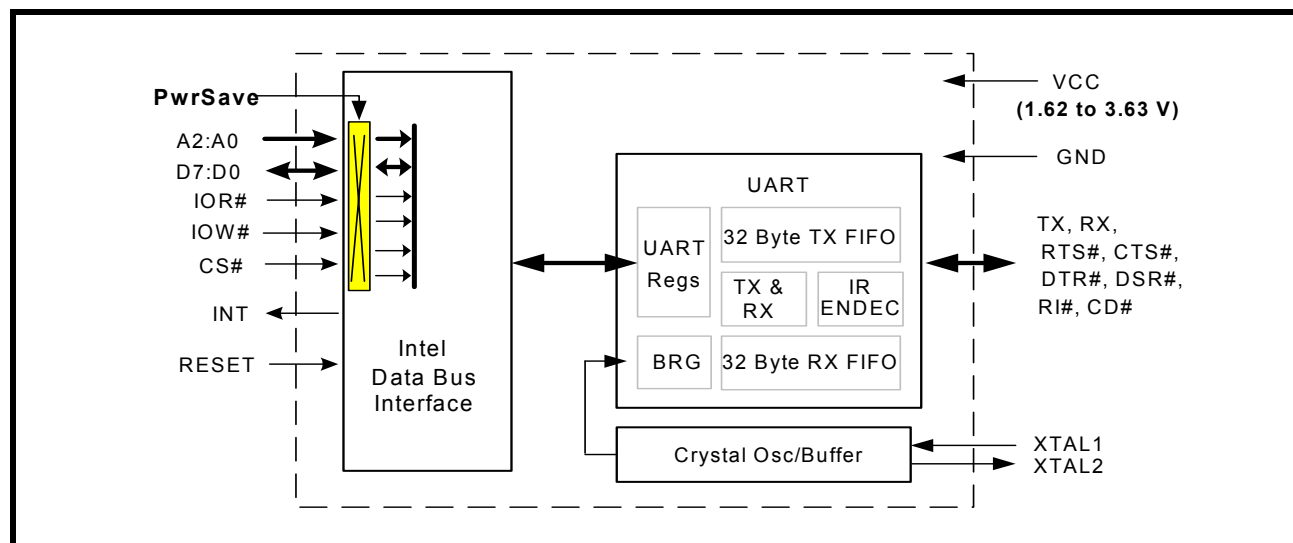
### FEATURES

- Pin-to-pin compatible with XR16L570 in 24-QFN and 32-QFN packages
- Intel data bus Interface
- 16 Mbps maximum data rate
- Selectable TX/RX FIFO Trigger Levels
- TX/RX FIFO Level Counters
- Independent TX/RX Baud Rate Generator
- Fractional Baud Rate Generator
- Auto RTS/CTS Hardware Flow Control
- Auto XON/XOFF Software Flow Control
- Auto RS-485 Half-Duplex Direction Control
- Multidrop mode w/ Auto Address Detect
- Sleep Mode with Automatic Wake-up
- PowerSave mode in 24-pin QFN package
- Infrared (IrDA 1.0 and 1.1) mode
- 1.62V to 3.63V supply operation
- Crystal oscillator or external clock input

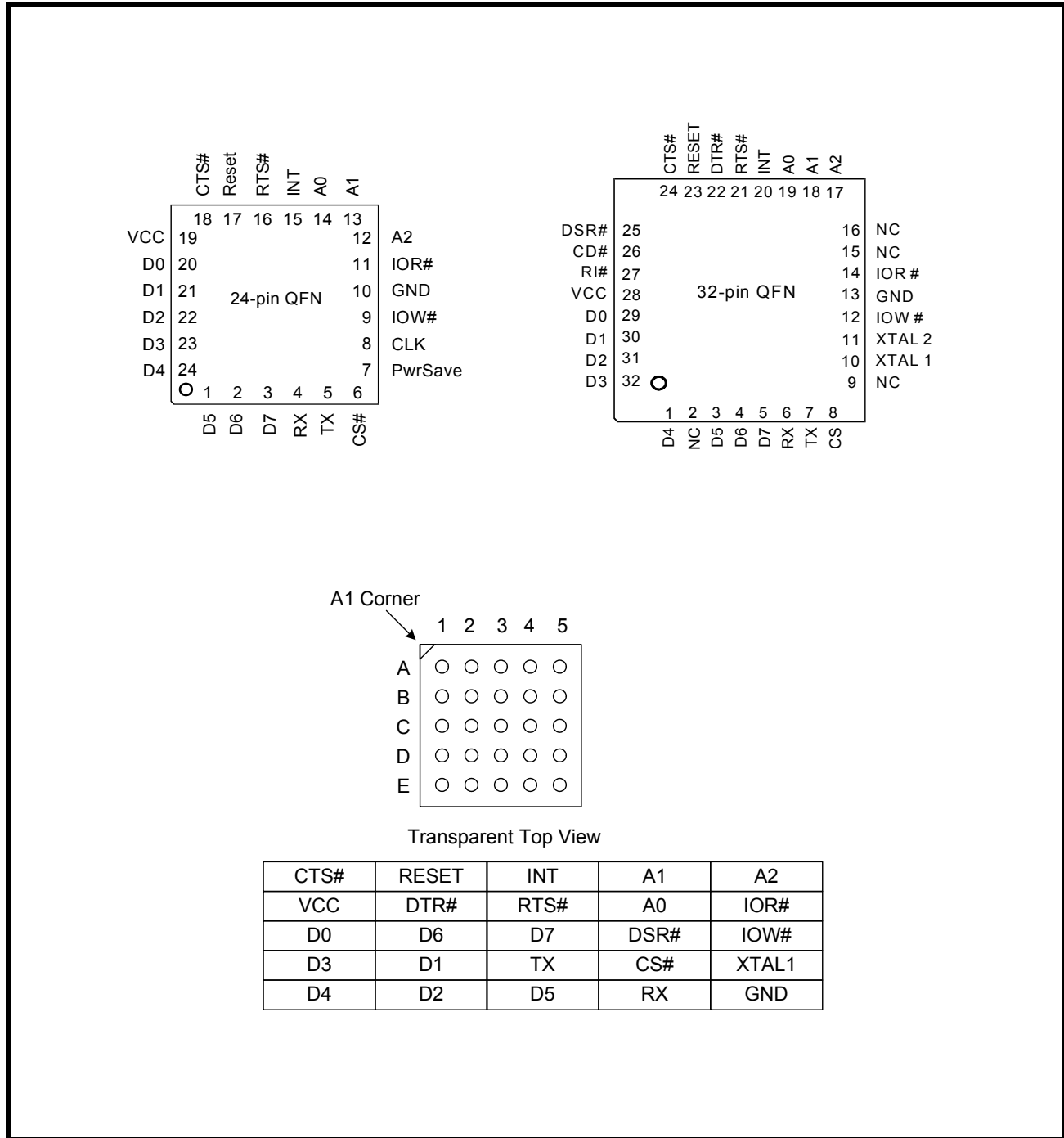
### APPLICATIONS

- Personal Digital Assistants (PDA)
- Cellular Phones/Data Devices
- Battery-Operated Devices
- Global Positioning System (GPS)
- Bluetooth

**FIGURE 1. XR16M670 BLOCK DIAGRAM**



**FIGURE 2. PIN OUT ASSIGNMENT FOR 24-PIN QFN, 32-PIN QFN AND 25-BGA PACKAGES**



**ORDERING INFORMATION**

| PART NUMBER  | PACKAGE    | OPERATING TEMPERATURE RANGE | DEVICE STATUS |
|--------------|------------|-----------------------------|---------------|
| XR16M670IL24 | 24-Pin QFN | -40°C to +85°C              | Active        |
| XR16M670IL32 | 32-Pin QFN | -40°C to +85°C              | Active        |
| XR16M670IB25 | 25-Pin BGA | -40°C to +85°C              | Active        |



**PIN DESCRIPTIONS**

**Pin Description**

| NAME                                 | 24-QFN<br>PIN# | 32-QFN<br>PIN# | 25-BGA<br>PIN# | TYPE | DESCRIPTION  |
|--------------------------------------|----------------|----------------|----------------|------|--|
| <b>DATA BUS INTERFACE</b>            |                |                |                |      |  |
| A2                                   | 12             | 17             | A5             | I    | Address lines [2:0]. These 3 address lines select the internal registers in UART during a data bus transaction.  |
| A1                                   | 13             | 18             | A4             |      |  |
| A0                                   | 14             | 19             | B4             |      |  |
| D7                                   | 3              | 5              | C3             | I/O  | Data bus lines [7:0] (bidirectional).  |
| D6                                   | 2              | 4              | C2             |      |  |
| D5                                   | 1              | 3              | E3             |      |  |
| D4                                   | 24             | 1              | E1             |      |  |
| D3                                   | 23             | 32             | D1             |      |  |
| D2                                   | 22             | 31             | E2             |      |  |
| D1                                   | 21             | 30             | D2             |      |  |
| D0                                   | 20             | 29             | C1             |      |  |
| IOR#                                 | 11             | 14             | B5             | I    | This input is read strobe (active low). The falling edge instigates an internal read cycle and retrieves the data byte from an internal register pointed by the address lines [A2:A0], puts the data byte on the data bus to allow the host processor to read it on the rising edge.   |
| IOW#                                 | 9              | 12             | C5             | I    | This input is write strobe (active low). The falling edge instigates the internal write cycle and the rising edge transfers the data byte on the data bus to an internal register pointed by the address lines.  |
| CS#                                  | 6              | 8              | D4             | I    | This input is chip select (active low) to enable the device.   |
| INT                                  | 15             | 20             | A3             | O    | This output is the active high device interrupt output. The output state is defined by the user through the software setting of MCR[3]. INT is set to the active mode when MCR[3] is set to a logic 1. INT is set to the three state mode when MCR[3] is set to a logic 0. See MCR[3].   |
| <b>MODEM OR SERIAL I/O INTERFACE</b> |                |                |                |      |  |
| TX                                   | 5              | 7              | D3             | O    | UART Transmit Data or infrared encoder data. Standard transmit and receive interface is enabled when MCR[6] = 0. In this mode, the TX signal will be a logic 1 during reset or idle (no data). Infrared IrDA transmit and receive interface is enabled when MCR[6] = 1. In the Infrared mode, the inactive state (no data) for the Infrared encoder/decoder interface is a logic 0. If it is not used, leave it unconnected. |
| RX                                   | 4              | 6              | E4             | I    | UART Receive Data or infrared receive data. Normal receive data input must idle at logic 1 condition. The infrared receiver idles at logic 0. This input should be connected to VCC when not used.   |
| RTS#                                 | 16             | 21             | B3             | O    | UART Request-to-Send (active low) or general purpose output. This output must be asserted prior to using auto RTS flow control, see EFR[6], MCR[1] and IER[6].   |
| CTS#                                 | 18             | 24             | A1             | I    | UART Clear-to-Send (active low) or general purpose input. It can be used for auto CTS flow control, see EFR[7], MSR[4] and IER[7]. This input should be connected to VCC when not used.  |
| DTR#                                 | -              | 22             | B2             | O    | UART Data-Terminal-Ready (active low) or general purpose output.   |

## Pin Description

| NAME                     | 24-QFN<br>PIN# | 32-QFN<br>PIN# | 25-BGA<br>PIN# | TYPE | DESCRIPTION   |
|--------------------------|----------------|----------------|----------------|------|---|
| DSR#                     | -              | 25             | C4             | I    | UART Data-Set-Ready (active low) or general purpose input. This input should be connected to VCC when not used.   |
| CD#                      | -              | 26             | -              | I    | UART Carrier-Detect (active low) or general purpose input. This input should be connected to VCC when not used.   |
| RI#                      | -              | 27             | -              | I    | UART Ring-Indicator (active low) or general purpose input. This input should be connected to VCC when not used.   |
| <b>ANCILLARY SIGNALS</b> |                |                |                |      |   |
| XTAL1                    | 8              | 10             | D5             | I    | Crystal or external clock input.  |
| XTAL2                    | -              | 11             | -              | O    | Crystal or buffered clock output.   |
| PwrSave                  | 7              | -              | -              | I    | Power-Save (active high). This feature isolates the M670's data bus interface from the host preventing other bus activities that cause higher power drain during sleep mode. See Sleep Mode with Auto Wake-up and Power-Save Feature section for details. This pin does not have a pull-down resistor. This input should be connected to GND when not used. |
| RESET                    | 17             | 23             | A2             | I    | This input is active high. A 40 ns minimum active pulse on this pin will reset the internal registers and all outputs of the UART. The UART transmitter output will be held at logic 1, the receiver input will be ignored and outputs are reset during reset period (see UART Reset Conditions).   |
| VCC                      | 19             | 28             | B1             | Pwr  | 1.62V to 3.63V power supply.  |
| GND                      | 10             | 13             | E5             | Pwr  | Power supply common, ground.  |
| GND                      | Center Pad     | Center Pad     | -              | Pwr  | The center pad on the backside of the QFN package is metallic and should be connected to GND on the PCB. The thermal pad size on the PCB should be the approximate size of this center pad and should be solder mask defined. The solder mask opening should be at least 0.0025" inwards from the edge of the PCB thermal pad.                              |
| NC                       | -              | 2, 9, 15, 16   | -              | -    | No Connects.  |

Pin type: I=Input, O=Output, I/O= Input/output.

## 1.0 PRODUCT DESCRIPTION

The XR16M670 (M670) is a high performance single channel UART. The configuration registers set is 16550 UART compatible for control, status and data transfer. Additionally, the M670 channel has 32 bytes of transmit and receive FIFOs, Automatic RTS/CTS Hardware Flow Control, Automatic Xon/Xoff and Special Character Software Flow Control, infrared encoder and decoder (IrDA ver 1.0 and 1.1), programmable fractional baud rate generator with a prescaler of divide by 1 or 4, and data rate up to 16 Mbps. The XR16M670 can operate from 1.62 to 3.63 volts. The M670 is fabricated with an advanced CMOS process.

### Larger FIFO

The M670 provides a solution that supports 32 bytes of transmit and receive FIFO memory, instead of 16 bytes in the XR16L580. The M670 is designed to work with high performance data communication systems, that requires fast data processing time. Increased performance is realized in the M670 by the larger transmit and receive FIFOs, FIFO trigger level control and automatic flow control mechanism. This allows the external processor to handle more networking tasks within a given time. For example, the XR16L580 with a 16 byte FIFO, unloads 16 bytes of receive data in 1.53 ms (This example uses a character length of 11 bits, including start/stop bits at 115.2Kbps). This means the external CPU will have to service the receive FIFO at 1.53 ms intervals. However with the 32 byte FIFO in the M670, the data buffer will not require unloading/loading for 6.1 ms. This increases the service interval giving the external CPU additional time for other applications and reducing the overall UART interrupt servicing time. In addition, the selectable FIFO level trigger interrupt and automatic hardware/software flow control is uniquely provided for maximum data throughput performance especially when operating in a multi-channel system. The combination of the above greatly reduces the CPU's bandwidth requirement, increases performance, and reduces power consumption.

### Data Rate

The M670 is capable of operation up to 16 Mbps at 3.3V with 4X internal sampling clock rate. The device can operate at 3.3V with a 24 MHz crystal on pins XTAL1 and XTAL2, or external clock source of 64 MHz on XTAL1 pin. With a typical crystal of 14.7456 MHz and through a software option, the user can set the prescaler bit and sampling rate for data rates of up to 3.68 Mbps.

### Enhanced Features

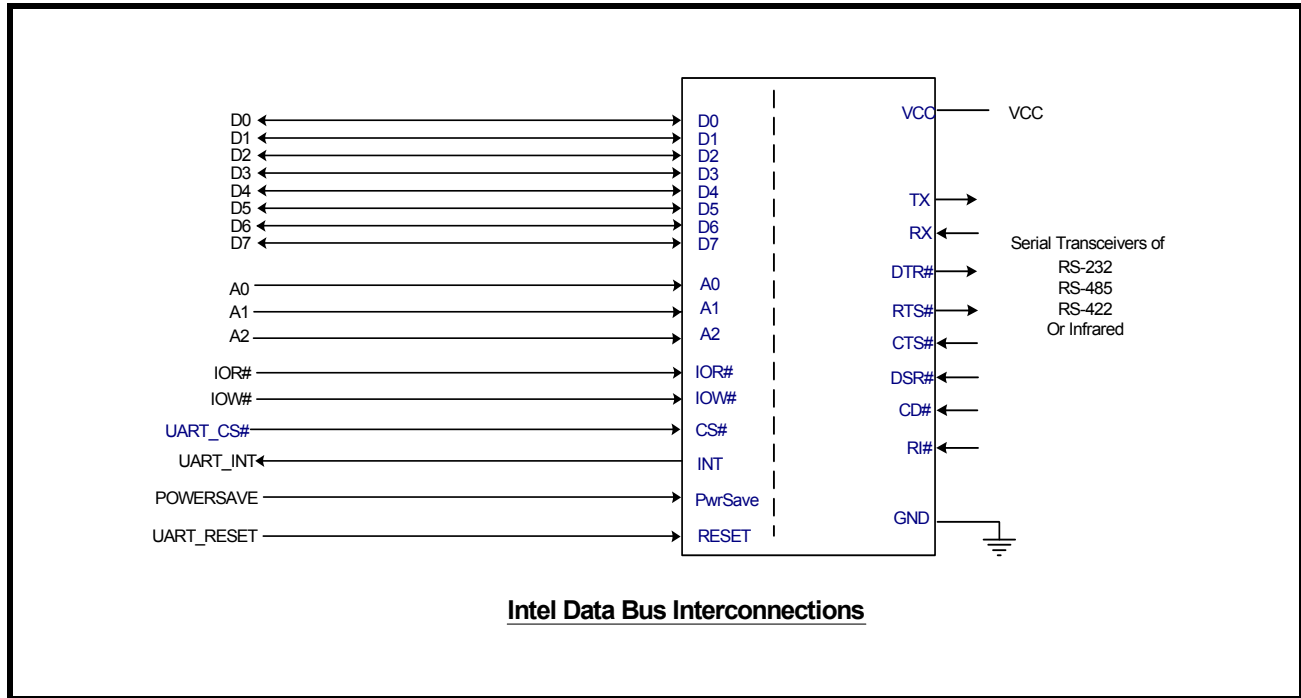
The rich feature set of the M670 is available through the internal registers. Automatic hardware/software flow control, selectable transmit and receive FIFO trigger levels, selectable baud rates, infrared encoder/decoder, modem interface controls, and a sleep mode are all standard features. MCR bit-5 provides a facility for turning off (Xon) software flow control with any incoming (RX) character. The M670 includes new features such as 9-bit (Multidrop) mode, auto RS-485 half-duplex direction control, different baud rate for TX and RX, fast IR mode and fractional baud rate generator.

2.0 FUNCTIONAL DESCRIPTIONS

2.1 CPU Interface

The CPU interface is 8 data bits wide with 3 address lines and control signals to execute data bus read and write transactions. The M670 data interface supports the Intel compatible types of CPUs. No clock (oscillator nor external clock) is required for a data bus transaction. Each bus cycle is asynchronous using CS#, IOR# and IOW# inputs. A typical data bus interconnection for Intel mode is shown in **Figure 3**.

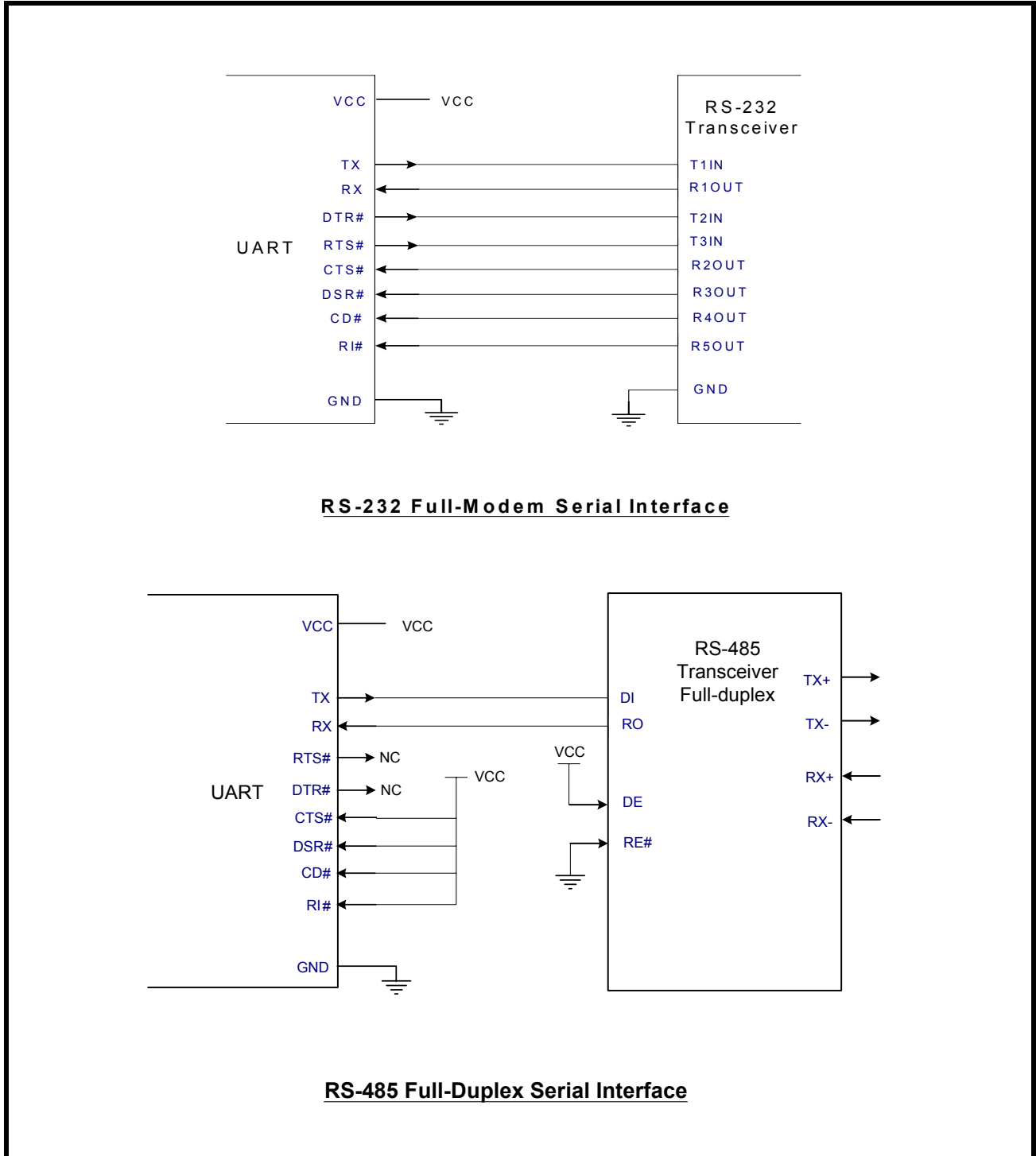
FIGURE 3. XR16M670 TYPICAL INTEL DATA BUS INTERCONNECTIONS



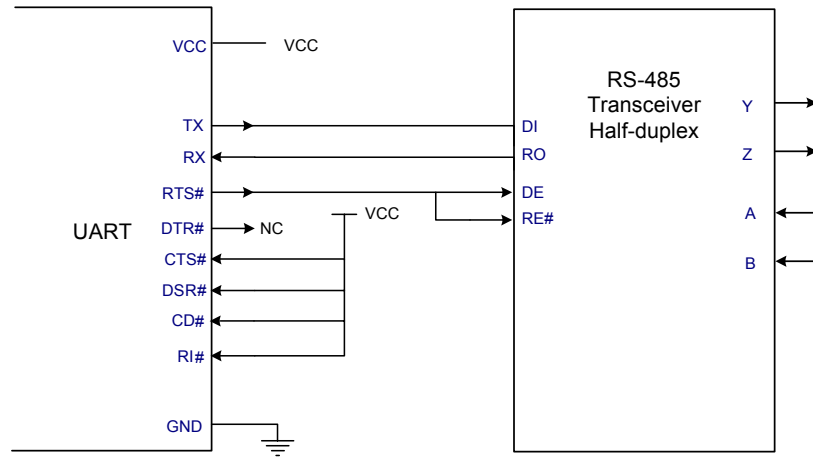
**2.2 Serial Interface**

The M670 is typically used with RS-232, RS-485 and IR transceivers. The following figure shows typical connections from the UART to the different transceivers. For more information on RS-232 and RS-485/422, check [www.exar.com](http://www.exar.com) or contact with [uarttechsupport@exar.com](mailto:uarttechsupport@exar.com).

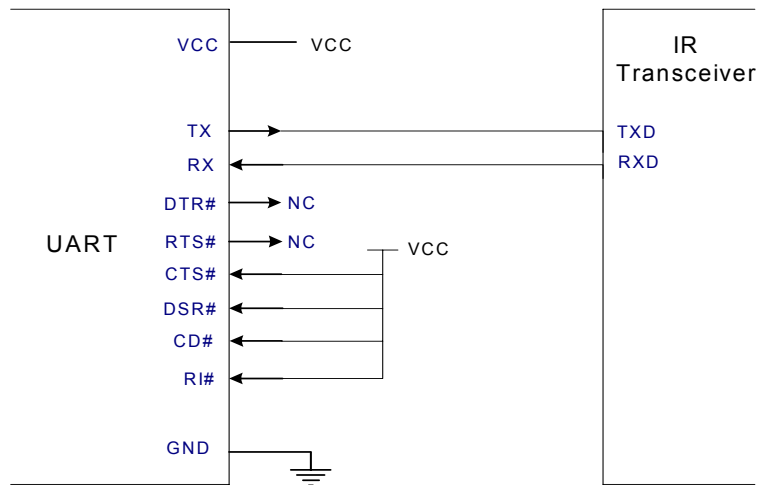
**FIGURE 4. XR16M670 TYPICAL SERIAL INTERFACE CONNECTIONS**



**FIGURE 5. XR16M670 TYPICAL SERIAL INTERFACE CONNECTIONS**



**RS-485 Half-Duplex Serial Interface**



**Infrared Connection**



### 2.3 Device Reset

The RESET input resets the internal registers and the serial interface outputs to their default state (see [Table 16](#)). An active high pulse of longer than 40 ns duration will be required to activate the reset function in the device. Following a power-on reset or an external reset, the M670 is software compatible with previous generation of UARTs, XR16L570 and ST16C550.

### 2.4 Internal Registers

The M670 has a set of 16550 compatible registers for controlling, monitoring and data loading and unloading. These registers function as data holding registers (THR/RHR), interrupt status and control registers (ISR/IER), a FIFO control register (FCR), receive line status and control registers (LSR/LCR), modem status and control registers (MSR/MCR), programmable data rate (clock) divisor registers (DLL/DLM/DLD), and a user accessible scratchpad register (SPR).

Beyond the general 16C550 features and capabilities, the M670 offers enhanced feature registers (EFR, Xon1/Xoff 1, Xon2/Xoff 2, DLD, FCTR, EMSR and FC) that provide automatic RTS and CTS hardware flow control, automatic Xon/Xoff software flow control, 9-bit (Multidrop) mode, auto RS-485 half duplex control, different baud rate for TX and RX and fractional baud rate generator. All the register functions are discussed in full detail later in [“Section 3.0, UART INTERNAL REGISTERS” on page 23](#).

### 2.5 INT Output

The interrupt outputs change according to the operating mode and enhanced features setup. [Table 1 and 2](#) summarize the operating behavior for the transmitter and receiver. Also see [Figure 19](#) through [22](#).

**TABLE 1: INT PIN OPERATION FOR TRANSMITTER**

|         | <b>FCR BIT-0 = 0 (FIFO DISABLED)</b>      | <b>FCR BIT-0 = 1 (FIFO ENABLED)</b>   |
|---------|---|---|
| INT Pin | LOW = One byte in THR<br>HIGH = THR empty | LOW = FIFO above trigger level<br>HIGH = FIFO below trigger level or FIFO empty |

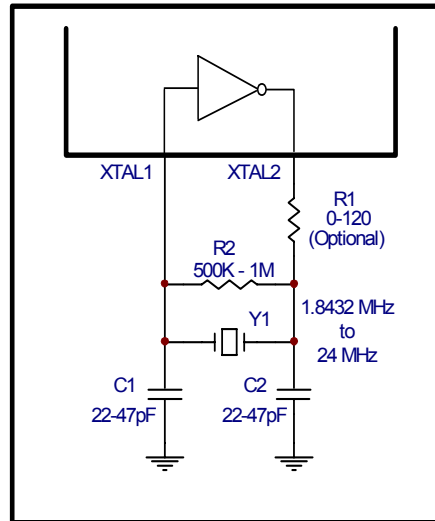
**TABLE 2: INT PIN OPERATION FOR RECEIVER**

|         | <b>FCR BIT-0 = 0 (FIFO DISABLED)</b>      | <b>FCR BIT-0 = 1 (FIFO ENABLED)</b>  |
|---------|---|--|
| INT Pin | HIGH = One byte in RHR<br>LOW = RHR empty | LOW = FIFO below trigger level<br>HIGH = FIFO above trigger level or RX Data Timeout |

## 2.6 Crystal Oscillator or External Clock Input

The M670 includes an on-chip oscillator to produce a clock for the baud rate generators in the device when a crystal is connected between XTAL1 and XTAL2 as show below. The CPU data bus does not require this clock for bus operation. The crystal oscillator provides a system clock to the Baud Rate Generators (BRGs) in the UART. XTAL1 is the input to the oscillator or external clock buffer input with XTAL2 pin being the output. For programming details, see **“Section 2.7, Programmable Baud Rate Generator with Fractional Divisor” on page 11.**

FIGURE 6. TYPICAL CRYSTAL CONNECTIONS



The on-chip oscillator is designed to use an industry standard microprocessor crystal (parallel resonant, fundamental frequency with 10-22 pF capacitance load, ESR of 20-120 ohms and 100ppm frequency tolerance) connected externally between the XTAL1 and XTAL2 pins. Typical oscillator connections are shown in **Figure 6**. Alternatively, an external clock can be connected to the XTAL1 pin to clock the internal baud rate generator for standard or custom rates. The BGA package has XTAL1 only, the external clock is required. For further reading on oscillator circuit, see application note DAN108 on EXAR's web site.

## 2.7 Programmable Baud Rate Generator with Fractional Divisor

The M670 has independent Baud Rate Generators (BRGs) with prescalers for the transmitter and receiver. The prescalers are controlled by a software bit in the MCR register. The MCR register bit-7 sets the prescaler to divide the input crystal or external clock by 1 or 4. The output of the prescaler clocks to the BRG. The BRG further divides this clock by a programmable divisor between 1 and ( $2^{16} - 0.0625$ ) in increments of 0.0625 (1/16) to obtain a 16X or 8X or 4X sampling clock of the serial data rate. The sampling clock is used by the transmitter for data bit shifting and receiver for data sampling. For transmitter and receiver, the M670 provides respective BRG divisors. The BRG divisor (DLL, DLM, and DLD registers) defaults to the value of '1' (DLL = 0x01, DLM = 0x00 and DLD = 0x00) upon reset. Therefore, the BRG must be programmed during initialization to the operating data rate. The DLL and DLM registers provide the integer part of the divisor and the DLD registers provides the fractional part of the divisor. The four lower bits of the DLD are used to select a value from 0 (for setting 0000) to 0.9375 or 15/16 (for setting 1111). Programming the Baud Rate Generator Registers DLL, DLM and DLD provides the capability for selecting the operating data rate. **Table 3** shows the standard data rates available with a 24MHz crystal or external clock at 16X clock rate. If the pre-scaler is used (MCR bit-7 = 1), the output data rate will be 4 times less than that shown in **Table 3**. At 8X sampling rate, these data rates would double. And at 4X sampling rate, they would quadruple. Also, when using 8X sampling mode, please note that the bit-time will have a jitter (+/- 1/16) whenever the DLD is non-zero and is an odd number. When using a non-standard data rate crystal or external clock, the divisor value can be calculated with the following equation(s):

|   |
|---|
| Required Divisor (decimal)=(XTAL1 clock frequency / prescaler) / (serial data rate x 16), with 16X mode, <b>DLD[5:4]='00'</b> |
| Required Divisor (decimal)= (XTAL1 clock frequency / prescaler / (serial data rate x 8), with 8X mode, <b>DLD[5:4] = '01'</b> |
| Required Divisor (decimal)= (XTAL1 clock frequency / prescaler / (serial data rate x 4), with 4X mode, <b>DLD[5:4] = '10'</b> |

The closest divisor that is obtainable in the M670 can be calculated using the following formula:

|  |
|--|
| $\text{ROUND}((\text{Required Divisor} - \text{TRUNC}(\text{Required Divisor})) * 16) / 16 + \text{TRUNC}(\text{Required Divisor}), \text{ where}$ $\text{DLM} = \text{TRUNC}(\text{Required Divisor}) \gg 8$ $\text{DLL} = \text{TRUNC}(\text{Required Divisor}) \& 0xFF$ $\text{DLD} = \text{ROUND}((\text{Required Divisor} - \text{TRUNC}(\text{Required Divisor})) * 16)$ |
|--|

In the formulas above, please note that:

TRUNC (N) = Integer Part of N. For example, TRUNC (5.6) = 5.

ROUND (N) = N rounded towards the closest integer. For example, ROUND (7.3) = 7 and ROUND (9.9) = 10.

A >> B indicates right shifting the value 'A' by 'B' number of bits. For example, 0x78A3 >> 8 = 0x0078.

### 2.7.1 Independent TX/RX BRG

The XR16M670 has two independent sets of TX and RX baud rate generator. Please see the **Figure 7**. TX and RX can work in different baud rate by setting DLD, DLL and DLM register. For example, TX can transmit data to the remote UART at 9600 bps while RX receives data from remote UART at 921.6 Kbps. For the baud rate setting, please **See "Section 4.13, Baud Rate Generator Registers (DLL, DLM and DLD) - Read/Write" on page 36.**

FIGURE 7. BAUD RATE GENERATOR

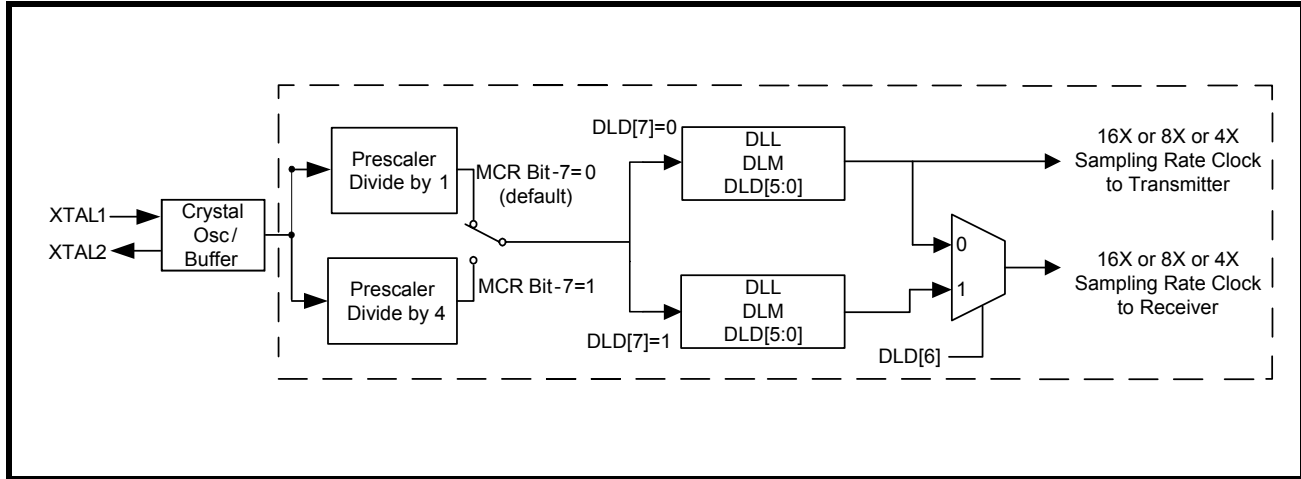


TABLE 3: TYPICAL DATA RATES WITH A 24 MHz CRYSTAL OR EXTERNAL CLOCK AT 16X SAMPLING

| Required Output Data Rate | DIVISOR FOR 16x Clock (Decimal) | DIVISOR OBTAINABLE IN M670 | DLM PROGRAM VALUE (HEX) | DLL PROGRAM VALUE (HEX) | DLD PROGRAM VALUE (HEX) | DATA ERROR RATE (%) |
|---------------------------|---------------------------------|----------------------------|-------------------------|-------------------------|-------------------------|---------------------|
| 400                       | 3750                            | 3750                       | E                       | A6                      | 0                       | 0                   |
| 2400                      | 625                             | 625                        | 2                       | 71                      | 0                       | 0                   |
| 4800                      | 312.5                           | 312 8/16                   | 1                       | 38                      | 8                       | 0                   |
| 9600                      | 156.25                          | 156 4/16                   | 0                       | 9C                      | 4                       | 0                   |
| 10000                     | 150                             | 150                        | 0                       | 96                      | 0                       | 0                   |
| 19200                     | 78.125                          | 78 2/16                    | 0                       | 4E                      | 2                       | 0                   |
| 25000                     | 60                              | 60                         | 0                       | 3C                      | 0                       | 0                   |
| 28800                     | 52.0833                         | 52 1/16                    | 0                       | 34                      | 1                       | 0.04                |
| 38400                     | 39.0625                         | 39 1/16                    | 0                       | 27                      | 1                       | 0                   |
| 50000                     | 30                              | 30                         | 0                       | 1E                      | 0                       | 0                   |
| 57600                     | 26.0417                         | 26 1/16                    | 0                       | 1A                      | 1                       | 0.08                |
| 75000                     | 20                              | 20                         | 0                       | 14                      | 0                       | 0                   |
| 100000                    | 15                              | 15                         | 0                       | F                       | 0                       | 0                   |
| 115200                    | 13.0208                         | 13                         | 0                       | D                       | 0                       | 0.16                |
| 153600                    | 9.7656                          | 9 12/16                    | 0                       | 9                       | C                       | 0.16                |
| 200000                    | 7.5                             | 7 8/16                     | 0                       | 7                       | 8                       | 0                   |
| 225000                    | 6.6667                          | 6 11/16                    | 0                       | 6                       | B                       | 0.31                |
| 230400                    | 6.5104                          | 6 8/16                     | 0                       | 6                       | 8                       | 0.16                |
| 250000                    | 6                               | 6                          | 0                       | 6                       | 0                       | 0                   |
| 300000                    | 5                               | 5                          | 0                       | 5                       | 0                       | 0                   |
| 400000                    | 3.75                            | 3 12/16                    | 0                       | 3                       | C                       | 0                   |
| 460800                    | 3.2552                          | 3 4/16                     | 0                       | 3                       | 4                       | 0.16                |
| 500000                    | 3                               | 3                          | 0                       | 3                       | 0                       | 0                   |
| 750000                    | 2                               | 2                          | 0                       | 2                       | 0                       | 0                   |
| 921600                    | 1.6276                          | 1 10/16                    | 0                       | 1                       | A                       | 0.16                |
| 1000000                   | 1.5                             | 1 8/16                     | 0                       | 1                       | 8                       | 0                   |

**2.8 Transmitter**

The transmitter section comprises of an 8-bit Transmit Shift Register (TSR) and 32 bytes of FIFO which includes a byte-wide Transmit Holding Register (THR). TSR shifts out every data bit with the 16X/8X/4X internal clock. A bit time is 16/8/4 clock periods. The transmitter sends the start-bit followed by the number of data bits, inserts the proper parity-bit if enabled, and adds the stop-bit(s). The status of the FIFO and TSR are reported in the Line Status Register (LSR bit-5 and bit-6).

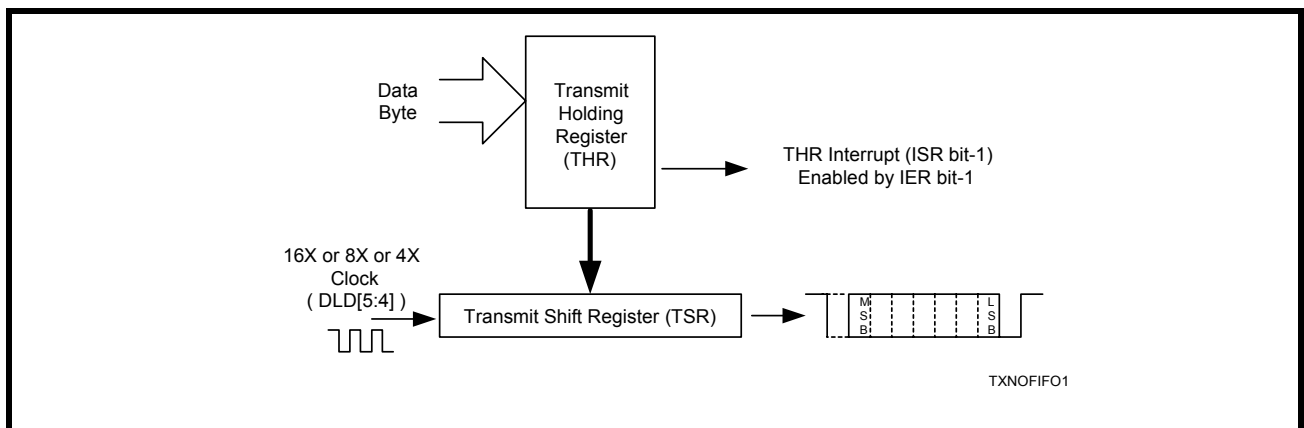
**2.8.1 Transmit Holding Register (THR) - Write Only**

The transmit holding register is an 8-bit register providing a data interface to the host processor. The host writes transmit data byte to the THR to be converted into a serial data stream including start-bit, data bits, parity-bit and stop-bit(s). The least-significant-bit (Bit-0) becomes first data bit to go out. The THR is the input register to the transmit FIFO of 32 bytes when FIFO operation is enabled by FCR bit-0. Every time a write operation is made to the THR, the FIFO data pointer is automatically bumped to the next sequential data location.

**2.8.2 Transmitter Operation in non-FIFO Mode**

The host loads transmit data to THR one character at a time. The THR empty flag (LSR bit-5) is set when the data byte is transferred to TSR. THR flag can generate a transmit empty interrupt (ISR bit-1) when it is enabled by IER bit-1. The TSR flag (LSR bit-6) is set when TSR becomes completely empty.

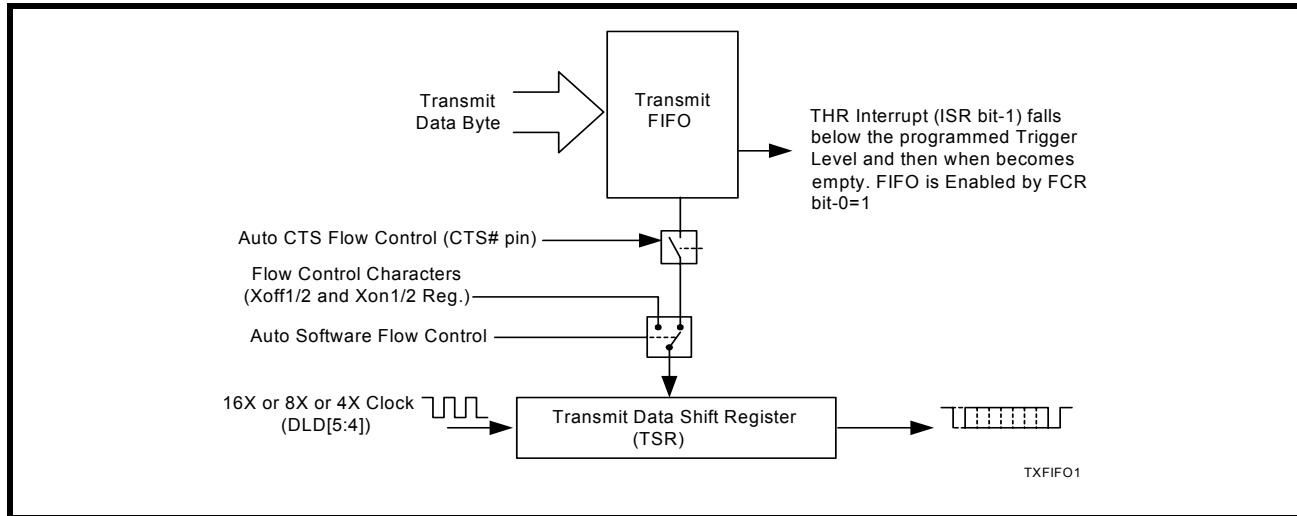
**FIGURE 8. TRANSMITTER OPERATION IN NON-FIFO MODE**



### 2.8.3 Transmitter Operation in FIFO Mode

The host may fill the transmit FIFO with up to 32 bytes of transmit data. The THR empty flag (LSR bit-5) is set whenever the FIFO is empty. The THR empty flag can generate a transmit empty interrupt (ISR bit-1) when the FIFO becomes empty. The transmit empty interrupt is enabled by IER bit-1. The TSR flag (LSR bit-6) is set when TSR/FIFO becomes empty.

FIGURE 9. TRANSMITTER OPERATION IN FIFO AND FLOW CONTROL MODE



## 2.9 Receiver

The receiver section contains an 8-bit Receive Shift Register (RSR) and 32 bytes of FIFO which includes a byte-wide Receive Holding Register (RHR). The RSR uses the 16X/8X/4X clock (DLD[5:4]) for timing. It verifies and validates every bit on the incoming character in the middle of each data bit. On the falling edge of a start or false start bit, an internal receiver counter starts counting at the 16X/8X/4X clock rate. After 8 clocks (or 4 if 8X or 2 if 4X) the start bit period should be at the center of the start bit. At this time the start bit is sampled and if it is still a logic 0 it is validated. Evaluating the start bit in this manner prevents the receiver from assembling a false character. The rest of the data bits and stop bits are sampled and validated in this same manner to prevent false framing. If there were any error(s), they are reported in the LSR register bits 2-4. Upon unloading the receive data byte from RHR, the receive FIFO pointer is bumped and the error tags are immediately updated to reflect the status of the data byte in RHR register. RHR can generate a receive data ready interrupt upon receiving a character or delay until it reaches the FIFO trigger level. Furthermore, data delivery to the host is guaranteed by a receive data ready time-out interrupt when data is not received for 4 word lengths as defined by LCR[1:0] plus 12 bits time. This is equivalent to 3.7-4.6 character times. The RHR interrupt is enabled by IER bit-0. See [Figure 10](#) and [Figure 11](#) below.

### 2.9.1 Receive Holding Register (RHR) - Read-Only

The Receive Holding Register is an 8-bit register that holds a receive data byte from the Receive Shift Register. It provides the receive data interface to the host processor. The RHR register is part of the receive FIFO of 32 bytes by 11-bits wide, the 3 extra bits are for the 3 error tags to be reported in LSR register. When the FIFO is enabled by FCR bit-0, the RHR contains the first data character received by the FIFO. After the RHR is read, the next character byte is loaded into the RHR and the errors associated with the current data byte are immediately updated in the LSR bits 2-4.

FIGURE 10. RECEIVER OPERATION IN NON-FIFO MODE

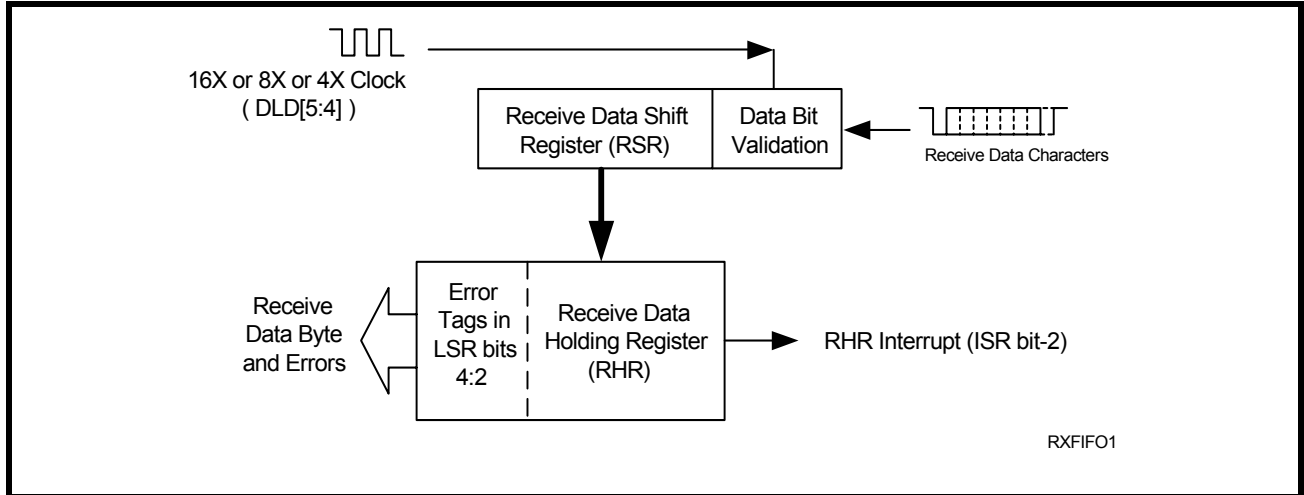
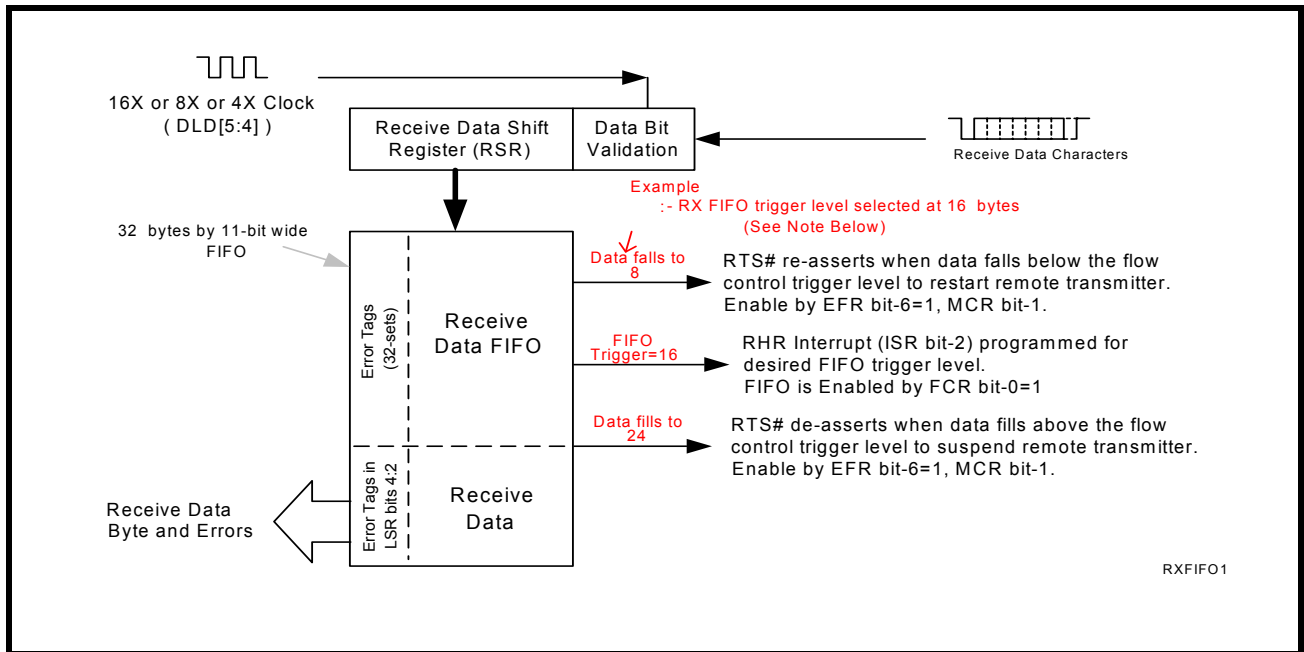


FIGURE 11. RECEIVER OPERATION IN FIFO AND AUTO RTS FLOW CONTROL MODE



### 2.10 Auto RTS (Hardware) Flow Control

Automatic RTS hardware flow control is used to prevent data overrun to the local receiver FIFO. The RTS# output is used to request remote unit to suspend/resume data transmission. The auto RTS flow control features is enabled to fit specific application requirement (see [Figure 12](#)):

- Enable auto RTS flow control using EFR bit-6.
- The auto RTS function must be started by asserting RTS# output pin (MCR bit-1 to logic 1 after it is enabled).

If using the Auto RTS interrupt:

- Enable RTS interrupt through IER bit-6 (after setting EFR bit-4). The UART issues an interrupt when the RTS# pin makes a transition from low to high: ISR bit-5 will be set to logic 1.

### 2.11 Auto RTS Hysteresis

With the Auto RTS function enabled, an interrupt is generated when the receive FIFO reaches the selected RX trigger level. The RTS# pin will not be forced HIGH (RTS off) until the receive FIFO reaches one trigger level above the selected trigger level in the trigger table ([Table 9](#)). The RTS# pin will return LOW after the RX FIFO is unloaded to one level below the selected trigger level. Under the above described conditions, the M670 will continue to accept data until the receive FIFO gets full. The Auto RTS function is initiated when the RTS# output pin is asserted LOW (RTS On).

**TABLE 4: AUTO RTS (HARDWARE) FLOW CONTROL**

| RX TRIGGER LEVEL | INT PIN ACTIVATION | RTS# DE-ASSERTED (HIGH)<br>(CHARACTERS IN RX FIFO) | RTS# ASSERTED (LOW)<br>(CHARACTERS IN RX FIFO) |
|------------------|--------------------|--|--|
| 8                | 8                  | 16   | 0  |
| 16               | 16                 | 24   | 8  |
| 24               | 24                 | 28   | 16   |
| 28               | 28                 | 28   | 24   |

### 2.12 Auto CTS Flow Control

Automatic CTS flow control is used to prevent data overrun to the remote receiver FIFO. The CTS# input is monitored to suspend/restart the local transmitter. The auto CTS flow control feature is selected to fit specific application requirement (see [Figure 12](#)):

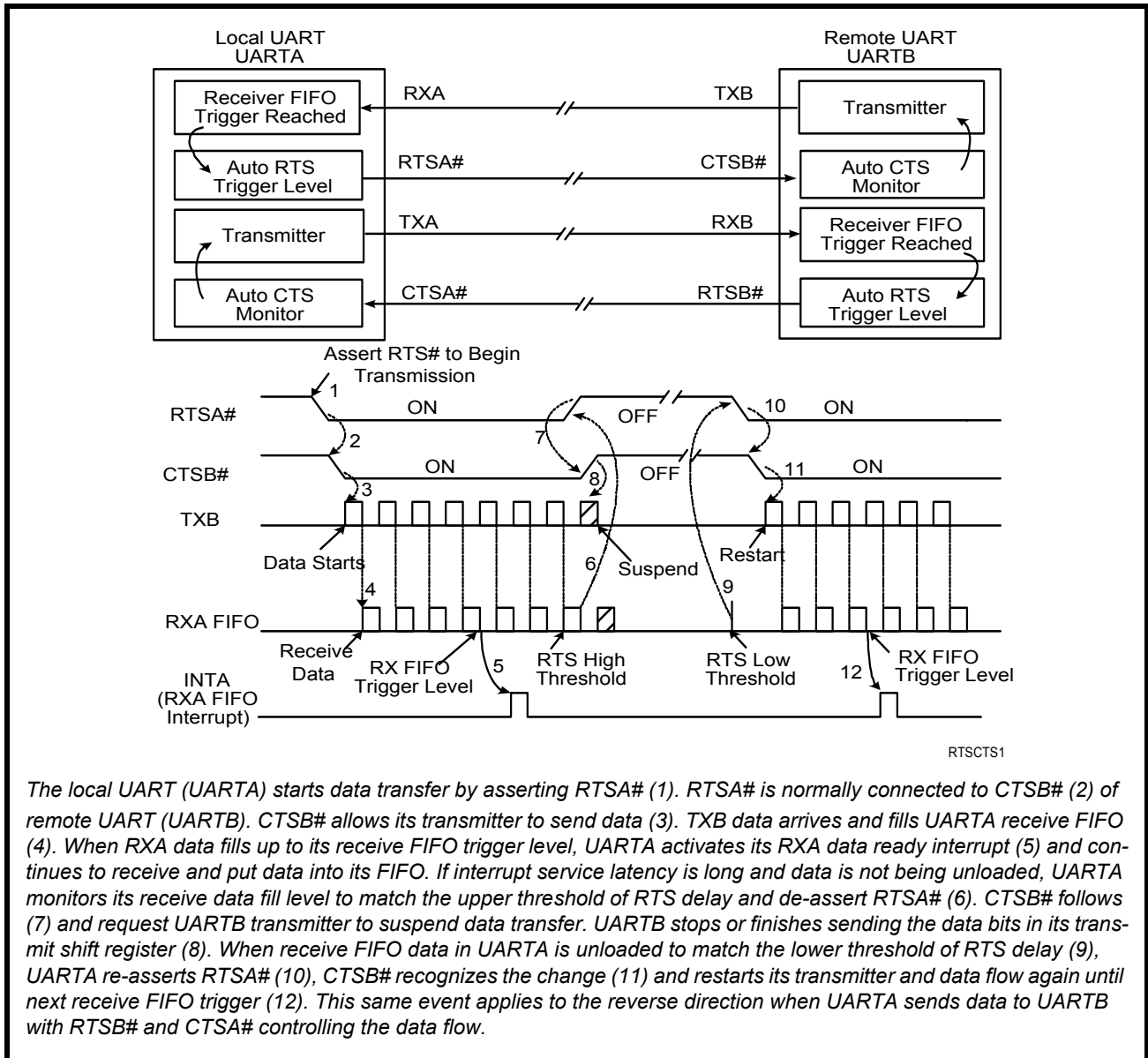
- Enable auto CTS flow control using EFR bit-7.

If needed, the CTS interrupt can be enabled through IER bit-7 (after setting EFR bit-4). The UART issues an interrupt when the CTS# pin is de-asserted (HIGH): ISR bit-5 will be set to 1, and UART will suspend



transmission as soon as the stop bit of the character in process is shifted out. Transmission is resumed after the CTS# input is re-asserted (LOW), indicating more data may be sent.

FIGURE 12. AUTO RTS AND CTS FLOW CONTROL OPERATION



### 2.13 Auto Xon/Xoff (Software) Flow Control

When software flow control is enabled (See Table 15), the M670 compares one or two sequential receive data characters with the programmed Xon or Xoff-1,2 character value(s). If receive character(s) (RX) match the programmed values, the M670 will halt transmission (TX) as soon as the current character has completed transmission. When a match occurs, the Xoff (if enabled via IER bit-5) flag will be set and the interrupt output pin will be activated. Following a suspension due to a match of the Xoff character, the M670 will monitor the receive data stream for a match to the Xon-1,2 character. If a match is found, the M670 will resume operation and clear the flags (ISR bit-4).

Reset initially sets the contents of the Xon/Xoff 8-bit flow control registers to a logic 0. Following reset the user can write any Xon/Xoff value desired for software flow control. Different conditions can be set to detect Xon/Xoff characters (See Table 15) and suspend/resume transmissions. When double 8-bit Xon/Xoff characters are selected, the M670 compares two consecutive receive characters with two software flow control 8-bit values (Xon1, Xon2, Xoff1, Xoff2) and controls TX transmissions accordingly. Under the above described flow control mechanisms, flow control characters are not placed (stacked) in the user accessible RX data buffer or FIFO.

In the event that the receive buffer is overfilling and flow control needs to be executed, the M670 automatically sends an Xoff message (when enabled) via the serial TX output to the remote modem. The M670 sends the Xoff-1,2 characters two-character-times (= time taken to send two characters at the programmed baud rate) after the receive FIFO crosses the selected trigger level. To clear this condition, the M670 will transmit the programmed Xon-1,2 characters as soon as receive FIFO is less than one trigger level below the selected trigger level. Table 5 below explains this.

**TABLE 5: AUTO XON/XOFF (SOFTWARE) FLOW CONTROL**

| RX TRIGGER LEVEL | INT PIN ACTIVATION | XOFF CHARACTER(S) SENT<br>(CHARACTERS IN RX FIFO) | XON CHARACTER(S) SENT<br>(CHARACTERS IN RX FIFO) |
|------------------|--------------------|---|--|
| 8                | 8                  | 8*  | 0  |
| 16               | 16                 | 16*   | 8  |
| 24               | 24                 | 24*   | 16   |
| 28               | 28                 | 28*   | 24   |

\* After the trigger level is reached, an xoff character is sent after a short span of time (= time required to send 2 characters); for example, after 2.083ms has elapsed for 9600 baud and 10-bit word length setting.

### 2.14 Special Character Detect

A special character detect feature is provided to detect an 8-bit character when bit-5 is set in the Enhanced Feature Register (EFR). When this character (Xoff2) is detected, it will be placed in the FIFO along with normal incoming RX data.

The M670 compares each incoming receive character with Xoff-2 data. If a match exists, the received data will be transferred to the RX FIFO and ISR bit-4 will be set to indicate detection of special character. Although the Internal Register Table shows Xon, Xoff Registers with eight bits of character information, the actual number of bits is dependent on the programmed word length. Line Control Register (LCR) bits 0-1 defines the number of character bits, i.e., either 5 bits, 6 bits, 7 bits, or 8 bits. The word length selected by LCR bits 0-1 also determines the number of bits that will be used for the special character comparison. Bit-0 in the Xon, Xoff Registers corresponds with the LSB bit for the receive character.

### 2.15 Normal Multidrop Mode

Normal multidrop mode is enabled when MSR[6] = 1 (requires EFR[4] = 1) and EFR[5] = 0 (Special Character Detect disabled). The receiver is set to Force Parity 0 (LCR[5:3] = '111') in order to detect address bytes.

With the receiver initially disabled, it ignores all the data bytes (parity bit = 0) until an address byte is received (parity bit = 1). This address byte will cause the UART to set the parity error. The UART will generate an LSR

interrupt and place the address byte in the RX FIFO. The software then examines the byte and enables the receiver if the address matches its slave address, otherwise, it does not enable the receiver.

If the receiver has been enabled, the receiver will receive the subsequent data. If an address byte is received, it will generate an LSR interrupt. The software again examines the byte and if the address matches its slave address, it does not have to do anything. If the address does not match its slave address, then the receiver should be disabled.

### 2.15.1 Auto Address Detection

Auto address detection mode is enabled when MSR[6] = 1 (requires EFR[4] = 1) and EFR bit-5 = 1. The desired slave address will need to be written into the XOFF2 register. The receiver will try to detect an address byte that matches the programmed character in the XOFF2 register. If the received byte is a data byte or an address byte that does not match the programmed character in the XOFF2 register, the receiver will discard these data. Upon receiving an address byte that matches the XOFF2 character, the receiver will be automatically enabled if not already enabled, and the address character is pushed into the RX FIFO along with the parity bit (in place of the parity error bit). The receiver also generates an LSR interrupt. The receiver will then receive the subsequent data. If another address byte is received and this address does not match the programmed XOFF2 character, then the receiver will automatically be disabled and the address byte is ignored. If the address byte matches XOFF2, the receiver will put this byte in the RX FIFO along with the parity bit in the parity error bit.

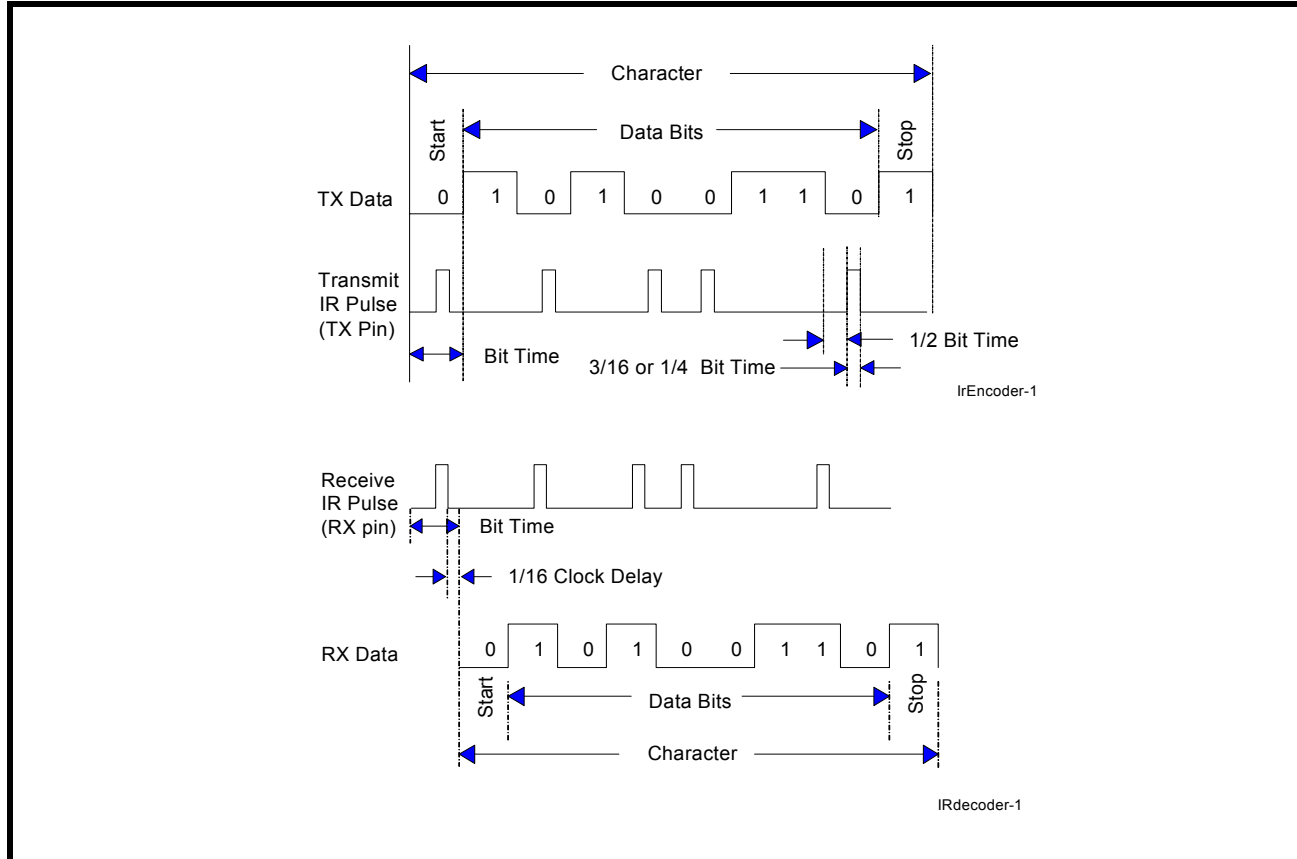
### 2.16 Infrared Mode

The M670 UART includes the infrared encoder and decoder compatible to the IrDA (Infrared Data Association) version 1.0 and 1.1. The IrDA 1.0 standard that stipulates the infrared encoder sends out a 3/16 of a bit wide HIGH-pulse for each "0" bit in the transmit data stream with a data rate up to 115.2 Kbps. For the IrDA 1.1 standard, the infrared encoder sends out a 1/4 of a bit time wide HIGH-pulse for each "0" bit in the transmit data stream with a data rate up to 1.152 Mbps. This signal encoding reduces the on-time of the infrared LED, hence reduces the power consumption. See [Figure 13](#) below.

The infrared encoder and decoder are enabled by setting MCR register bit-6 to a '1'. With this bit enabled, the infrared encoder and decoder is compatible to the IrDA 1.0 standard. For the infrared encoder and decoder to be compatible to the IrDA 1.1 standard, MSR bit-7 will also need to be set to a '1' when EFR bit-4 is set to '1'. Likewise, the RX input assumes an idle level of logic zero from a reset and power up, see [Figure 13](#).

Typically, the wireless infrared decoder receives the input pulse from the infrared sensing diode on the RX pin. Each time it senses a light pulse, it returns a logic 1 to the data bit stream.

FIGURE 13. INFRARED TRANSMIT DATA ENCODING AND RECEIVE DATA DECODING



### 2.17 Sleep Mode with Auto Wake-Up and Power-Save feature

The M670 supports low voltage system designs, hence, a sleep mode with auto wake-up and power-save feature is included to reduce its power consumption when the chip is not actively used.

#### 2.17.1 Sleep mode

All of these conditions must be satisfied for the M670 to enter sleep mode:

- no interrupts pending (ISR bit-0 = 1)
- sleep mode is enabled (IER bit-4 = 1)
- modem inputs are not toggling (MSR bits 0-3 = 0)
- RX input pin is idling HIGH in normal mode or LOW in infrared mode
- divisor is non-zero
- TX and RX FIFOs are empty

The M670 stops its crystal oscillator to conserve power in the sleep mode. User can check the XTAL2 pin for no clock output as an indication that the device has entered the sleep mode.

The M670 resumes normal operation by any of the following:

- a receive data start bit transition (HIGH to LOW)
- a data byte is loaded to the transmitter, THR or FIFO
- a change of logic state on any of the modem or general purpose serial inputs: CTS#, DSR#, CD#, RI#

If the M670 is awakened by any one of the above conditions, it will return to the sleep mode automatically after all interrupting conditions have been serviced and cleared. If the M670 is awakened by the modem inputs, a read to the MSR is required to reset the modem inputs. In any case, the sleep mode will not be entered while

an interrupt is pending from any channel. The M670 will stay in the sleep mode of operation until it is disabled by setting IER bit-4 to a logic 0.

A word of caution: owing to the starting up delay of the crystal oscillator after waking up from sleep mode, the first few receive characters may be lost. Also, make sure the RX pin is idling HIGH or “marking” condition during sleep mode. This may not occur when the external interface transceivers (RS-232, RS-485 or another type) are also put to sleep mode and cannot maintain the “marking” condition. To avoid this, the system design engineer can use a 47k ohm pull-up resistor on each of the RX input.

### 2.17.2 Power-Save Feature

If the address lines, data bus lines, IOW#, IOR#, CS# and modem input lines remain steady when the M670 is in sleep mode, the maximum current will be in the microamp range as specified in the DC Electrical Characteristics on [page 41](#). If the input lines are floating or are toggling while the M670 is in sleep mode, the current can be up to 100 times more. If not using the Power-Save feature, an external buffer would be required to keep the address and data bus lines from toggling or floating to achieve the low current. But if the Power-Save feature is enabled (PwrSave pin connected to VCC), this will eliminate the need for an external buffer by internally isolating the address, data and control signals (see [Figure 1](#) on [page 1](#)) from other bus activities that could cause wasteful power drain. The M670 enters Power-Save mode when this pin is connected to VCC and the M670 is in sleep mode (see Sleep Mode section above).

Since Power-Save mode isolates the address, data and control signals, the device will wake-up only by:

- a receive data start bit transition (HIGH to LOW) at the RX input or
- a change of logic state on the modem or general purpose serial input CTS#, DSR#, CD#, RI#

The M670 will return to the Power-Save mode automatically after a read to the MSR (to reset the modem input CTS#) and all interrupting conditions have been serviced and cleared. The M670 will stay in the Power-Save mode of operation until it is disabled by setting IER bit-4 to a logic 0 and/or the Power-Save pin is connected to GND.

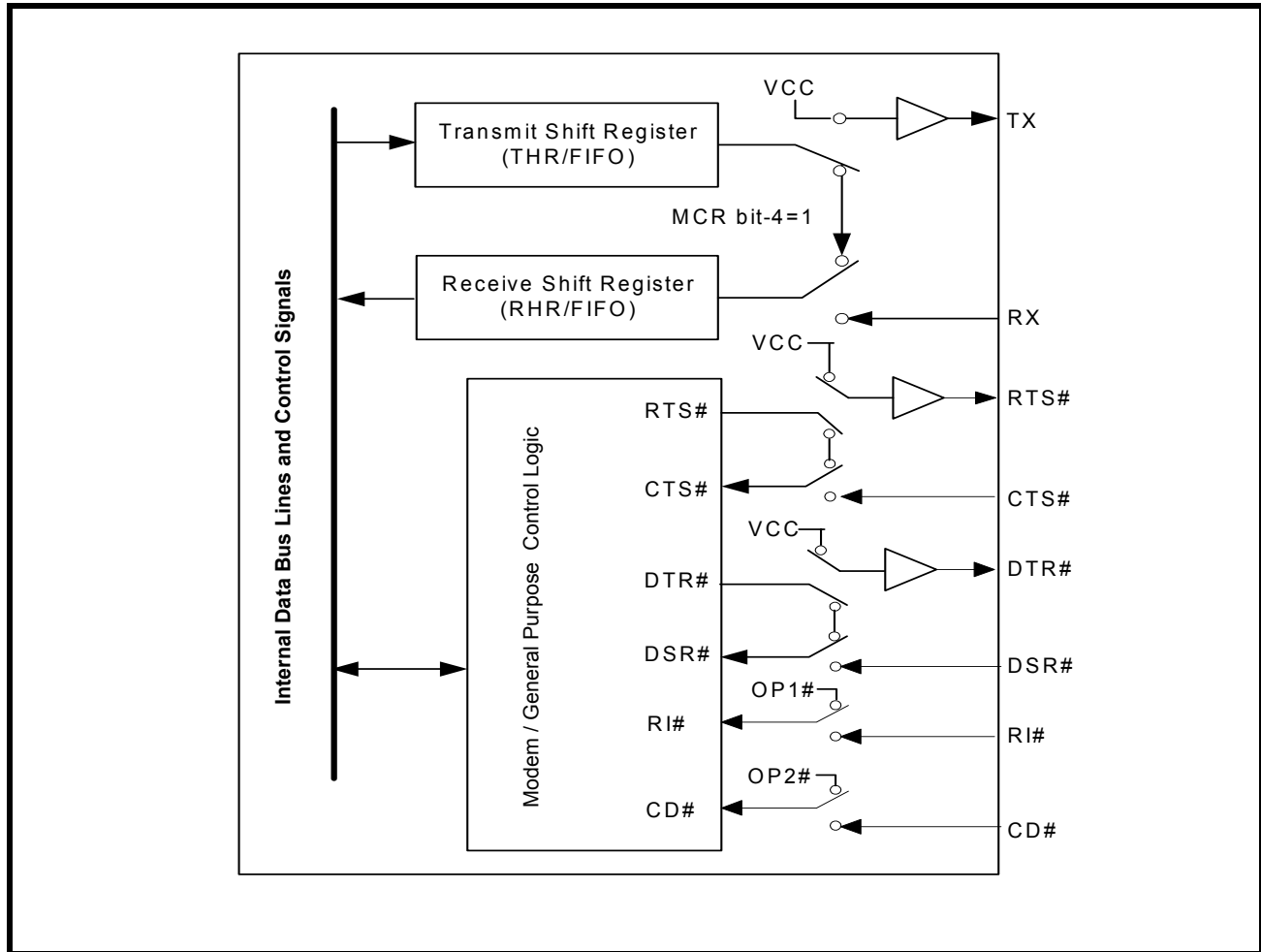
### 2.17.3 Wake-up Interrupt

The M670 has the wake up interrupt. By setting the FCR bit-3, wake up interrupt is enabled or disabled. The default status of wake up interrupt is disabled. Please [See "Section 4.5, FIFO Control Register \(FCR\) - Write-Only" on page 29.](#)

**2.18 Internal Loopback**

The M670 UART provides an internal loopback capability for system diagnostic purposes. The internal loopback mode is enabled by setting MCR register bit-4 to logic 1. All regular UART functions operate normally. **Figure 14** shows how the modem port signals are re-configured. Transmit data from the transmit shift register output is internally routed to the receive shift register input allowing the system to receive the same data that it was sending. The TX pin is held HIGH or mark condition while RTS# and DTR# are de-asserted, and CTS#, DSR# CD# and RI# inputs are ignored. Caution: the RX input must be held HIGH during loopback test else upon exiting the loopback test the UART may detect and report a false “break” signal.

**FIGURE 14. INTERNAL LOOPBACK**



**3.0 UART INTERNAL REGISTERS**

The complete register set for the M670 is shown in [Table 6](#) and [Table 7](#).

**TABLE 6: UART INTERNAL REGISTERS**

| A2 A1 A0 ADDRESSES                 | REGISTER  | READ/WRITE              | COMMENTS   |
|------------------------------------|---|-------------------------|--|
| <b>16C550 COMPATIBLE REGISTERS</b> |   |                         |  |
| 0 0 0                              | DREV - Device Revision  | Read-only               | LCR[7] = 1, LCR ≠ 0xBF,<br>DLL = 0x00, DLM = 0x00          |
| 0 0 1                              | DVID - Device Identification Register                             | Read-only               |  |
| 0 0 0                              | DLL - Divisor LSB Register  | Read/Write              | LCR[7] = 1, LCR ≠ 0xBF<br>See DLD[7:6]                     |
| 0 0 1                              | DLM - Divisor MSB Register  | Read/Write              |  |
| 0 1 0                              | DLD - Divisor Fractional Register                                 | Read/Write              | LCR[7] = 1, LCR ≠ 0xBF,<br>EFR[4] = 1                      |
| 0 0 0                              | RHR - Receive Holding Register<br>THR - Transmit Holding Register | Read-only<br>Write-only | LCR[7] = 0   |
| 0 0 1                              | IER - Interrupt Enable Register                                   | Read/Write              |  |
| 0 1 0                              | ISR - Interrupt Status Register<br>FCR - FIFO Control Register    | Read-only<br>Write-only | LCR[7] = 0 if EFR[4] = 1<br>or<br>LCR ≠ 0xBF if EFR[4] = 0 |
| 0 1 1                              | LCR - Line Control Register                                       | Read/Write              |  |
| 1 0 0                              | MCR - Modem Control Register                                      | Read/Write              | LCR ≠ 0xBF   |
| 1 0 1                              | LSR - Line Status Register  | Read-only               |  |
| 1 1 0                              | MSR - Modem Status Register                                       | Read-only               |  |
| 1 1 0                              | MSR - Modem Status Register                                       | Write-only              | LCR ≠ 0xBF<br>EFR[4] = 1                                   |
| 1 1 1                              | SPR - Scratch Pad Register  | Read/Write              | LCR ≠ 0xBF, FCTR[6] = 0                                    |
| 1 1 1                              | EMSR - Enhanced Mode Select Register                              | Write-only              | LCR ≠ 0xBF, FCTR[6] = 1                                    |
| 1 1 1                              | FC - RX/TX FIFO Level Counter Register                            | Read-only               |  |
| <b>ENHANCED REGISTERS</b>          |   |                         |  |
| 0 0 0                              | FC - RX/TX FIFO Level Counter Register                            | Read-only               | LCR = 0xBF   |
| 0 0 1                              | FCTR - Feature Control Register                                   | Read/Write              |  |
| 0 1 0                              | EFR - Enhanced Function Reg                                       | Read/Write              |  |
| 1 0 0                              | Xon-1 - Xon Character 1   | Read/Write              |  |
| 1 0 1                              | Xon-2 - Xon Character 2   | Read/Write              |  |
| 1 1 0                              | Xoff-1 - Xoff Character 1   | Read/Write              |  |
| 1 1 1                              | Xoff-2 - Xoff Character 2   | Read/Write              |  |

TABLE 7: INTERNAL REGISTERS DESCRIPTION. SHADED BITS ARE ENABLED WHEN EFR BIT-4=1

| ADDRESS<br>A2-A0                   | REG<br>NAME | READ/<br>WRITE | BIT-7                               | BIT-6                              | BIT-5                         | BIT-4                         | BIT-3                               | BIT-2                             | BIT-1                             | BIT-0                             | COMMENT  |
|------------------------------------|-------------|----------------|-------------------------------------|------------------------------------|-------------------------------|-------------------------------|-------------------------------------|-----------------------------------|-----------------------------------|-----------------------------------|--|
| <b>16C550 Compatible Registers</b> |             |                |                                     |                                    |                               |                               |                                     |                                   |                                   |                                   |  |
| 0 0 0                              | RHR         | RD             | Bit-7                               | Bit-6                              | Bit-5                         | Bit-4                         | Bit-3                               | Bit-2                             | Bit-1                             | Bit-0                             | LCR[7] = 0   |
| 0 0 0                              | THR         | WR             | Bit-7                               | Bit-6                              | Bit-5                         | Bit-4                         | Bit-3                               | Bit-2                             | Bit-1                             | Bit-0                             |  |
| 0 0 1                              | IER         | RD/WR          | 0/<br>CTS#<br>Int.<br>Enable        | 0/<br>RTS#<br>Int.<br>Enable       | 0/<br>Xoff Int.<br>Enable     | 0/<br>Sleep<br>Mode<br>Enable | Modem<br>Stat. Int.<br>Enable       | RXLine<br>Stat.<br>Int.<br>Enable | TX<br>Empty<br>Int<br>Enable      | RX<br>Data<br>Int.<br>Enable      |  |
| 0 1 0                              | ISR         | RD             | FIFOs<br>Enabled                    | FIFOs<br>Enabled                   | 0/<br>RTS<br>CTS<br>Interrupt | 0/<br>Xoff<br>Interrupt       | INT<br>Source<br>Bit-3              | INT<br>Source<br>Bit-2            | INT<br>Source<br>Bit-1            | INT<br>Source<br>Bit-0            | LCR[7] = 0<br>if EFR[4]=1<br>or<br>LCR≠0xBF<br>if EFR[4]=0 |
| 0 1 0                              | FCR         | WR             | RXFIFO<br>Trigger                   | RXFIFO<br>Trigger                  | TXFIFO<br>Trigger             | TXFIFO<br>Trigger             | Wake up<br>Int Enable               | TX<br>FIFO<br>Reset               | RX<br>FIFO<br>Reset               | FIFOs<br>Enable                   |  |
| 0 1 1                              | LCR         | RD/WR          | Divisor<br>Enable                   | Set TX<br>Break                    | Set<br>Parity                 | Even<br>Parity                | Parity<br>Enable                    | Stop<br>Bits                      | Word<br>Length<br>Bit-1           | Word<br>Length<br>Bit-0           |  |
| 1 0 0                              | MCR         | RD/WR          | 0/<br>BRG<br>Pres-<br>caler         | 0/<br>IR Mode<br>ENable            | 0/<br>XonAny                  | Internal<br>Lopback<br>Enable | INT Out-<br>put<br>Enable<br>(OP2#) | OP1#                              | RTS#<br>Output<br>Control         | DTR#<br>Output<br>Control         | LCR≠0xBF   |
| 1 0 1                              | LSR         | RD             | RX FIFO<br>Global<br>Error          | THR &<br>TSR<br>Empty              | THR<br>Empty                  | RX Break                      | RX Fram-<br>ing Error               | RX<br>Parity<br>Error             | RX<br>Over-<br>run<br>Error       | RX<br>Data<br>Ready               |  |
| 1 1 0                              | MSR         | RD             | CD#<br>Input                        | RI#<br>Input                       | DSR#<br>Input                 | CTS#<br>Input                 | Delta<br>CD#                        | Delta<br>RI#                      | Delta<br>DSR#                     | Delta<br>CTS#                     |  |
|                                    |             | WR             | Fast IR                             | Enable<br>9-bit<br>mode            | Disable<br>RX                 | Disable<br>TX                 | 0                                   | 0                                 | 0                                 | 0                                 |  |
| 1 1 1                              | SPR         | RD/WR          | Bit-7                               | Bit-6                              | Bit-5                         | Bit-4                         | Bit-3                               | Bit-2                             | Bit-1                             | Bit-0                             | LCR≠0xBF<br>FCTR[6]=0                                      |
| 1 1 1                              | EMSR        | WR             | Xoff<br>interrupt<br>mode<br>select | LSR<br>interrupt<br>mode<br>select | 0                             | 0                             | Invert<br>RTS in<br>RS485<br>mode   | Send<br>TX<br>imme-<br>diate      | FIFO<br>count<br>control<br>bit-1 | FIFO<br>count<br>control<br>bit-0 | LCR≠0xBF<br>FCTR[6]=1                                      |
| 1 1 1                              | FC          | RD             | Bit-7                               | Bit-6                              | Bit-5                         | Bit-4                         | Bit-3                               | Bit-2                             | Bit-1                             | Bit-0                             |  |



**TABLE 7: INTERNAL REGISTERS DESCRIPTION. SHADED BITS ARE ENABLED WHEN EFR BIT-4=1**

| ADDRESS<br>A2-A0                   | REG<br>NAME | READ/<br>WRITE | BIT-7                  | BIT-6                             | BIT-5                     | BIT-4   | BIT-3                                  | BIT-2                                  | BIT-1                                  | BIT-0                                  | COMMENT  |
|------------------------------------|-------------|----------------|------------------------|-----------------------------------|---------------------------|---|--|--|--|--|--|
| <b>Baud Rate Generator Divisor</b> |             |                |                        |                                   |                           |   |  |  |  |  |  |
| 0 0 0                              | DREV        | RD             | Bit-7                  | Bit-6                             | Bit-5                     | Bit-4   | Bit-3                                  | Bit-2                                  | Bit-1                                  | Bit-0                                  | LCR[7] = 1<br>LCR≠0xBF<br>DLL= 0x00<br>DLM= 0x00 |
| 0 0 1                              | DVID        | RD             | 0                      | 0                                 | 0                         | 0   | 0                                      | 1                                      | 0                                      | 1                                      |  |
| 0 0 0                              | DLL         | RD/WR          | Bit-7                  | Bit-6                             | Bit-5                     | Bit-4   | Bit-3                                  | Bit-2                                  | Bit-1                                  | Bit-0                                  | LCR[7] = 1<br>LCR≠0xBF<br>DLD[7:6]               |
| 0 0 1                              | DLM         | RD/WR          | Bit-7                  | Bit-6                             | Bit-5                     | Bit-4   | Bit-3                                  | Bit-2                                  | Bit-1                                  | Bit-0                                  |  |
| 0 1 0                              | DLD         | RD/WR          | BRG<br>select          | Enable<br>Independ-<br>ent<br>BRG | 4X Mode                   | 8X Mode   | Bit-3                                  | Bit-2                                  | Bit-1                                  | Bit-0                                  | LCR[7] = 1<br>LCR≠0xBF<br>EFR[4] = 1             |
| <b>Enhanced Registers</b>          |             |                |                        |                                   |                           |   |  |  |  |  |  |
| 0 0 0                              | FC          | RD             | Bit-7                  | Bit-6                             | Bit-5                     | Bit-4   | Bit-3                                  | Bit-2                                  | Bit-1                                  | Bit-0                                  | LCR=0xBF   |
| 0 0 1                              | FCTR        | RD/WR          | RX/TX<br>select        | Swap<br>SCR                       | 0                         | 0   | RS485<br>interrupt<br>mode             | invert<br>RX IR                        | 0                                      | 0                                      |  |
| 0 1 0                              | EFR         | RD/WR          | Auto<br>CTS#<br>Enable | Auto<br>RTS#<br>Enable            | Special<br>Char<br>Select | Enable<br>IER [7:4],<br>ISR [5:4],<br>FCR [5:3],<br>MCR [7:5],<br>DLD | Soft-<br>ware<br>Flow<br>Cntl<br>Bit-3 | Soft-<br>ware<br>Flow<br>Cntl<br>Bit-2 | Soft-<br>ware<br>Flow<br>Cntl<br>Bit-1 | Soft-<br>ware<br>Flow<br>Cntl<br>Bit-0 |  |
| 1 0 0                              | XON1        | RD/WR          | Bit-7                  | Bit-6                             | Bit-5                     | Bit-4   | Bit-3                                  | Bit-2                                  | Bit-1                                  | Bit-0                                  |  |
| 1 0 1                              | XON2        | RD/WR          | Bit-7                  | Bit-6                             | Bit-5                     | Bit-4   | Bit-3                                  | Bit-2                                  | Bit-1                                  | Bit-0                                  |  |
| 1 1 0                              | XOFF1       | RD/WR          | Bit-7                  | Bit-6                             | Bit-5                     | Bit-4   | Bit-3                                  | Bit-2                                  | Bit-1                                  | Bit-0                                  |  |
| 1 1 1                              | XOFF2       | RD/WR          | Bit-7                  | Bit-6                             | Bit-5                     | Bit-4   | Bit-3                                  | Bit-2                                  | Bit-1                                  | Bit-0                                  |  |

#### 4.0 INTERNAL REGISTER DESCRIPTIONS

##### 4.1 Receive Holding Register (RHR) - Read- Only

SEE "RECEIVER" ON PAGE 14.

##### 4.2 Transmit Holding Register (THR) - Write-Only

SEE "TRANSMITTER" ON PAGE 13.

### 4.3 Interrupt Enable Register (IER) - Read/Write

The Interrupt Enable Register (IER) masks the interrupts from receive data ready, transmit empty, line status and modem status registers. These interrupts are reported in the Interrupt Status Register (ISR).

#### 4.3.1 IER versus Receive FIFO Interrupt Mode Operation

When the receive FIFO (FCR BIT-0 = 1) and receive interrupts (IER BIT-0 = 1) are enabled, the RHR interrupts (see ISR bits 2 and 3) status will reflect the following:

- A. The receive data available interrupts are issued to the host when the FIFO has reached the selected trigger level. It will be cleared when the FIFO drops below the selected trigger level.
- B. FIFO level will be reflected in the ISR register when the FIFO trigger level is reached. Both the ISR register status bit and the interrupt will be cleared when the FIFO drops below the trigger level.
- C. The receive data ready bit (LSR BIT-0) is set as soon as a character is transferred from the shift register to the receive FIFO. It is reset when the FIFO is empty.

#### 4.3.2 IER versus Receive/Transmit FIFO Polled Mode Operation

When FCR BIT-0 equals a logic 1 for FIFO enable; resetting IER bits 0-3 enables the XR16M670 in the FIFO polled mode of operation. Since the receiver and transmitter have separate bits in the LSR either or both can be used in the polled mode by selecting respective transmit or receive control bit(s).

- A. LSR BIT-0 indicates there is data in RHR or RX FIFO.
- B. LSR BIT-1 indicates an overrun error has occurred and that data in the FIFO may not be valid.
- C. LSR BIT 2-4 provides the type of receive data errors encountered for the data byte in RHR, if any.
- D. LSR BIT-5 indicates THR is empty.
- E. LSR BIT-6 indicates when both the transmit FIFO and TSR are empty.
- F. LSR BIT-7 indicates a data error in at least one character in the RX FIFO.

#### IER[0]: RHR Interrupt Enable

The receive data ready interrupt will be issued when RHR has a data character in the non-FIFO mode or when the receive FIFO has reached the selected trigger level in the FIFO mode.

Logic 0 = Disable the receive data ready interrupt (default).

Logic 1 = Enable the receiver data ready interrupt.

#### IER[1]: THR Interrupt Enable

This bit enables the Transmit Ready interrupt which is issued whenever the THR becomes empty in the non-FIFO mode or when data in the FIFO falls below the selected trigger level in the FIFO mode. If the THR is empty when this bit is enabled, an interrupt will be generated.

Logic 0 = Disable Transmit Ready interrupt (default).

Logic 1 = Enable Transmit Ready interrupt.

#### IER[2]: Receive Line Status Interrupt Enable

If any of the LSR register bits 1, 2, 3 or 4 is a logic 1, it will generate an interrupt to inform the host controller about the error status of the current data byte in FIFO. LSR bit-1 generates an interrupt immediately when an overrun occurs. LSR bits 2-4 generate an interrupt when the character in the RHR has an error. However, when EMSR bit-6 changes to 1 (default is 0), LSR bit 2-4 generate an interrupt when the character is received in the RX FIFO. Please refer to [“Section 4.12, Enhanced Mode Select Register \(EMSR\) - Write-only” on page 35](#).

- Logic 0 = Disable the receiver line status interrupt (default).
- Logic 1 = Enable the receiver line status interrupt.

**IER[3]: Modem Status Interrupt Enable**

- Logic 0 = Disable the modem status register interrupt (default).
- Logic 1 = Enable the modem status register interrupt.

**IER[4]: Sleep Mode Enable (requires EFR[4] = 1)**

- Logic 0 = Disable Sleep Mode (default).
- Logic 1 = Enable Sleep Mode. See Sleep Mode section for further details.

**IER[5]: Xoff Interrupt Enable (requires EFR[4]=1)**

- Logic 0 = Disable the software flow control, receive Xoff interrupt. (default)
- Logic 1 = Enable the software flow control, receive Xoff interrupt. See Software Flow Control section for details.

**IER[6]: RTS# Output Interrupt Enable (requires EFR[4]=1)**

- Logic 0 = Disable the RTS# interrupt (default).
- Logic 1 = Enable the RTS# interrupt. The UART issues an interrupt when the RTS# pin makes a transition from LOW to HIGH (if enabled by EFR bit-6).

**IER[7]: CTS# Input Interrupt Enable (requires EFR[4]=1)**

- Logic 0 = Disable the CTS# interrupt (default).
- Logic 1 = Enable the CTS# interrupt. The UART issues an interrupt when CTS# pin makes a transition from LOW to HIGH (if enabled by EFR bit-7).

**4.4 Interrupt Status Register (ISR) - Read-Only**

The UART provides multiple levels of prioritized interrupts to minimize external software interaction. The Interrupt Status Register (ISR) provides the user with six interrupt status bits. Performing a read cycle on the ISR will give the user the current highest pending interrupt level to be serviced, others are queued up to be serviced next. No other interrupts are acknowledged until the pending interrupt is serviced. The Interrupt Source Table, [Table 8](#), shows the data values (bit 0-5) for the interrupt priority levels and the interrupt sources associated with each of these interrupt levels.

**4.4.1 Interrupt Generation:**

- LSR is by any of the LSR bits 1, 2, 3 and 4.
- RXRDY is by RX trigger level.
- RXRDY Time-out is by a 4-char plus 12 bits delay timer.
- TXRDY is by TX trigger level or TX FIFO empty.
- MSR is by any of the MSR bits 0, 1, 2 and 3.
- Receive Xon/Xoff/Special character is by detection of a Xon, Xoff or Special character.
- CTS# is when the remote transmitter toggles the input pin (from LOW to HIGH) during auto CTS flow control.
- RTS# is when its receiver toggles the output pin (from LOW to HIGH) during auto RTS flow control.
- Wakeup interrupt is generated when the M670 wakes up from the sleep mode.

#### 4.4.2 Interrupt Clearing:

- LSR interrupt is cleared by a read to the LSR register.
- RXRDY interrupt is cleared by reading data until FIFO falls below the trigger level.
- RXRDY Time-out interrupt is cleared by reading RHR.
- TXRDY interrupt is cleared by a read to the ISR register or writing to THR.
- MSR interrupt is cleared by a read to the MSR register.
- Xon or Xoff interrupt is cleared by a read to the ISR register. See EMSR[7].
- Special character interrupt is cleared by a read to ISR register or after next character is received. See EMSR[7].
- RTS# and CTS# flow control interrupts are cleared by a read to the MSR register.
- Wakeup interrupt is cleared by a read to ISR register.

**TABLE 8: INTERRUPT SOURCE AND PRIORITY LEVEL**

| PRIORITY<br>LEVEL | ISR REGISTER STATUS BITS |       |       |       |       |       | SOURCE OF INTERRUPT                             |
|-------------------|--------------------------|-------|-------|-------|-------|-------|---|
|                   | BIT-5                    | BIT-4 | BIT-3 | BIT-2 | BIT-1 | BIT-0 |   |
| 1                 | 0                        | 0     | 0     | 1     | 1     | 0     | LSR (Receiver Line Status Register)             |
| 2                 | 0                        | 0     | 1     | 1     | 0     | 0     | RXRDY (Receive Data Time-out)                   |
| 3                 | 0                        | 0     | 0     | 1     | 0     | 0     | RXRDY (Received Data Ready)                     |
| 4                 | 0                        | 0     | 0     | 0     | 1     | 0     | TXRDY (Transmit Ready)                          |
| 5                 | 0                        | 0     | 0     | 0     | 0     | 0     | MSR (Modem Status Register)                     |
| 6                 | 0                        | 1     | 0     | 0     | 0     | 0     | RXRDY (Received Xon, Xoff or Special character) |
| 7                 | 1                        | 0     | 0     | 0     | 0     | 0     | CTS#, RTS# change of state                      |
| -                 | 0                        | 0     | 0     | 0     | 0     | 1     | None (default) or Wakeup interrupt              |

#### ISR[0]: Interrupt Status

- Logic 0 = An interrupt is pending and the ISR contents may be used as a pointer to the appropriate interrupt service routine.
- Logic 1 = No interrupt pending (default condition).

#### ISR[3:1]: Interrupt Status

These bits indicate the source for a pending interrupt at interrupt priority levels (See Interrupt Source [Table 8](#)).

#### ISR[4]: Interrupt Status (requires EFR bit-4 = 1)

This bit is enabled when EFR bit-4 is set to a logic 1. ISR bit-4 indicates that the receiver detected a data match of the Xoff, Xon or special character(s).

#### ISR[5]: Interrupt Status (requires EFR bit-4 = 1)

ISR bit-5 indicates that CTS# or RTS# has changed state from LOW to HIGH.

#### ISR[7:6]: FIFO Enable Status

These bits are set to a logic 0 when the FIFOs are disabled. They are set to a logic 1 when the FIFOs are enabled.

#### 4.5 FIFO Control Register (FCR) - Write-Only

This register is used to enable the FIFOs, clear the FIFOs, set the transmit/receive FIFO trigger levels, and enable the wake up interrupt. They are defined as follows:

##### FCR[0]: TX and RX FIFO Enable

- Logic 0 = Disable the transmit and receive FIFO (default).
- Logic 1 = Enable the transmit and receive FIFOs. This bit must be set to logic 1 when other FCR bits are written or they will not be programmed.

##### FCR[1]: RX FIFO Reset

This bit is only active when FCR bit-0 is a '1'.

- Logic 0 = No receive FIFO reset (default)
- Logic 1 = Reset the receive FIFO pointers and FIFO level counter logic (the receive shift register is not cleared or altered). This bit will return to a logic 0 after resetting the FIFO.

##### FCR[2]: TX FIFO Reset

This bit is only active when FCR bit-0 is a '1'.

- Logic 0 = No transmit FIFO reset (default).
- Logic 1 = Reset the transmit FIFO pointers and FIFO level counter logic (the transmit shift register is not cleared or altered). This bit will return to a logic 0 after resetting the FIFO.

##### FCR[3]: Enable wake up interrupt (requires EFR bit-4 = 1)

- Logic 0 = Disable the wake up interrupt (default).
- Logic 1 = Enable the wake up interrupt.

Please refer to [“Section 2.17.3, Wake-up Interrupt” on page 21](#).

##### FCR[5:4]: Transmit FIFO Trigger Select (requires EFR bit-4 = 1)

These 2 bits set the trigger level for the transmit FIFO. The UART will issue a transmit interrupt when the number of characters in the FIFO falls below the selected trigger level, or when it gets empty in case that the FIFO did not get filled over the trigger level on last re-load. [Table 9](#) below shows the selections. Note that the receiver and the transmitter cannot use different trigger tables. Whichever selection is made last applies to both the RX and TX side.

##### FCR[7:6]: Receive FIFO Trigger Select

These 2 bits are used to set the trigger level for the receive FIFO. The UART will issue a receive interrupt when the number of the characters in the FIFO crosses the trigger level. [Table 9](#) shows the complete selections. Note that the receiver and the transmitter cannot use different trigger tables. Whichever selection is made last applies to both the RX and TX side.

TABLE 9: TRANSMIT AND RECEIVE FIFO TRIGGER TABLE AND LEVEL SELECTION

| FCR BIT-7 | FCR BIT-6 | FCR BIT-5 | FCR BIT-4 | RECEIVE TRIGGER LEVEL | TRANSMIT TRIGGER LEVEL | COMPATIBILITY                |
|-----------|-----------|-----------|-----------|-----------------------|------------------------|------------------------------|
|           |           | 0         | 0         |                       | 16                     | 16C650A, 16V2650 and 16M2650 |
|           |           | 0         | 1         |                       | 8                      |                              |
|           |           | 1         | 0         |                       | 24                     |                              |
|           |           | 1         | 1         |                       | 30                     |                              |
| 0         | 0         |           |           | 8                     |                        |                              |
| 0         | 1         |           |           | 16                    |                        |                              |
| 1         | 0         |           |           | 24                    |                        |                              |
| 1         | 1         |           |           | 28                    |                        |                              |

**4.6 Line Control Register (LCR) - Read/Write**

The Line Control Register is used to specify the asynchronous data communication format. The word or character length, the number of stop bits, and the parity are selected by writing the appropriate bits in this register.

**LCR[1:0]: TX and RX Word Length Select**

These two bits specify the word length to be transmitted or received.

| BIT-1 | BIT-0 | WORD LENGTH |
|-------|-------|-------------|
| 0     | 0     | 5 (default) |
| 0     | 1     | 6           |
| 1     | 0     | 7           |
| 1     | 1     | 8           |

**LCR[2]: TX and RX Stop-bit Length Select**

The length of stop bit is specified by this bit in conjunction with the programmed word length.

| BIT-2 | WORD LENGTH | STOP BIT LENGTH (BIT TIME(S)) |
|-------|-------------|-------------------------------|
| 0     | 5,6,7,8     | 1 (default)                   |
| 1     | 5           | 1-1/2                         |
| 1     | 6,7,8       | 2                             |

**LCR[3]: TX and RX Parity Select**

Parity or no parity can be selected via this bit. The parity bit is a simple way used in communications for data integrity check. See [Table 10](#) for parity selection summary below.

- Logic 0 = No parity.
- Logic 1 = A parity bit is generated during the transmission while the receiver checks for parity error of the data character received.

**LCR[4]: TX and RX Parity Select**

If the parity bit is enabled with LCR bit-3 set to a logic 1, LCR BIT-4 selects the even or odd parity format.

- Logic 0 = ODD Parity is generated by forcing an odd number of logic 1's in the transmitted character. The receiver must be programmed to check the same format (default).
- Logic 1 = EVEN Parity is generated by forcing an even number of logic 1's in the transmitted character. The receiver must be programmed to check the same format.

**LCR[5]: TX and RX Parity Select**

If the parity bit is enabled, LCR BIT-5 selects the forced parity format.

- LCR BIT-5 = logic 0, parity is not forced (default).
- LCR BIT-5 = logic 1 and LCR BIT-4 = logic 0, parity bit is forced to a logical 1 for the transmit and receive data.
- LCR BIT-5 = logic 1 and LCR BIT-4 = logic 1, parity bit is forced to a logical 0 for the transmit and receive data.

**TABLE 10: PARITY SELECTION**

| LCR BIT-5 | LCR BIT-4 | LCR BIT-3 | PARITY SELECTION            |
|-----------|-----------|-----------|-----------------------------|
| X         | X         | 0         | No parity                   |
| 0         | 0         | 1         | Odd parity                  |
| 0         | 1         | 1         | Even parity                 |
| 1         | 0         | 1         | Force parity to mark, HIGH  |
| 1         | 1         | 1         | Forced parity to space, LOW |

**LCR[6]: Transmit Break Enable**

When enabled, the Break control bit causes a break condition to be transmitted (the TX output is forced to a "space", logic 0, state). This condition remains, until disabled by setting LCR bit-6 to a logic 0.

- Logic 0 = No TX break condition. (default)
- Logic 1 = Forces the transmitter output (TX) to a "space", logic 0, for alerting the remote receiver of a line break condition.

**LCR[7]: Baud Rate Divisors Enable**

Baud rate generator divisor (DLL/DLM/DLD) enable.

- Logic 0 = Data registers are selected. (default)
- Logic 1 = Divisor latch registers are selected.

**4.7 Modem Control Register (MCR) or General Purpose Outputs Control - Read/Write**

The MCR register is used for controlling the serial/modem interface signals or general purpose inputs/outputs.

**MCR[0]: DTR# Output**

The DTR# pin is a modem control output. If the modem interface is not used, this output may be used as a general purpose output.

- Logic 0 = Force DTR# output HIGH (default).
- Logic 1 = Force DTR# output LOW.

**MCR[1]: RTS# Output**

The RTS# pin is a modem control output and may be used for automatic hardware flow control by enabled by EFR bit-6. If the modem interface is not used, this output may be used as a general purpose output.

- Logic 0 = Force RTS# output HIGH (default).
- Logic 1 = Force RTS# output LOW. It is required to start Auto RTS Flow Control.

**MCR[2]: Reserved**

OP1# is not available as an output pin on the M670. But it is available for use during Internal Loopback Mode. In the Loopback Mode, this bit is used to write the state of the modem RI# interface signal.

**MCR[3]: INT Output Enable**

Enable or disable INT outputs to become active or in three-state. This bit is also used to control the OP2# signal during internal loopback mode.

- Logic 0 = INT output disabled (three state) in the 16 mode (default). During internal loopback mode, OP2# is HIGH.
- Logic 1 = INT output enabled (active) in the 16 mode. During internal loopback mode, OP2# is LOW.

TABLE 11: INT OUTPUT MODES

| MCR BIT-3 | INT OUTPUT IN 16 MODE |
|-----------|-----------------------|
| 0         | Three-State           |
| 1         | Active                |

**MCR[4]: Internal Loopback Enable**

- Logic 0 = Disable loopback mode (default).
- Logic 1 = Enable local loopback mode, see loopback section and [Figure 14](#).

**MCR[5]: Xon-Any Enable (requires EFR bit-4 = 1)**

- Logic 0 = Disable Xon-Any function (for 16C550 compatibility, default).
- Logic 1 = Enable Xon-Any function. In this mode, any RX character received will resume transmit operation. The RX character will be loaded into the RX FIFO, unless the RX character is an Xon or Xoff character and the M670 is programmed to use the Xon/Xoff flow control.

**MCR[6]: Infrared Encoder/Decoder Enable (requires EFR bit-4 = 1)**

- Logic 0 = Enable the standard modem receive and transmit input/output interface. (Default)
- Logic 1 = Enable infrared IrDA receive and transmit inputs/outputs. The TX/RX output/input are routed to the infrared encoder/decoder. The data input and output levels conform to the IrDA infrared interface requirement. The RX FIFO may need to be flushed upon enable. While in this mode, the infrared TX output will be LOW during idle data conditions.

**MCR[7]: Clock Prescaler Select (requires EFR bit-4 = 1)**

- Logic 0 = Divide by one. The input clock from the crystal or external clock is fed directly to the Programmable Baud Rate Generator without further modification, i.e., divide by one (default).
- Logic 1 = Divide by four. The prescaler divides the input clock from the crystal or external clock by four and feeds it to the Programmable Baud Rate Generator, hence, data rates become one fourth.



#### 4.8 Line Status Register (LSR) - Read Only

This register provides the status of data transfers between the UART and the host. If IER bit-2 is enabled, LSR bit 1 will generate an interrupt immediately and LSR bits 2-4 will generate an interrupt when a character with an error is in the RHR.

##### **LSR[0]: Receive Data Ready Indicator**

- Logic 0 = No data in receive holding register or FIFO (default).
- Logic 1 = Data has been received and is saved in the receive holding register or FIFO.

##### **LSR[1]: Receiver Overrun Flag**

- Logic 0 = No overrun error (default).
- Logic 1 = Overrun error. A data overrun error condition occurred in the receive shift register. This happens when additional data arrives while the FIFO is full. In this case the previous data in the receive shift register is overwritten. Note that under this condition the data byte in the receive shift register is not transferred into the FIFO, therefore the data in the FIFO is not corrupted by the error.

##### **LSR[2]: Receive Data Parity Error Tag**

- Logic 0 = No parity error (default).
- Logic 1 = Parity error. The receive character in RHR does not have correct parity information and is suspect. This error is associated with the character available for reading in RHR.

##### **LSR[3]: Receive Data Framing Error Tag**

- Logic 0 = No framing error (default).
- Logic 1 = Framing error. The receive character did not have a valid stop bit(s). This error is associated with the character available for reading in RHR.

##### **LSR[4]: Receive Break Tag**

- Logic 0 = No break condition (default).
- Logic 1 = The receiver received a break signal (RX was LOW for at least one character frame time). In the FIFO mode, only one break character is loaded into the FIFO. The break indication remains until the RX input returns to the idle condition, "mark" or HIGH.

##### **LSR[5]: Transmit Holding Register Empty Flag**

This bit is the Transmit Holding Register Empty indicator. The THR bit is set to a logic 1 when the last data byte is transferred from the transmit holding register to the transmit shift register. The bit is reset to logic 0 concurrently with the data loading to the transmit holding register by the host. In the FIFO mode this bit is set when the transmit FIFO is empty, it is cleared when the transmit FIFO contains at least 1 byte.

##### **LSR[6]: THR and TSR Empty Flag**

This bit is set to a logic 1 whenever the transmitter goes idle. It is set to logic 0 whenever either the THR or TSR contains a data character. In the FIFO mode this bit is set to a logic 1 whenever the transmit FIFO and transmit shift register are both empty.

##### **LSR[7]: Receive FIFO Data Error Flag**

- Logic 0 = No FIFO error (default).
- Logic 1 = A global indicator for the sum of all error bits in the RX FIFO. At least one parity error, framing error or break indication is in the FIFO data. This bit clears when there is no more error(s) in any of the bytes in the RX FIFO.

#### 4.9 Modem Status Register (MSR) - Read Only

This register provides the current state of the modem interface input signals. Lower four bits of this register are used to indicate the changed information. These bits are set to a logic 1 whenever a signal from the modem changes state. These bits may be used for general purpose inputs when they are not used with modem signals. Reading the higher four bits shows the status of the modem signals.

##### MSR[0]: Delta CTS# Input Flag

- Logic 0 = No change on CTS# input (default).
- Logic 1 = The CTS# input has changed state since the last time it was monitored. A modem status interrupt will be generated if MSR interrupt is enabled (IER bit-3).

##### MSR[1]: Delta DSR# Input Flag

- Logic 0 = No change on DSR# input (default).
- Logic 1 = The DSR# input has changed state since the last time it was monitored. A modem status interrupt will be generated if MSR interrupt is enabled (IER bit-3).

##### MSR[2]: Delta RI# Input Flag

- Logic 0 = No change on RI# input (default).
- Logic 1 = The RI# input has changed from LOW to HIGH, ending of the ringing signal. A modem status interrupt will be generated if MSR interrupt is enabled (IER bit-3).

##### MSR[3]: Delta CD# Input Flag

- Logic 0 = No change on CD# input (default).
- Logic 1 = Indicates that the CD# input has changed state since the last time it was monitored. A modem status interrupt will be generated if MSR interrupt is enabled (IER bit-3).

##### MSR[4]: CTS Input Status

CTS# pin may function as automatic hardware flow control signal input if it is enabled and selected by Auto CTS (EFR bit-7). Auto CTS Flow Control allows starting and stopping of local data transmissions based on the modem CTS# signal. A HIGH on the CTS# pin will stop UART transmitter as soon as the current character has finished transmission, and a LOW will resume data transmission. Normally MSR bit-4 bit is the complement of the CTS# input. However in the loopback mode, this bit is equivalent to the RTS# bit in the MCR register. The CTS# input may be used as a general purpose input when the modem interface is not used.

##### MSR[5]: DSR Input Status

Normally this bit is the complement of the DSR# input. In the loopback mode, this bit is equivalent to the DTR# bit in the MCR register. The DSR# input may be used as a general purpose input when the modem interface is not used.

##### MSR[6]: RI Input Status

Normally this bit is the complement of the RI# input. In the loopback mode this bit is equivalent to bit-2 in the MCR register. The RI# input may be used as a general purpose input when the modem interface is not used.

##### MSR[7]: CD Input Status

Normally this bit is the complement of the CD# input. In the loopback mode this bit is equivalent to bit-3 in the MCR register. The CD# input may be used as a general purpose input when the modem interface is not used.

#### 4.10 Modem Status Register (MSR) - Write Only

This register provides the advanced features of XR16M670. Lower four bits of this register are reserved. Writing to the higher four bits enables additional functions.

**MSR[3:0]: Reserved**

**MSR[4]: Enable/Disable Transmitter (Requires EFR[4] = 1)**

- Logic 0 = Enable Transmitter (default).
- Logic 1 = Disable Transmitter.

**MSR[5]: Enable/Disable Receiver (Requires EFR[4] = 1)**

- Logic 0 = Enable Receiver (default).
- Logic 1 = Disable Receiver.

**MSR[6]: Enable/Disable 9-bit mode (Requires EFR[4] = 1)**

For the 9-bit mode information, [See "Section 2.15, Normal Multidrop Mode" on page 18.](#)

- Logic 0 = Normal 8-bit mode (default).
- Logic 1 = Enable 9-bit or Multidrop mode.

**MSR[7]: Enable/Disable fast IR mode (Requires EFR[4] = 1)**

The M670 supports the new fast IR transmission with data rate up to 1.152 Mbps.

- Logic 0 = IrDA version 1.0, 3/16 pulse ratio, data rate up to 115.2 Kbps (default).
- Logic 1 = IrDA version 1.1, 1/4 pulse ratio, data rate up to 1.152 Mbps. For more IR mode information, please [See "Section 2.16, Infrared Mode" on page 19.](#)

#### 4.11 Scratch Pad Register (SPR) - Read/Write

This is a 8-bit general purpose register for the user to store temporary data. The content of this register is preserved during sleep mode but becomes 0xFF (default) after a reset or a power off-on cycle.

#### 4.12 Enhanced Mode Select Register (EMSR) - Write-only

This register replaces SPR (during a Write) and is accessible only when FCTR[6] = 1.

**EMSR[1:0]: Receive/Transmit FIFO Level Count**

When Scratchpad Swap (FCTR[6]) is asserted, EMSR bits 1-0 controls what mode the FIFO Level Counter is operating in.

**TABLE 12: SCRATCHPAD SWAP SELECTION**

| FCTR[6] | EMSR[1] | EMSR[0] | Scratchpad is                     |
|---------|---------|---------|-----------------------------------|
| 0       | X       | X       | Scratchpad                        |
| 1       | X       | 0       | RX FIFO Level Counter Mode        |
| 1       | 0       | 1       | TX FIFO Level Counter Mode        |
| 1       | 1       | 1       | Alternate RX/TX FIFO Counter Mode |

During Alternate RX/TX FIFO Level Counter Mode, the first value read after EMSR bits 1-0 have been asserted will always be the RX FIFO Level Counter. The second value read will correspond with the TX FIFO Level Counter. The next value will be the RX FIFO Level Counter again, then the TX FIFO Level Counter and so on and so forth.

**EMSR[2]: Send TX Immediately**

- Logic 0 = Do not send TX immediately (default).
- Logic 1 = Send TX immediately. When FIFO is enabled and this bit is set, the next data will be to the TX shift register. Thus, the data will be sent out immediately instead of queuing in the FIFO. Every time, only 1 byte will be sent out. Once this byte has been sent out, the EMSR[2] will go back to 0 automatically. If more than 1 byte will be sent out, EMSR[2] needs to be set to 1 for each byte.

**EMSR[3]: Invert RTS in RS485 mode**

- Logic 0 = RTS# output is a logic 0 during TX and a logic 1 during RX (default).
- Logic 1 = RTS# output is a logic 1 during TX and a logic 0 during RX.

**EMSR[5:4]: Reserved****EMSR[6]: LSR Interrupt Mode**

- Logic 0 = LSR Interrupt Delayed (default). LSR bits 2, 3, and 4 will generate an interrupt when the character with the error is in the RHR.
- Logic 1 = LSR Interrupt Immediate. LSR bits 2, 3, and 4 will generate an interrupt as soon as the character is received into the FIFO.

**EMSR[7]: Xoff/Special character Interrupt Mode Select**

This bit selects how the Xoff and Special character interrupt is cleared. The XON interrupt can only be cleared by reading the ISR register.

- Logic 0 = Xoff interrupt is cleared by either reading ISR register or when an XON character is received. Special character interrupt is cleared by either reading ISR register or when next character is received. (default).
- Logic 1 = Xoff/Special character interrupt can only be cleared by reading the ISR register.

**4.13 Baud Rate Generator Registers (DLL, DLM and DLD) - Read/Write**

These registers make-up the value of the baud rate divisor. The M670 has different DLL, DLM and DLD for transmitter and receiver. It provides more convenience for the transmitter and receiver to transmit data with different rate. The M670 uses DLD[7:6] to select TX or RX. Then it provides DLD[5:0] to select the sampling frequency and fractional baud rate divisor. The concatenation of the contents of DLM and DLL gives the 16-bit divisor value. The value is added to DLD[3:0]/16 to achieve the fractional baud rate divisor. DLD must be enabled via EFR bit-4 before it can be accessed. See [Table 13](#) below and [See "Section 2.7, Programmable Baud Rate Generator with Fractional Divisor" on page 11.](#)

**DLD[5:4]: Sampling Rate Select**

These bits select the data sampling rate. By default, the data sampling rate is 16X. The maximum data rate will double if the 8X mode is selected and will quadruple if the 4X mode is selected. See [Table 13](#) below.

**TABLE 13: SAMPLING RATE SELECT**

| DLD[5] | DLD[4] | SAMPLING RATE |
|--------|--------|---------------|
| 0      | 0      | 16X           |
| 0      | 1      | 8X            |
| 1      | X      | 4X            |

**DLD[6]: Independent BRG enable**

- Logic 0 = The Transmitter and Receiver uses the same Baud Rate Generator. (default).
- Logic 1 = The Transmitter and Receiver uses different Baud Rate Generators. Use DLD[7] for selecting which baud rate generator to configure.

**DLD[7]: BRG select**

When DLD[6] = 1, this bit selects whether the values written to DLL, DLM and DLD[5:0] will be for the Transmit Baud Rate Generator or the Receive Baud Rate Generator. When DLD[6] = 0 (same Baud Rate Generator used for both TX and RX), this bit must be a logic 0 to properly write to the appropriate DLL, DLM and DLD[5:0].

**TABLE 14: BRG SELECT**

| DLD[7] | DLD[6] | BRG   |
|--------|--------|---|
| 0      | 0      | Transmitter and Receiver uses same BRG.<br>Writing to DLL, DLM and DLD[5:0] configures the BRG for both the TX and RX.  |
| 0      | 1      | Transmitter and Receiver uses different BRGs.<br>Writing to DLL, DLM and DLD[5:0] configures the BRG for TX.            |
| 1      | 1      | Transmitter and Receiver uses different BRGs.<br>Writing to DLL, DLM and DLD[5:0] configures the BRG for RX.            |
| 1      | 0      | Transmitter and Receiver uses same BRG.<br>Writing to DLL, DLM and DLD[5:0] has no effect on BRG used by the TX and RX. |

**4.14 RX/TX FIFO Level Count Register (FC) - Read-Only**

This register replaces SPR (during a read) and is accessible when FCTR[6] = 1. This register is also accessible when LCR = 0xBF. It is suggested to read the FIFO Level Count Register at the Scratchpad Register location when FCTR bit-6 = 1. See [Table 12](#).

**FC[7:0]: RX/TX FIFO Level Count**

Receive/Transmit FIFO Level Count. Number of characters in Receiver FIFO (FCTR[7] = 0) or Transmitter FIFO (FCTR[7] = 1) can be read via this register. Reading this register is not recommended when transmitting or receiving data.

**4.15 Feature Control Register (FCTR) - Read/Write**
**FCTR[1:0]: Reserved**
**FCTR[2]: IrDa RX Inversion**

- Logic 0 = Select RX input as encoded IrDa data (Idle state will be LOW).
- Logic 1 = Select RX input as inverted encoded IrDa data (Idle state will be HIGH).

**FCTR[3]: Auto RS-485 Direction Control**

- Logic 0 = Standard ST16C550 mode. Transmitter generates an interrupt when transmit holding register becomes empty and transmit shift register is shifting data out.
- Logic 1 = Enable Auto RS485 Direction Control function. The direction control signal, RTS# pin, changes its output logic state from LOW to HIGH one bit time after the last stop bit of the last character is shifted out. Also, the Transmit interrupt generation is delayed until the transmitter shift register becomes empty. The RTS# output pin will automatically return to a LOW when a data byte is loaded into the TX FIFO. However, RTS# behavior can be inverted by setting EMSR[3] = 1.

**FCTR[5:4]: Reserved**

**FCTR[6]: Scratchpad Swap**

- Logic 0 = Scratch Pad register is selected as general read and write register. ST16C550 compatible mode.
- Logic 1 = FIFO Count register (Read-Only), Enhanced Mode Select Register (Write-Only). Number of characters in transmit or receive FIFO can be read via scratch pad register when this bit is set. Enhanced Mode Select Register is selected when it is written into.

**FCTR[7]: Programmable Trigger Register Select**

- Logic 0 = Register FC selected for RX.
- Logic 1 = Register FC selected for TX.

**4.16 Enhanced Feature Register (EFR) - Read/Write**

Enhanced features are enabled or disabled using this register. Bit 0-3 provide single or dual consecutive character software flow control selection (see [Table 15](#)). When the Xon1 and Xon2 and Xoff1 and Xoff2 modes are selected, the double 8-bit words are concatenated into two sequential characters. Caution: note that whenever changing the TX or RX flow control bits, always reset all bits back to logic 0 (disable) before programming a new setting.

**EFR[3:0]: Software Flow Control Select**

Single character and dual sequential characters software flow control is supported. Combinations of software flow control can be selected by programming these bits.

**TABLE 15: SOFTWARE FLOW CONTROL FUNCTIONS**

| EFR BIT-3<br>CONT-3 | EFR BIT-2<br>CONT-2 | EFR BIT-1<br>CONT-1 | EFR BIT-0<br>CONT-0 | TRANSMIT AND RECEIVE SOFTWARE FLOW CONTROL   |
|---------------------|---------------------|---------------------|---------------------|--|
| 0                   | 0                   | 0                   | 0                   | No TX and RX flow control (default and reset)  |
| 0                   | 0                   | X                   | X                   | No transmit flow control   |
| 1                   | 0                   | X                   | X                   | Transmit Xon1, Xoff1   |
| 0                   | 1                   | X                   | X                   | Transmit Xon2, Xoff2   |
| 1                   | 1                   | X                   | X                   | Transmit Xon1 and Xon2, Xoff1 and Xoff2  |
| X                   | X                   | 0                   | 0                   | No receive flow control  |
| X                   | X                   | 1                   | 0                   | Receiver compares Xon1, Xoff1  |
| X                   | X                   | 0                   | 1                   | Receiver compares Xon2, Xoff2  |
| 1                   | 0                   | 1                   | 1                   | Transmit Xon1, Xoff1<br>Receiver compares Xon1 or Xon2, Xoff1 or Xoff2                       |
| 0                   | 1                   | 1                   | 1                   | Transmit Xon2, Xoff2<br>Receiver compares Xon1 or Xon2, Xoff1 or Xoff2                       |
| 1                   | 1                   | 1                   | 1                   | Transmit Xon1 and Xon2, Xoff1 and Xoff2,<br>Receiver compares Xon1 and Xon2, Xoff1 and Xoff2 |
| 0                   | 0                   | 1                   | 1                   | No transmit flow control,<br>Receiver compares Xon1 and Xon2, Xoff1 and Xoff2                |

**EFR[4]: Enhanced Function Bits Enable**

Enhanced function control bit. This bit enables IER bits 4-7, ISR bits 4-5, FCR bits 3-5, MCR bits 5-7, and DLD to be modified. After modifying any enhanced bits, EFR bit-4 can be set to a logic 0 to latch the new values. This feature prevents legacy software from altering or overwriting the enhanced functions once set. Normally, it is recommended to leave it enabled, logic 1.

- Logic 0 = modification disable/latch enhanced features. IER bits 4-7, ISR bits 4-5, FCR bits 3-5, MCR bits 5-7, and DLD are saved to retain the user settings. After a reset, the IER bits 4-7, ISR bits 4-5, FCR bits 3-5, and MCR bits 5-7, and DLD are set to a logic 0 to be compatible with ST16C550 mode (default).
- Logic 1 = Enables the EFR[3:0] register bits to be modified by the user.

**EFR[5]: Special Character Detect Enable**

- Logic 0 = Special Character Detect Disabled (default).
- Logic 1 = Special Character Detect Enabled. The UART compares each incoming receive character with data in Xoff-2 register. If a match exists, the receive data will be transferred to FIFO and ISR bit-4 will be set to indicate detection of the special character. Bit-0 corresponds with the LSB bit of the receive character. If flow control is set for comparing Xon1, Xoff1 (EFR [1:0]= '10') then flow control and special character work normally. However, if flow control is set for comparing Xon2, Xoff2 (EFR[1:0]= '01') then flow control works normally, but Xoff2 will not go to the FIFO, and will generate an Xoff interrupt and a special character interrupt, if enabled via IER bit-5.

**EFR[6]: Auto RTS Flow Control Enable**

RTS# output may be used for hardware flow control by setting EFR bit-6 to logic 1. When Auto RTS is selected, an interrupt will be generated when the receive FIFO is filled to the selected trigger level and RTS de-asserts HIGH at the next upper trigger level/hysteresis level. RTS# will return LOW when FIFO data falls below the next lower trigger level/hysteresis level. The RTS# output must be asserted (LOW) before the auto RTS can take effect. RTS# pin will function as a general purpose output when hardware flow control is disabled.

- Logic 0 = Automatic RTS flow control is disabled (default).
- Logic 1 = Enable Automatic RTS flow control.

**EFR[7]: Auto CTS Flow Control Enable**

Automatic CTS Flow Control.

- Logic 0 = Automatic CTS flow control is disabled (default).
- Logic 1 = Enable Automatic CTS flow control. Data transmission stops when CTS# input de-asserts to logic 1. Data transmission resumes when CTS# returns to a logic 0.

**4.17 Software Flow Control Registers (XOFF1, XOFF2, XON1, XON2) - Read/Write**

These registers are used as the programmable software flow control characters xoff1, xoff2, xon1, and xon2. For more details, see [Table 5](#). The xoff2 is also used as auto address detect register when the auto 9-bit mode enabled. [See "Section 2.15.1, Auto Address Detection" on page 19.](#)

TABLE 16: UART RESET CONDITIONS

| REGISTERS                    | RESET STATE   |
|------------------------------|---|
| DLM, DLL<br>(Both TX and RX) | DLM = 0x00 and DLL = 0x01. Only resets to these values during a power up. They do not reset when the Reset Pin is asserted. |
| DLD                          | Bits 7-0 = 0x00   |
| RHR                          | Bits 7-0 = 0xXX   |
| THR                          | Bits 7-0 = 0xXX   |
| IER                          | Bits 7-0 = 0x00   |
| FCR                          | Bits 7-0 = 0x00   |
| ISR                          | Bits 7-0 = 0x01   |
| LCR                          | Bits 7-0 = 0x00   |
| MCR                          | Bits 7-0 = 0x00   |
| LSR                          | Bits 7-0 = 0x60   |
| MSR                          | Bits 7-0 = 0xX0 (Read-only)<br>Bits 7-4 = 0000 (Write-only)   |
| SPR                          | Bits 7-0 = 0xFF   |
| EMSR                         | Bits 7-0 = 0x00   |
| FC                           | Bits 7-0 = 0x00   |
| FCTR                         | Bits 7-0 = 0x00   |
| EFR                          | Bits 7-0 = 0x00   |
| XON1                         | Bits 7-0 = 0x00   |
| XON2                         | Bits 7-0 = 0x00   |
| XOFF1                        | Bits 7-0 = 0x00   |
| XOFF2                        | Bits 7-0 = 0x00   |
| I/O SIGNALS                  | RESET STATE   |
| TX                           | HIGH  |
| RTS#                         | HIGH  |
| DTR#                         | HIGH  |
| INT                          | Three-State Condition   |



**ABSOLUTE MAXIMUM RATINGS**

|                       |                    |
|-----------------------|--------------------|
| Power Supply Range    | 3.6 Volts          |
| Voltage at Any Pin    | GND-0.3 V to 3.6 V |
| Operating Temperature | -40° to +85°C      |
| Storage Temperature   | -65° to +150°C     |
| Package Dissipation   | 500 mW             |

**TYPICAL PACKAGE THERMAL RESISTANCE DATA (MARGIN OF ERROR: ± 15%)**

|                             |   |
|-----------------------------|---|
| Thermal Resistance (32-QFN) | theta-ja = 33°C/W, theta-jc = 22°C/W    |
| Thermal Resistance (24-QFN) | theta-ja = 38°C/W, theta-jc = 26°C/W    |
| Thermal Resistance (25-BGA) | theta-ja = 166°C/W, theta-jc = 98.2°C/W |

**ELECTRICAL CHARACTERISTICS**
**DC ELECTRICAL CHARACTERISTICS**
**UNLESS OTHERWISE NOTED: TA = -40° TO +85°C, VCC IS 1.62 TO 3.63V**

| SYMBOL                                    | PARAMETER                  | LIMITS<br>1.8V |     | LIMITS<br>2.5V |     | LIMITS<br>3.3V |     | UNITS | CONDITIONS  |
|---|----------------------------|----------------|-----|----------------|-----|----------------|-----|-------|---|
|   |                            | MIN            | MAX | MIN            | MAX | MIN            | MAX |       |   |
| V <sub>ILCK</sub>                         | Clock Input Low Level      | -0.3           | 0.3 | -0.3           | 0.4 | -0.3           | 0.6 | V     |   |
| V <sub>IHCK</sub>                         | Clock Input High Level     | 1.4            | VCC | 2.0            | VCC | 2.4            | VCC | V     |   |
| V <sub>IL</sub>                           | Input Low Voltage          | -0.3           | 0.2 | -0.3           | 0.5 | -0.3           | 0.7 | V     |   |
| V <sub>IH</sub>                           | Input High Voltage         | 1.4            | VCC | 1.8            | VCC | 2.0            | VCC | V     |   |
| V <sub>OL</sub>                           | Output Low Voltage         |                | 0.4 |                | 0.4 |                | 0.4 | V     | I <sub>OL</sub> = 6 mA<br>I <sub>OL</sub> = 4 mA<br>I <sub>OL</sub> = 1.5 mA    |
| V <sub>OH</sub>                           | Output High Voltage        | 1.4            |     | 1.8            |     | 2.0            |     | V     | I <sub>OH</sub> = -4 mA<br>I <sub>OH</sub> = -2 mA<br>I <sub>OH</sub> = -200 uA |
| I <sub>IL</sub>                           | Input Low Leakage Current  |                | ±15 |                | ±15 |                | ±15 | uA    |   |
| I <sub>IH</sub>                           | Input High Leakage Current |                | ±15 |                | ±15 |                | ±15 | uA    |   |
| C <sub>IN</sub>                           | Input Pin Capacitance      |                | 5   |                | 5   |                | 5   | pF    |   |
| I <sub>CC</sub>                           | Power Supply Current       |                | 1.5 |                | 2   |                | 2.5 | mA    | Ext Clk = 5MHz  |
| I <sub>SLEEP/</sub><br>I <sub>PWRSV</sub> | Sleep / Power Save Current |                | 3   |                | 6   |                | 15  | uA    | See Test 1  |

Test 1: The following inputs remain steady at VCC or GND state to minimize Sleep current: A0-A2, D0-D7, IOR#, IOW#, CS#. Also, RX input must idle at HIGH while asleep. For Power-Save, the UART internally isolates all of these inputs (except the modem inputs and Reset pins) therefore eliminating any unnecessary external buffers to keep the inputs steady.

**SEE "POWER-SAVE FEATURE" ON PAGE 21.** To achieve minimum power drain, the voltage at any of the inputs of the M670 should NOT be lower than its VCC supply.

### AC ELECTRICAL CHARACTERISTICS

**TA = -40° TO +85°C, VCC IS 1.62 TO 3.6V, 70 PF LOAD WHERE APPLICABLE**

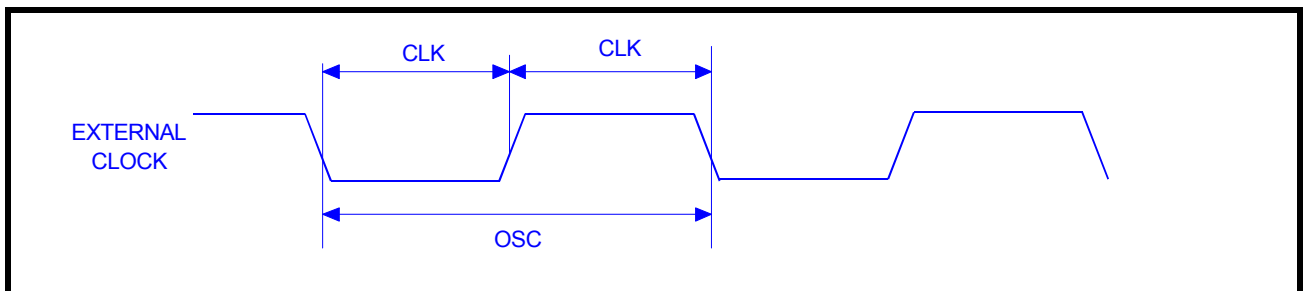
| SYMBOL            | PARAMETER                                      | LIMITS<br>1.8V ± 10% |     | LIMITS<br>2.5V ± 10% |     | LIMITS<br>3.3V ± 10% |     | UNIT |
|-------------------|--|----------------------|-----|----------------------|-----|----------------------|-----|------|
|                   |  | MIN                  | MAX | MIN                  | MAX | MIN                  | MAX |      |
| XTAL1             | UART Crystal Frequency                         |                      | 24  |                      | 24  |                      | 24  | MHz  |
| ECLK              | External Clock Frequency                       |                      | 30  |                      | 50  |                      | 64  | MHz  |
| T <sub>ECLK</sub> | External Clock Time Period                     | 15                   |     | 9                    |     | 7                    |     | ns   |
| T <sub>AS</sub>   | Address Setup Time                             | 0                    |     | 0                    |     | 0                    |     | ns   |
| T <sub>AH</sub>   | Address Hold Time                              | 0                    |     | 0                    |     | 0                    |     | ns   |
| T <sub>CS</sub>   | Chip Select Width                              | 90                   |     | 60                   |     | 35                   |     | ns   |
| T <sub>RD</sub>   | IOR# Strobe Width                              | 90                   |     | 60                   |     | 35                   |     | ns   |
| T <sub>DY</sub>   | Read Cycle Delay                               | 90                   |     | 60                   |     | 35                   |     | ns   |
| T <sub>RDV</sub>  | Data Access Time                               |                      | 85  |                      | 55  |                      | 30  | ns   |
| T <sub>DD</sub>   | Data Disable Time                              |                      | 25  |                      | 10  |                      | 5   | ns   |
| T <sub>WR</sub>   | IOW# Strobe Width                              | 90                   |     | 60                   |     | 35                   |     | ns   |
| T <sub>DY</sub>   | Write Cycle Delay                              | 90                   |     | 60                   |     | 35                   |     | ns   |
| T <sub>DS</sub>   | Data Setup Time                                | 30                   |     | 15                   |     | 10                   |     | ns   |
| T <sub>DH</sub>   | Data Hold Time                                 | 3                    |     | 3                    |     | 3                    |     | ns   |
| T <sub>WDO</sub>  | Delay From IOW# To Output                      |                      | 50  |                      | 50  |                      | 50  | ns   |
| T <sub>MOD</sub>  | Delay To Set Interrupt From MODEM Input        |                      | 50  |                      | 50  |                      | 50  | ns   |
| T <sub>RSI</sub>  | Delay To Reset Interrupt From IOR#             |                      | 50  |                      | 50  |                      | 50  | ns   |
| T <sub>SSI</sub>  | Delay From Stop To Set Interrupt               |                      | 1   |                      | 1   |                      | 1   | Bclk |
| T <sub>RRI</sub>  | Delay From IOR# To Reset Interrupt             |                      | 45  |                      | 45  |                      | 45  | ns   |
| T <sub>SI</sub>   | Delay From Start To Interrupt                  |                      | 45  |                      | 45  |                      | 45  | ns   |
| T <sub>INT</sub>  | Delay From Initial INT Reset To Transmit Start | 8                    | 24  | 8                    | 24  | 8                    | 24  | Bclk |
| T <sub>WRI</sub>  | Delay From IOW# To Reset Interrupt             |                      | 45  |                      | 45  |                      | 45  | ns   |
| T <sub>SSR</sub>  | Delay From Stop To Set RXRDY#                  |                      | 1   |                      | 1   |                      | 1   | Bclk |
| T <sub>RR</sub>   | Delay From IOR# To Reset RXRDY#                |                      | 45  |                      | 45  |                      | 45  | ns   |
| T <sub>WT</sub>   | Delay From IOW# To Set TXRDY#                  |                      | 45  |                      | 45  |                      | 45  | ns   |

**AC ELECTRICAL CHARACTERISTICS**

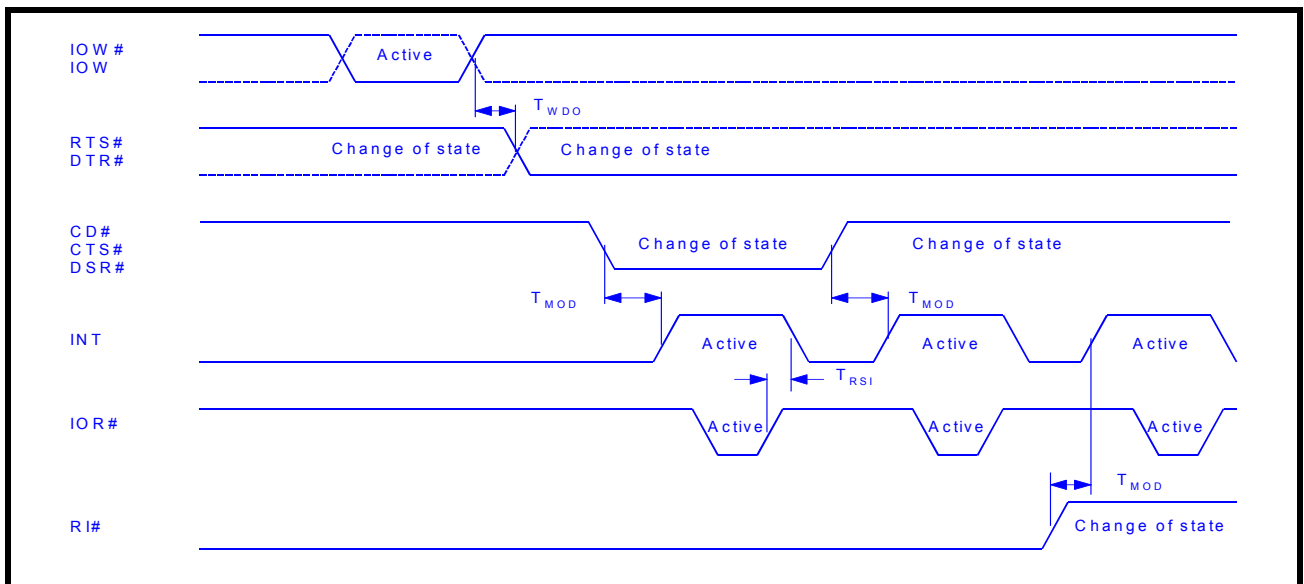
*TA = -40° TO +85°C, VCC IS 1.62 TO 3.6V, 70 PF LOAD WHERE APPLICABLE*

| SYMBOL           | PARAMETER                                  | LIMITS<br>1.8V ± 10%         |     | LIMITS<br>2.5V ± 10% |     | LIMITS<br>3.3V ± 10% |     | UNIT |
|------------------|--|------------------------------|-----|----------------------|-----|----------------------|-----|------|
|                  |  | MIN                          | MAX | MIN                  | MAX | MIN                  | MAX |      |
| T <sub>SRT</sub> | Delay From Center of Start To Reset TXRDY# |                              | 8   |                      | 8   |                      | 8   | Bclk |
| T <sub>RST</sub> | Reset Pulse Width                          | 40                           |     | 40                   |     | 40                   |     | ns   |
| Bclk             | Baud Clock                                 | 16X or 8X or 4X of data rate |     |                      |     |                      |     | Hz   |

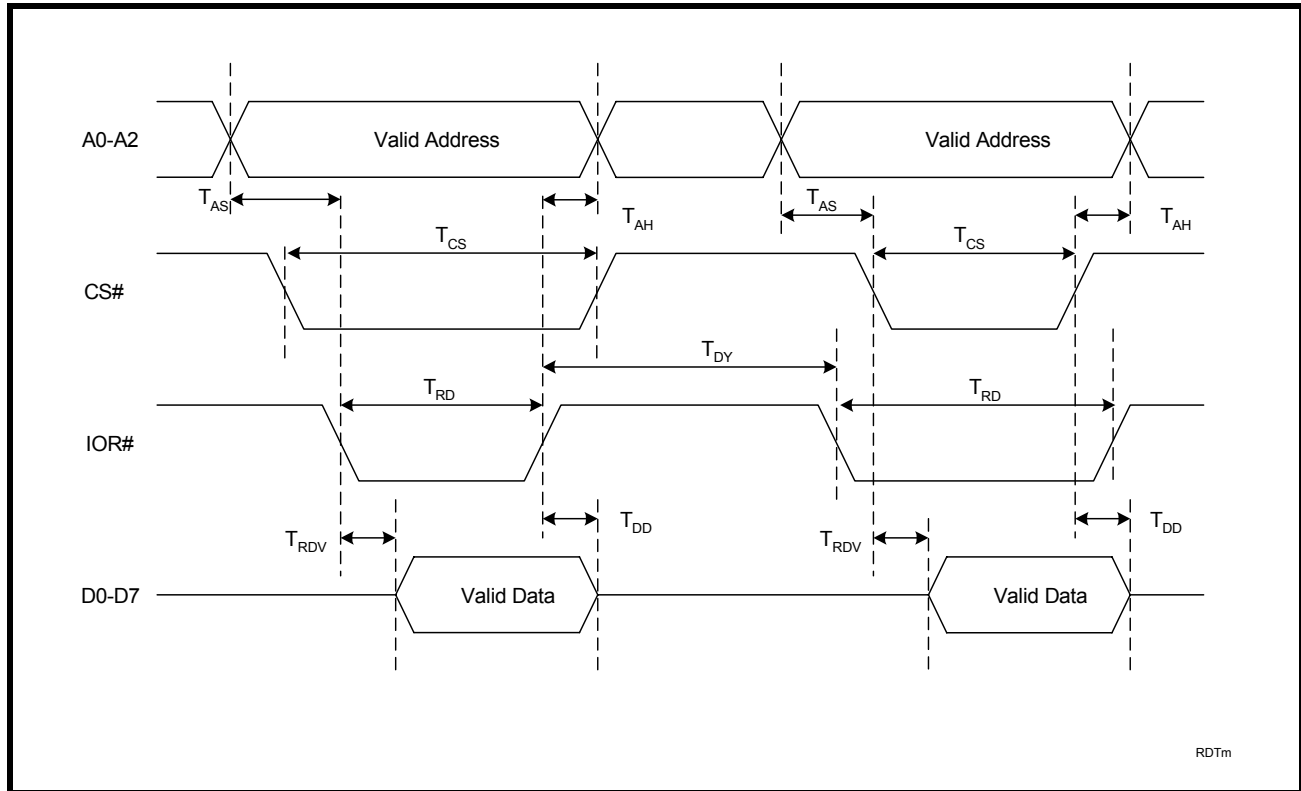
**FIGURE 15. CLOCK TIMING**



**FIGURE 16. MODEM INPUT/OUTPUT TIMING**



**FIGURE 17. 16 MODE (INTEL) DATA BUS READ TIMING**



**FIGURE 18. 16 MODE (INTEL) DATA BUS WRITE TIMING**

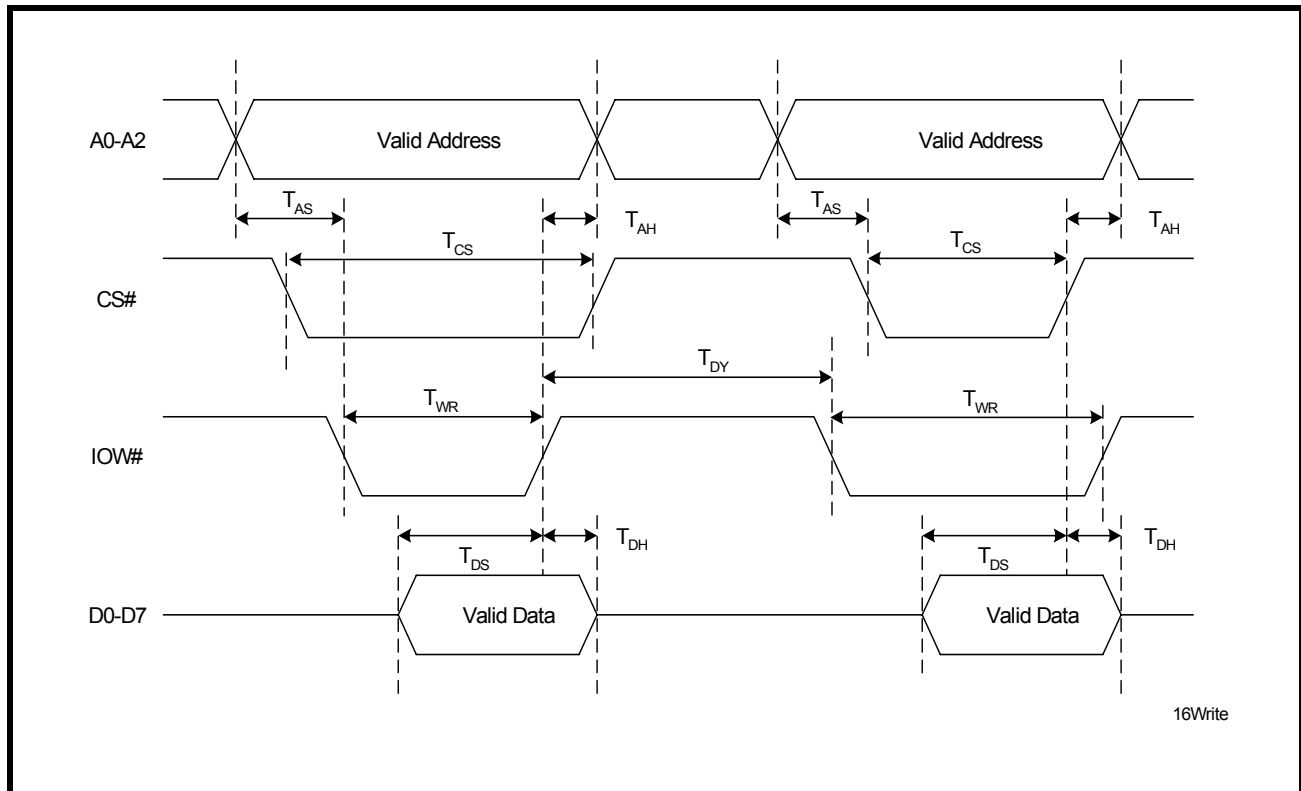


FIGURE 19. RECEIVE READY & INTERRUPT TIMING [NON-FIFO MODE]

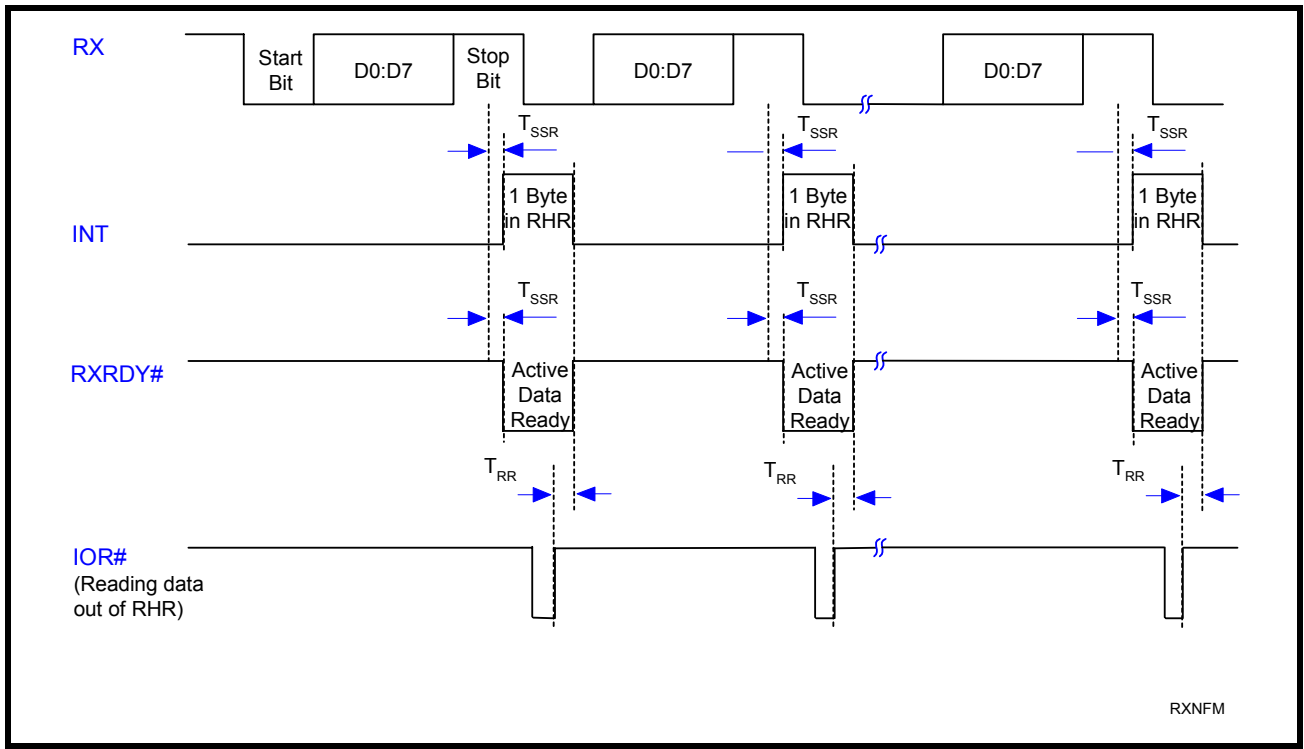
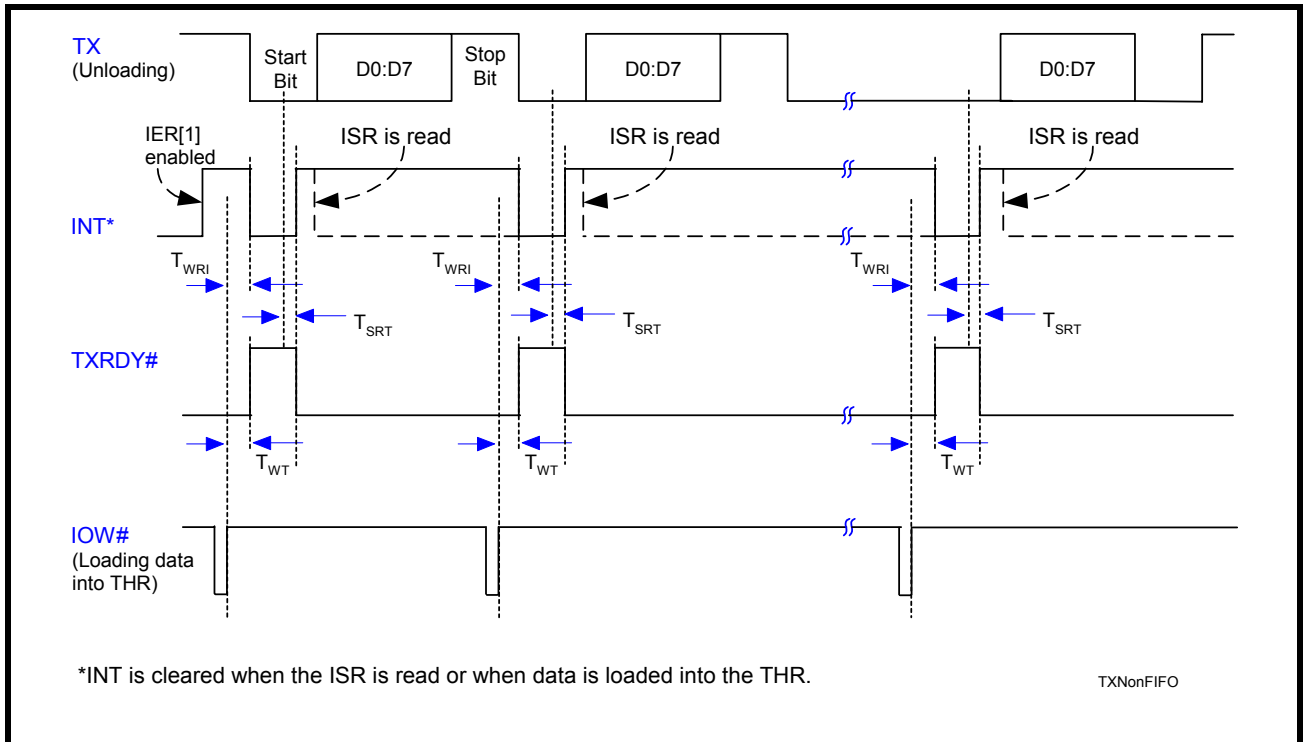
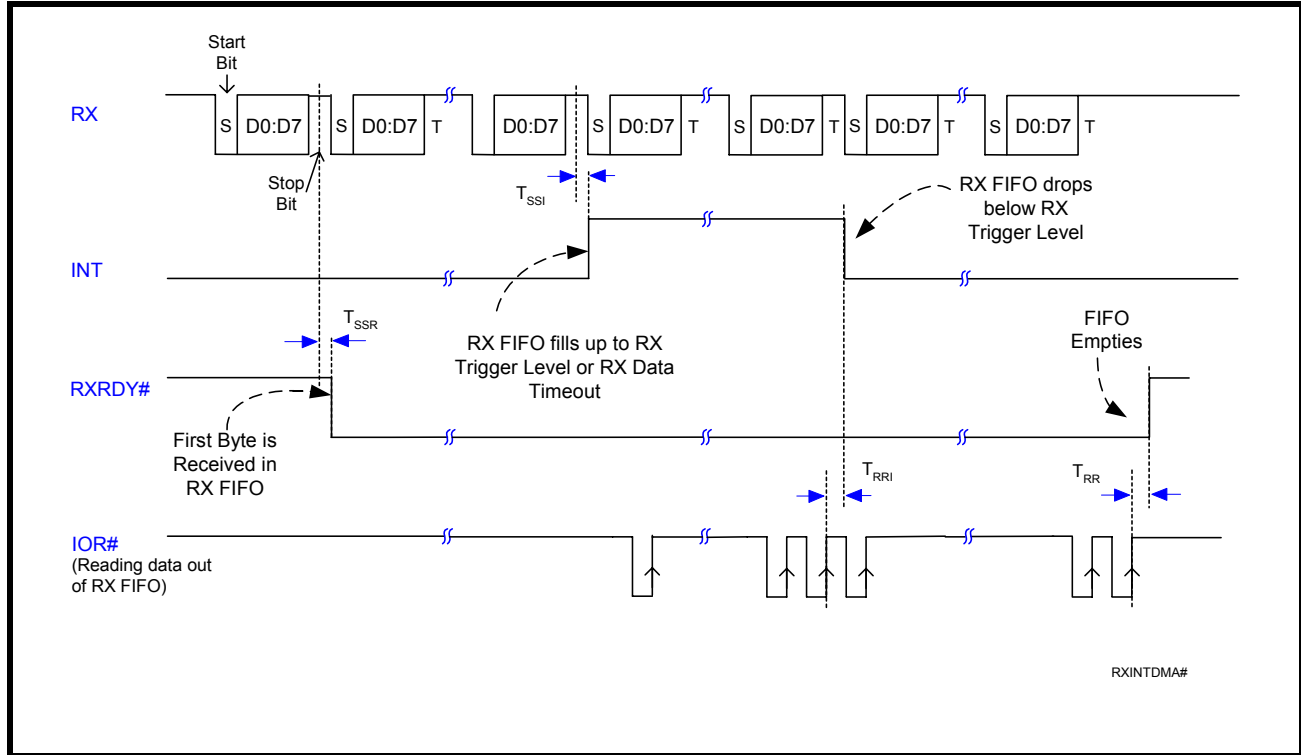


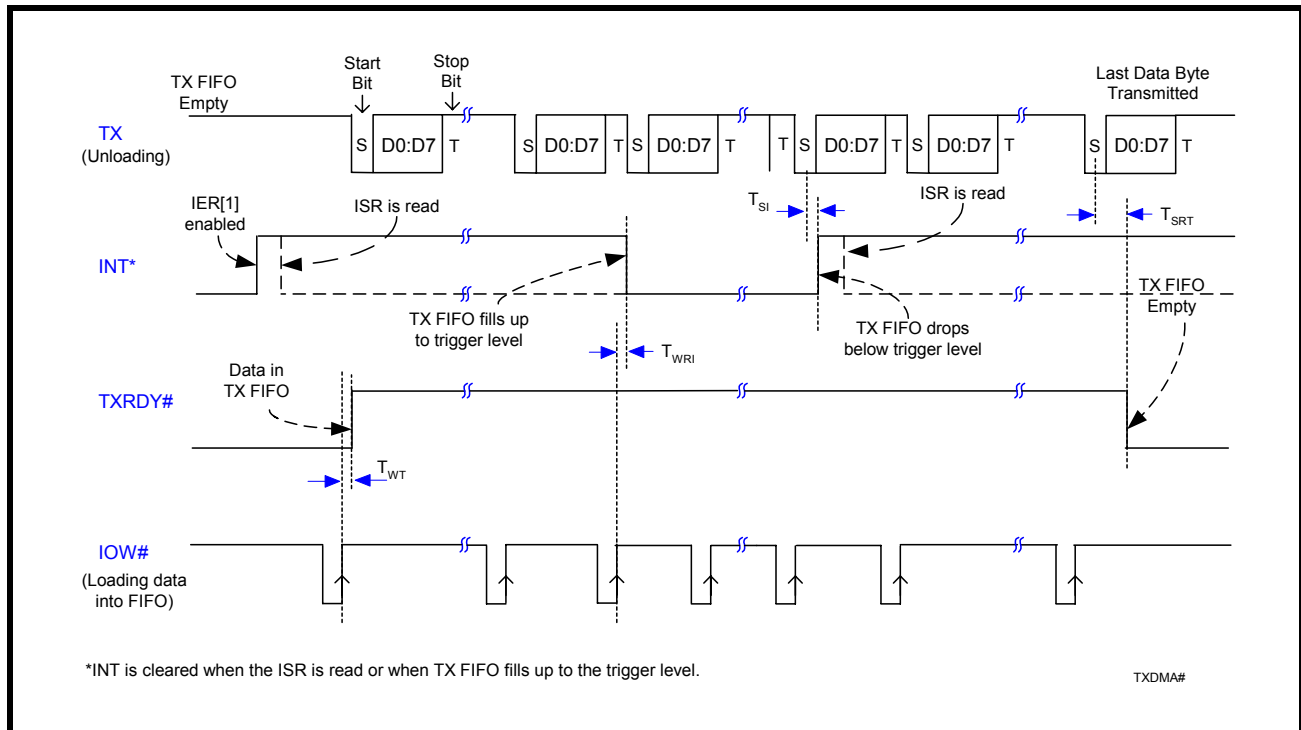
FIGURE 20. TRANSMIT READY & INTERRUPT TIMING [NON-FIFO MODE]

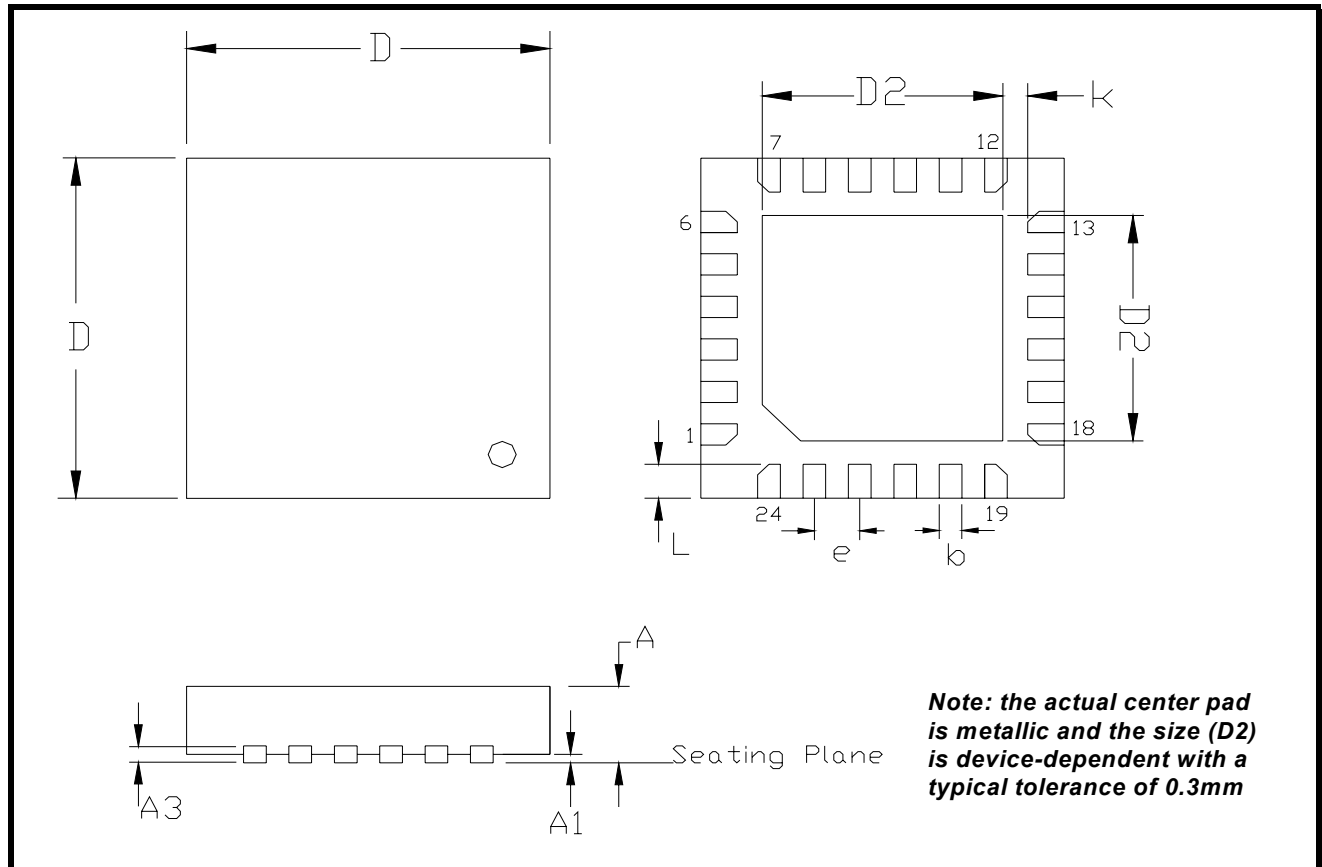


**FIGURE 21. RECEIVE READY & INTERRUPT TIMING [FIFO MODE]**



**FIGURE 22. TRANSMIT READY & INTERRUPT TIMING [FIFO MODE]**

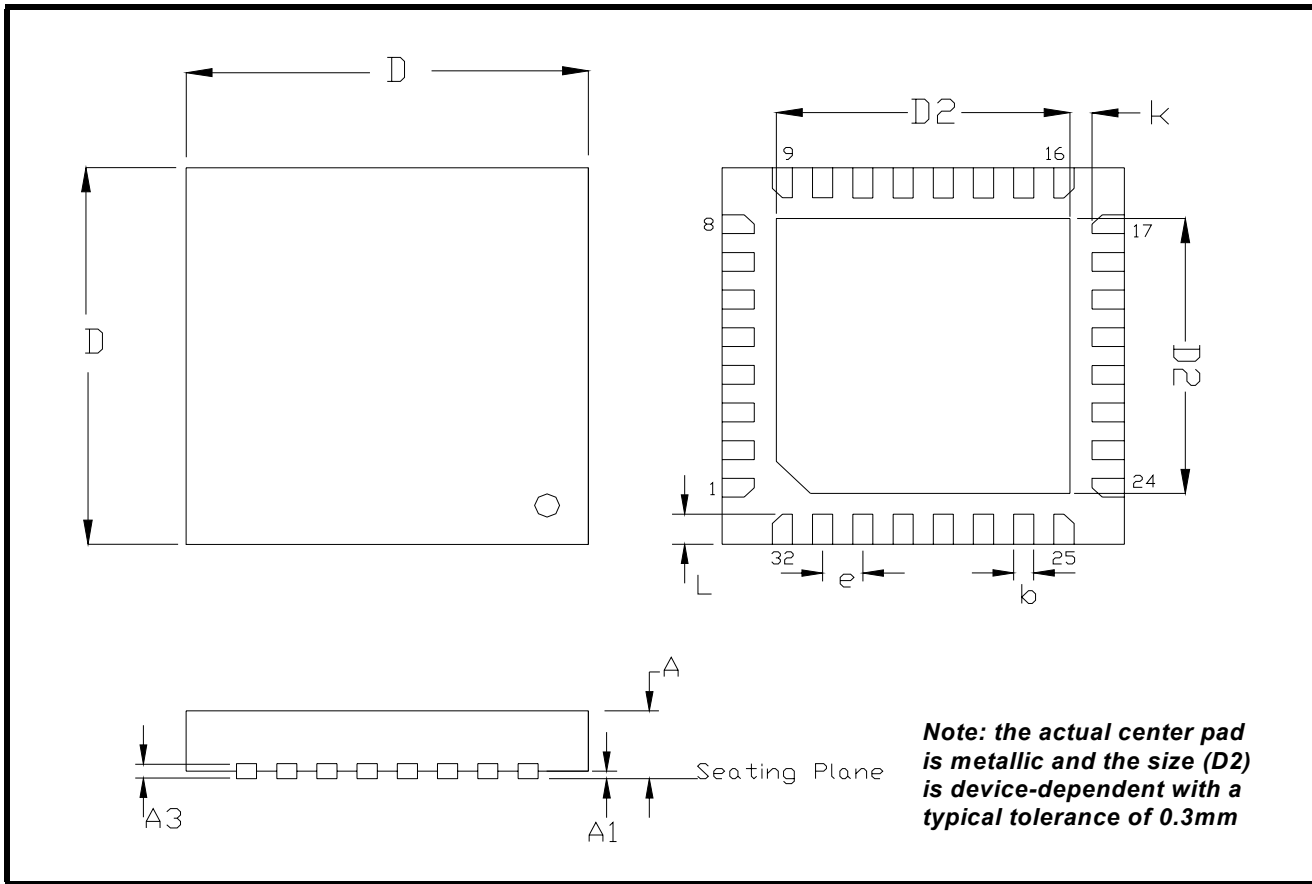


**PACKAGE DIMENSIONS (24 PIN QFN - 4 X 4 X 0.9 mm)**


*Note: The control dimension is in millimeter.*

| SYMBOL | INCHES     |       | MILLIMETERS |      |
|--------|------------|-------|-------------|------|
|        | MIN        | MAX   | MIN         | MAX  |
| A      | 0.031      | 0.039 | 0.80        | 1.00 |
| A1     | 0.000      | 0.002 | 0.00        | 0.05 |
| A3     | 0.006      | 0.010 | 0.15        | 0.25 |
| D      | 0.154      | 0.161 | 3.90        | 4.10 |
| D2     | 0.098      | 0.110 | 2.50        | 2.80 |
| b      | 0.007      | 0.012 | 0.18        | 0.30 |
| e      | 0.0197 BSC |       | 0.50 BSC    |      |
| L      | 0.014      | 0.018 | 0.35        | 0.45 |
| k      | 0.008      | -     | 0.20        | -    |

PACKAGE DIMENSIONS (32 PIN QFN - 5 X 5 X 0.9 mm)

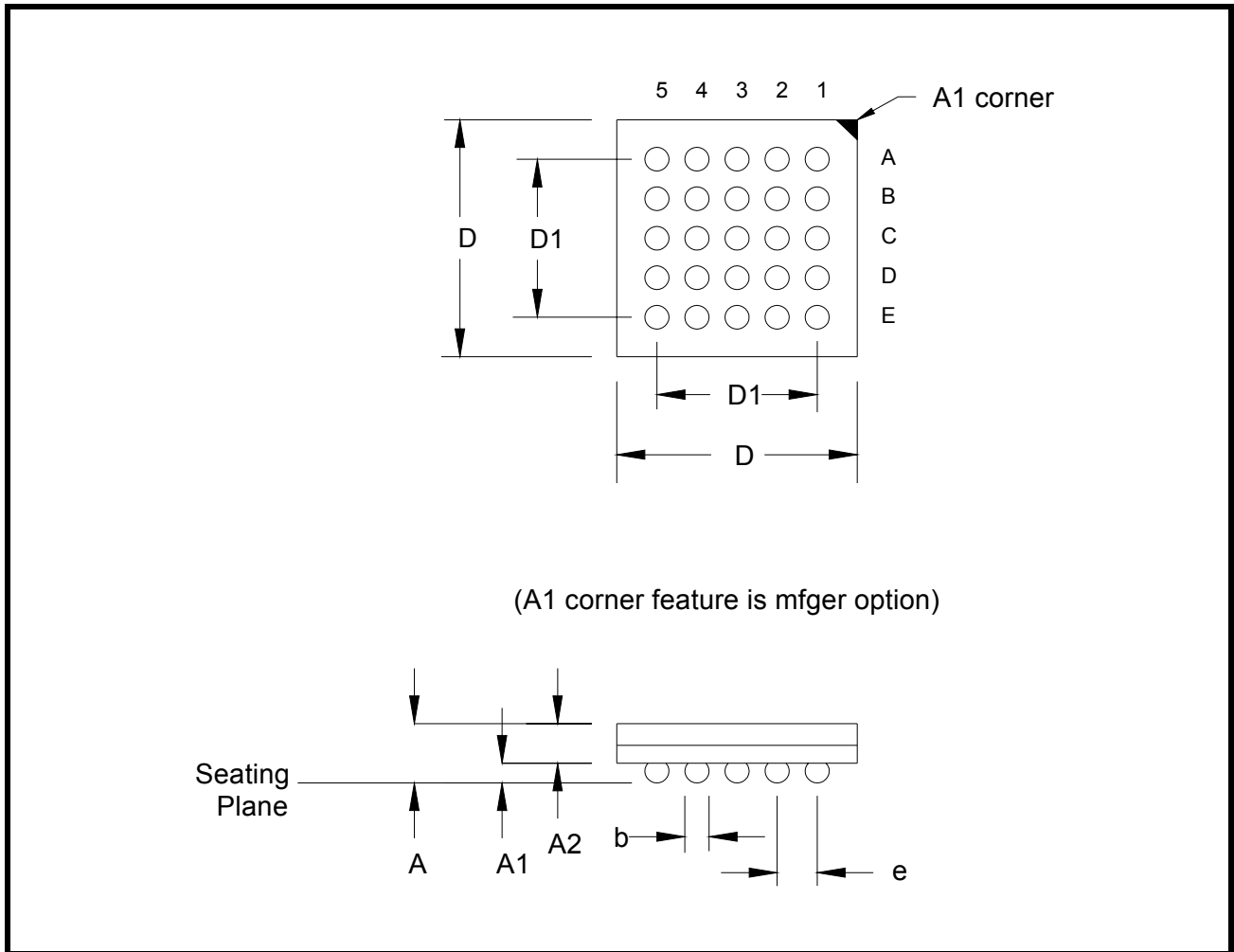


Note: The control dimension is in millimeter.

| SYMBOL | INCHES     |       | MILLIMETERS |      |
|--------|------------|-------|-------------|------|
|        | MIN        | MAX   | MIN         | MAX  |
| A      | 0.031      | 0.039 | 0.80        | 1.00 |
| A1     | 0.000      | 0.002 | 0.00        | 0.05 |
| A3     | 0.006      | 0.010 | 0.15        | 0.25 |
| D      | 0.193      | 0.201 | 4.90        | 5.10 |
| D2     | 0.138      | 0.150 | 3.50        | 3.80 |
| b      | 0.007      | 0.012 | 0.18        | 0.30 |
| e      | 0.0197 BSC |       | 0.50 BSC    |      |
| L      | 0.012      | 0.020 | 0.35        | 0.45 |
| k      | 0.008      | -     | 0.20        | -    |



**PACKAGE DIMENSIONS (25 PIN BGA - 3 X 3 X 0.8 mm)**



*Note: The control dimension is the millimeter column*

| SYMBOL | INCHES    |       | MILLIMETERS |      |
|--------|-----------|-------|-------------|------|
|        | MIN       | MAX   | MIN         | MAX  |
| A      | 0.028     | 0.031 | 0.70        | 0.80 |
| A1     | 0.005     | 0.007 | 0.13        | 0.19 |
| A2     | 0.022     | 0.024 | 0.57        | 0.61 |
| D      | 0.114     | 0.122 | 2.90        | 3.10 |
| D1     | 0.079 BSC |       | 2.00 BSC    |      |
| b      | 0.008     | 0.012 | 0.20        | 0.30 |
| e      | 0.020 BSC |       | 0.50 BSC    |      |

**REVISION HISTORY**

| DATE           | REVISION  | DESCRIPTION               |
|----------------|-----------|---------------------------|
| September 2008 | Rev 1.0.0 | Final Datasheet.          |
| December 2009  | Rev 10.01 | Corrected "INT pin type". |

**NOTICE**

EXAR Corporation reserves the right to make changes to the products contained in this publication in order to improve design, performance or reliability. EXAR Corporation assumes no responsibility for the use of any circuits described herein, conveys no license under any patent or other right, and makes no representation that the circuits are free of patent infringement. Charts and schedules contained here in are only for illustration purposes and may vary depending upon a user's specific application. While the information in this publication has been carefully checked; no responsibility, however, is assumed for inaccuracies.

EXAR Corporation does not recommend the use of any of its products in life support applications where the failure or malfunction of the product can reasonably be expected to cause failure of the life support system or to significantly affect its safety or effectiveness. Products are not authorized for use in such applications unless EXAR Corporation receives, in writing, assurances to its satisfaction that: (a) the risk of injury or damage has been minimized; (b) the user assumes all such risks; (c) potential liability of EXAR Corporation is adequately protected under the circumstances.

Copyright 2009 EXAR Corporation

Datasheet December 2009.

Send your UART technical inquiry with technical details to hotline: [uarttechsupport@exar.com](mailto:uarttechsupport@exar.com).

Reproduction, in part or whole, without the prior written consent of EXAR Corporation is prohibited.