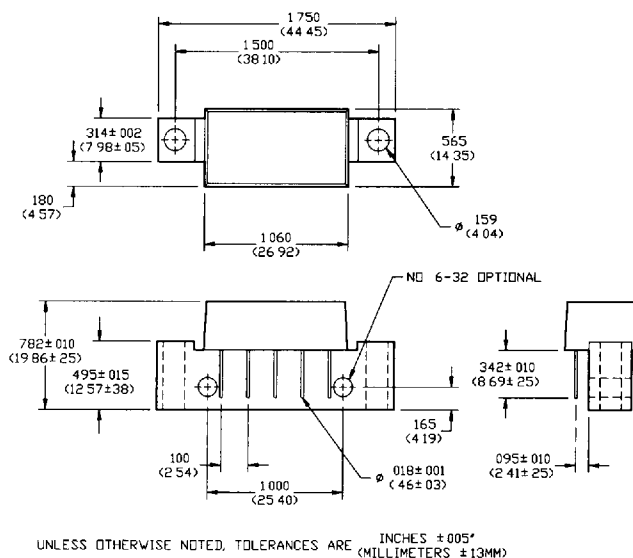


Features

- Broadband Operation 50 to 450 MHz
- Push-Pull Cascode Configuration
- Thick Film Substrate Circuit
- Gold Metallized Bipolar Transistors
- 50 Ohms Input and Output Matched

Outline Drawing



Absolute Maximum Ratings at 25°C

Parameter	Symbol	Rating	Units
Supply Voltage	V_{CC}	28	V
Input Power	P_{IN}	0.01	W
Output Power	P_{OUT}	0.75	W
Operating Case Temperature	T_C	-30 to +100	°C
Storage Temperature	T_{STG}	-40 to +100	°C

Electrical Characteristics at 25°C

Parameter	Symbol	Min	Max	Units	Test Conditions
Output Power	P_{OUT}	0.5	-	W	$V_{CC}=24$ V, $P_{IN}=8$ mW, $I_C=240$ mA, F=50-450 MHz
Power Gain	G_p	18	-	dB	$V_{CC}=24$ V, $P_{OUT}=0.5$ W, $I_C=240$ mA, F=50-450 MHz
Input/Output VSWR	VSWR	-	2:1	-	$V_{CC}=24$ V, $P_{OUT}=0.5$ W, $I_C=240$ mA, F=50-450 MHz
Third Order Intercept Point	ITO	40	-	dBm	$V_{CC}=24$ V, $I_C=240$ mA, F=50-450 MHz
Gain Flatness	G_F	-	+/-0.25	dB	$V_{CC}=24$ V, $P_{OUT}=0.5$ W, $I_C=240$ mA, F=50-450 MHz
Noise Figure	NF	-	7	dB	$V_{CC}=24$ V, $I_C=240$ mA, F=50-450 MHz
Gain Slope	G_s	-	0-1.25	dB	$V_{CC}=24$ V, $P_{OUT}=0.5$ W, $I_C=240$ mA, F=50-450 MHz

Schematic

