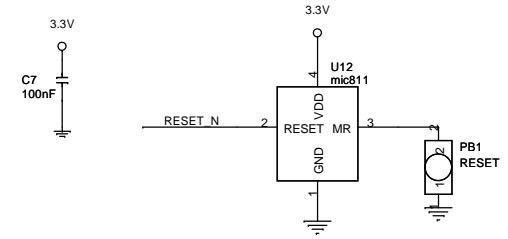
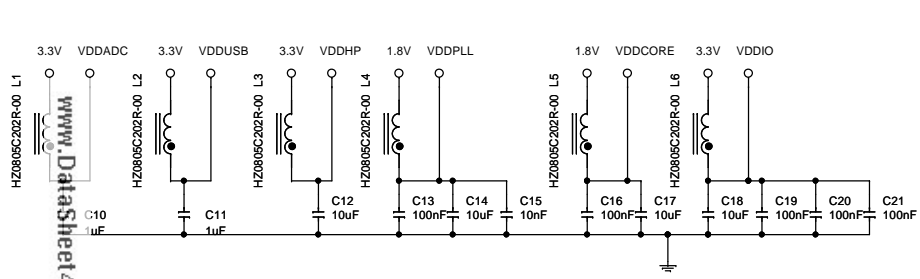


JZ4725



Don't mount R8, C8, C9 if U12 is mounted.
 If U12 is not mounted place a 0 ohm resistor between pin 2 and 3 of U12

Designer: Carlos Camargo

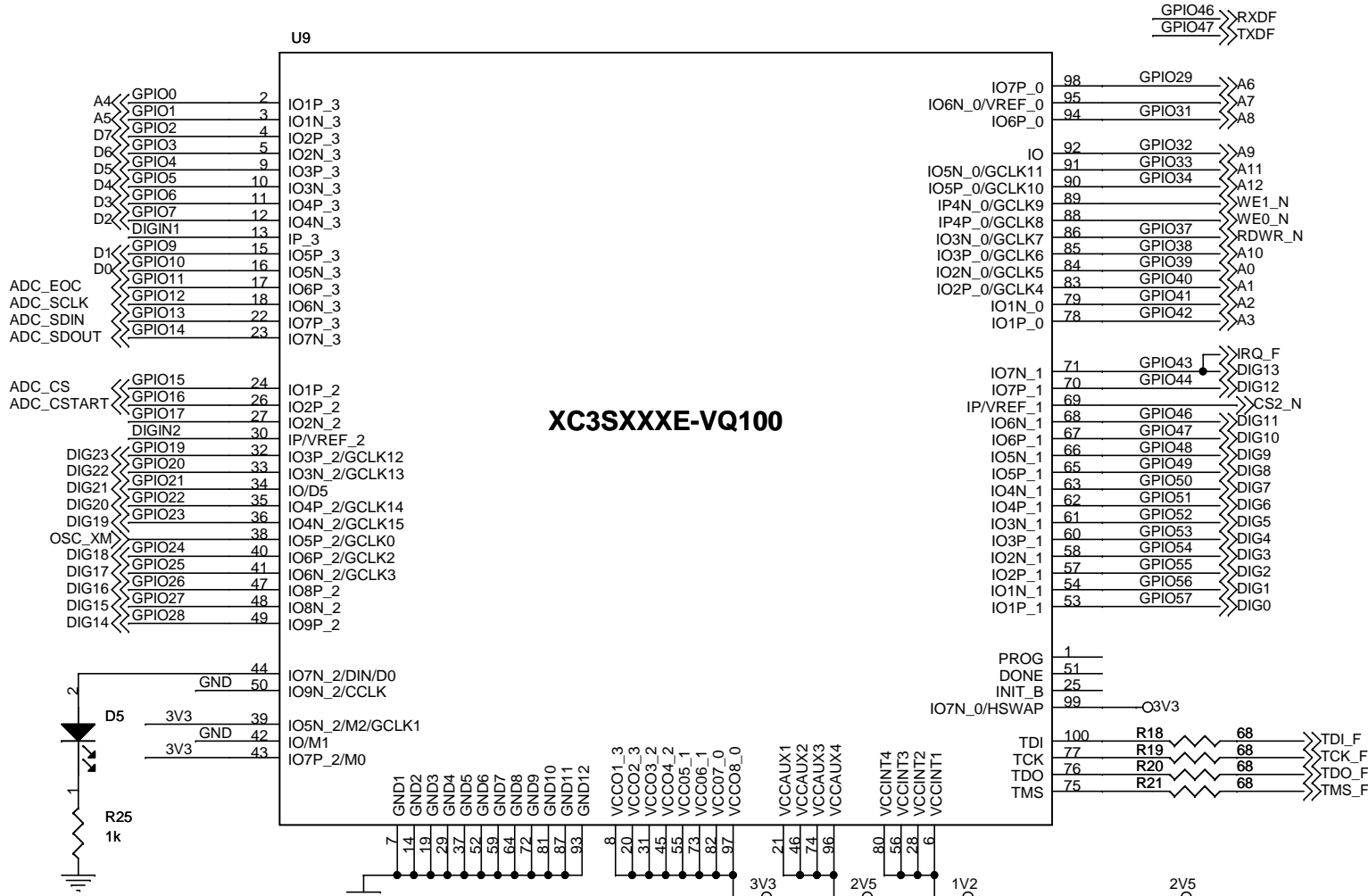
Title		SAKC BOARD: CPU		License type: CC-BY-SA	
Size	Document Number			Rev	1
Date:	Wednesday, July 28, 2010	Sheet	1	of	7

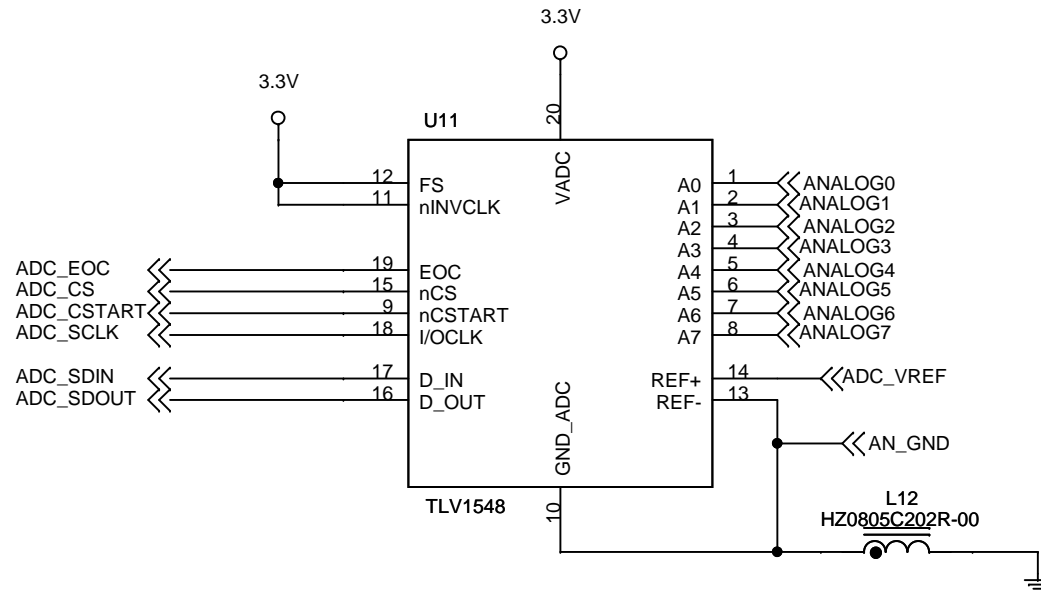
D

C

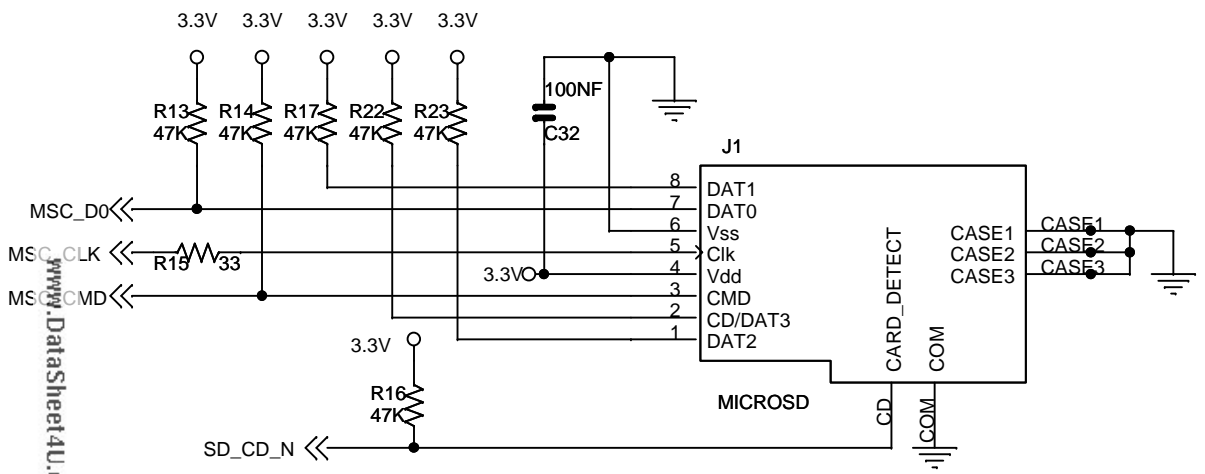
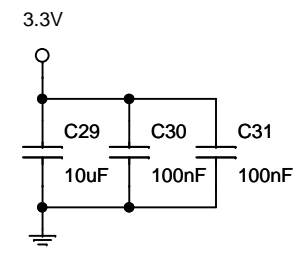
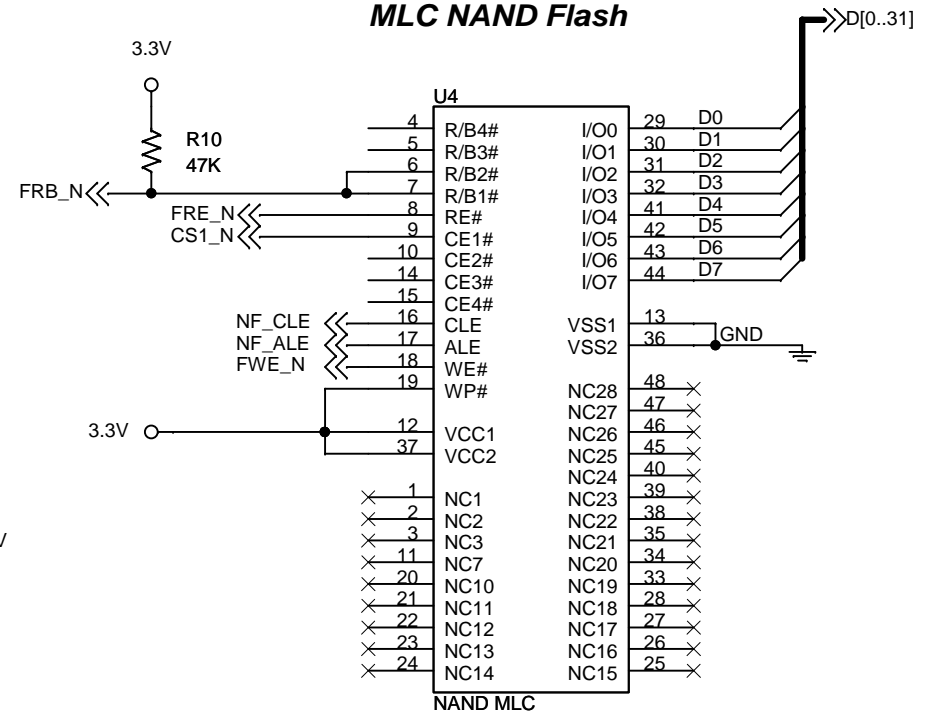
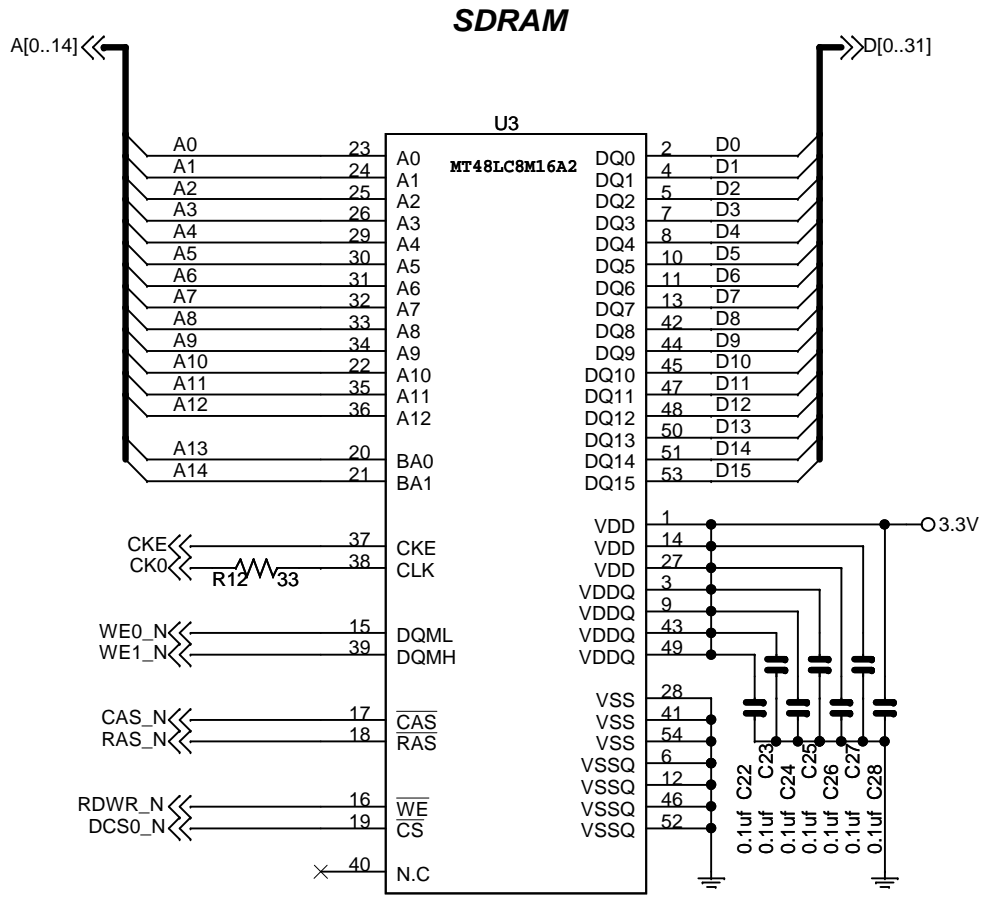
B

A





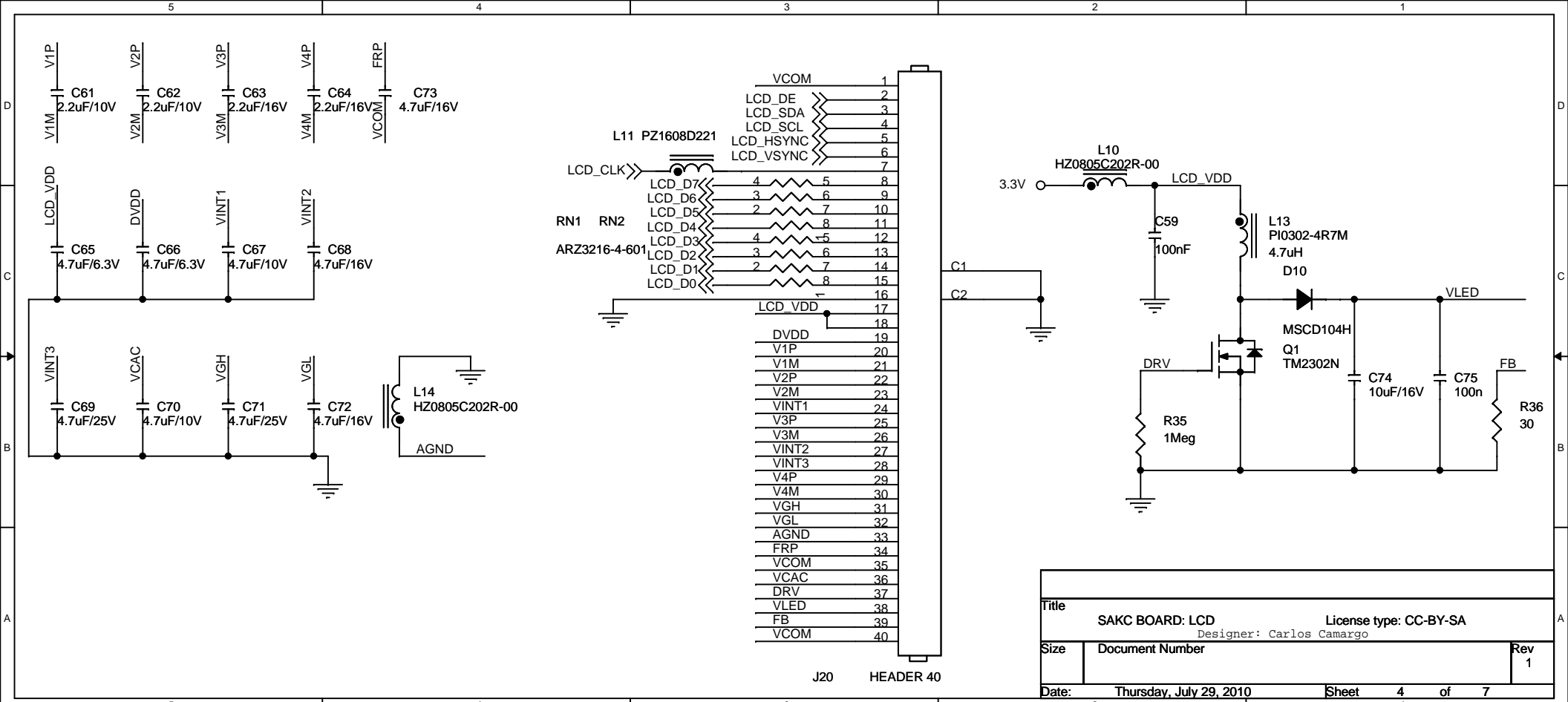
Designer: Carlos Camargo	
Title	SAKC BOARD: A/D Converter
License Type: CC-BY-SA	
Size	Document Number
Date: Friday, May 14, 2010	Rev 1
Sheet 1 of 1	



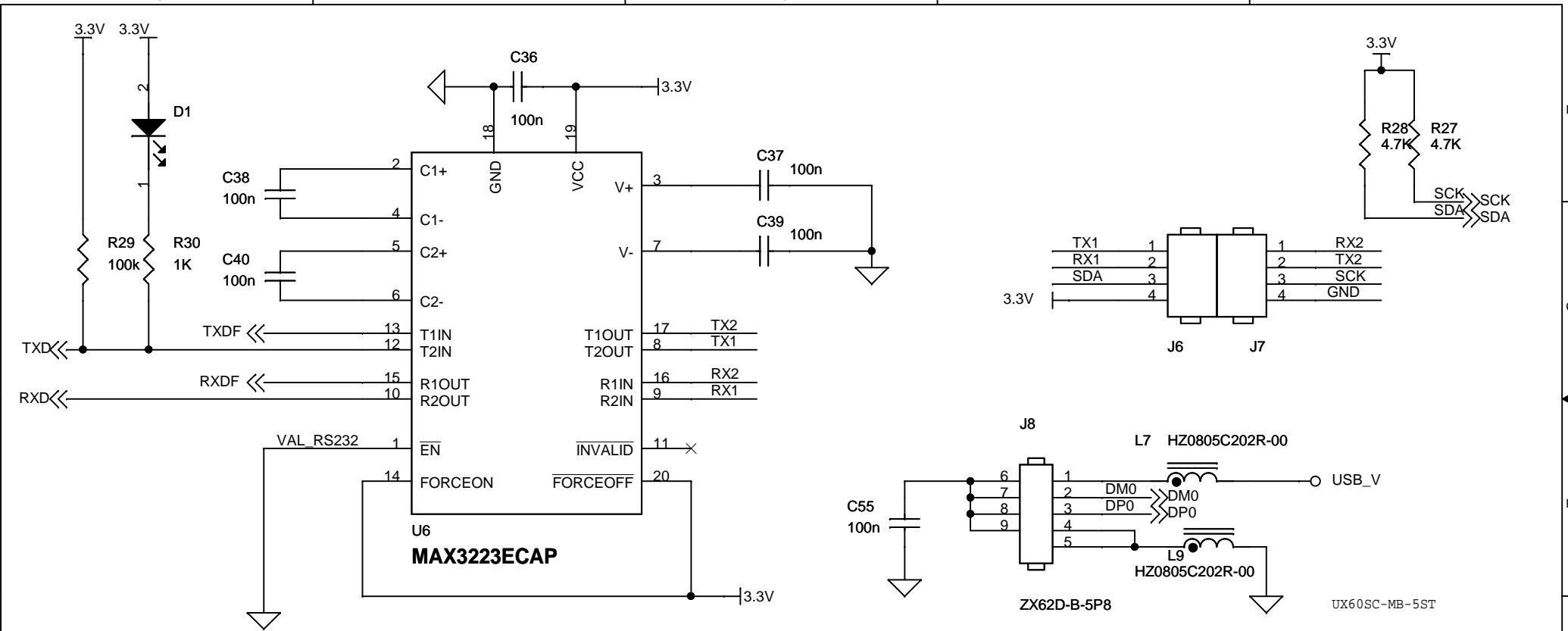
Title		Designer: Carlos Camargo	
SAKC BOARD: Memory		License type: CC-BY-SA	
Size A	Document Number	Date: Friday, May 14, 2010	Sheet 2 of 7
			Rev 1

www.DataSheet4U.com

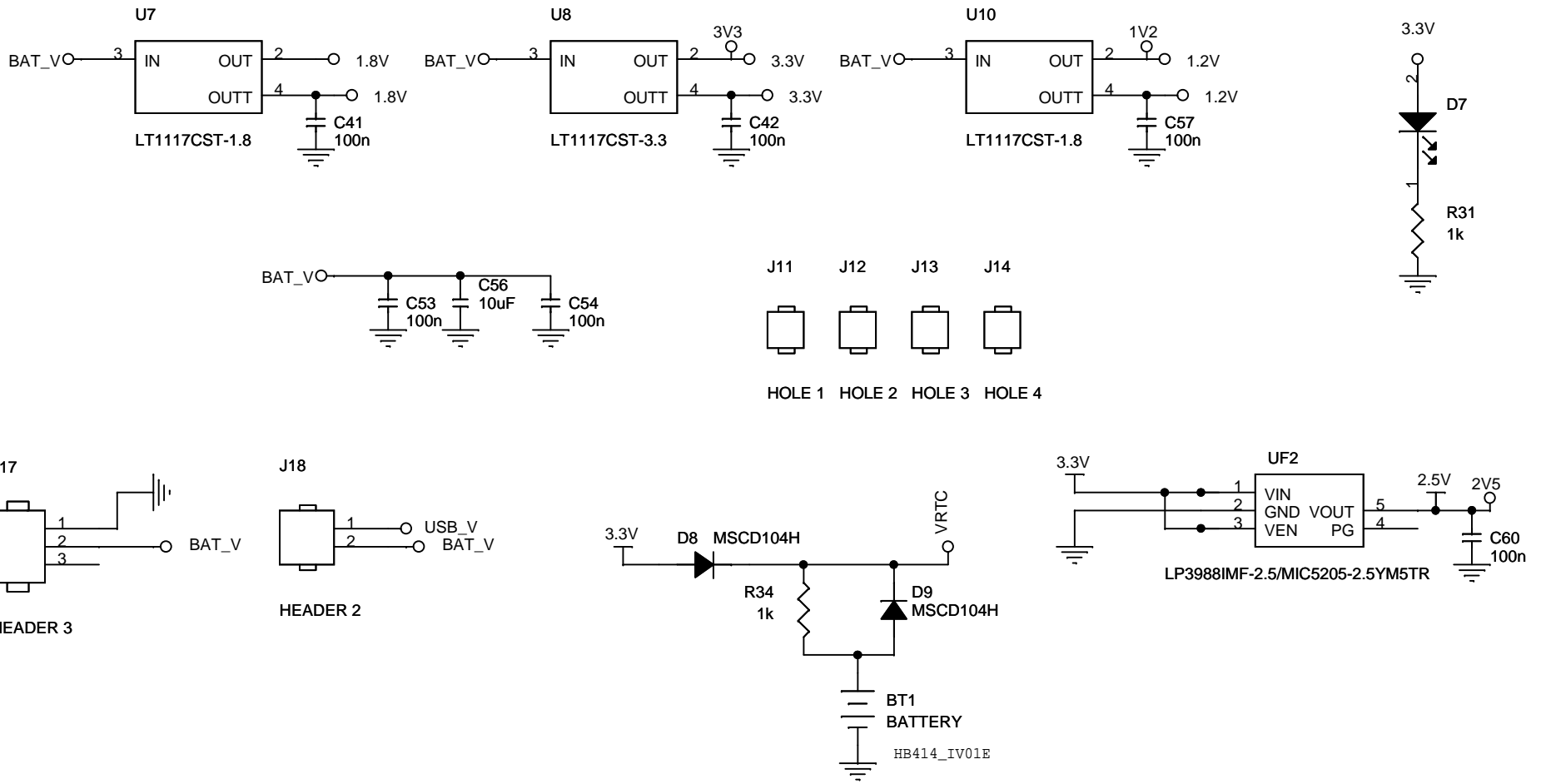
www.DataSheet4U.com



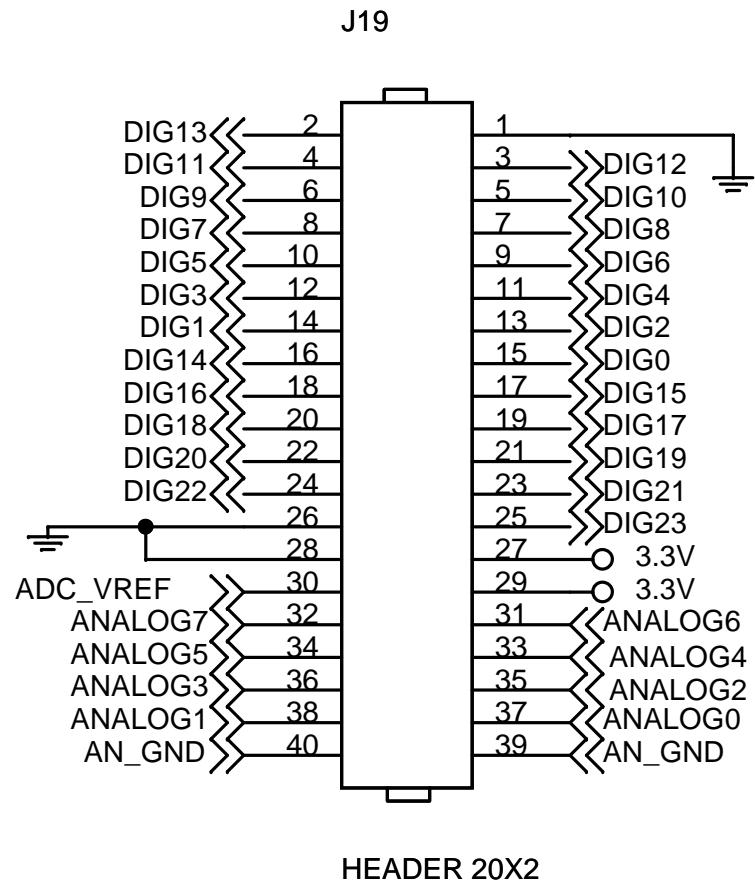
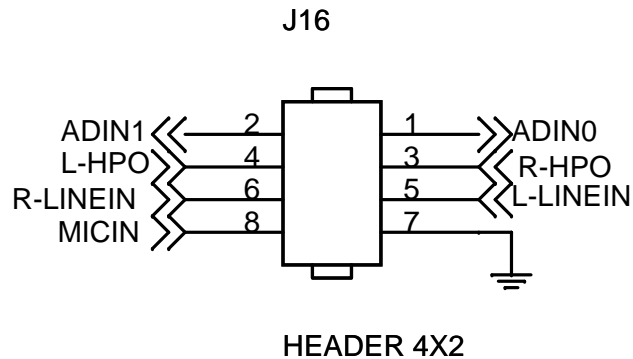
Title		SAKC BOARD: LCD		License type: CC-BY-SA	
Designer: Carlos Camargo		Size		Document Number	
Date: Thursday, July 29, 2010		Sheet		4 of 7	
Rev		1			



Designer: Carlos Camargo		
Title		License type: CC-BY-SA
SAKC BOARD: UART/USB/I2C		
Size	Document Number	Rev 1
Date:	Wednesday, July 28, 2010	Sheet 5 of 7



Designer: Carlos Camargo		
Title		License Type: CC-BY-SA
SAKC BOARD: Power Supply		
Size	Document Number	Rev 1
Date:	Thursday, July 29, 2010	Sheet 6 of 7



Designer: Carlos Camargo					
Title		SAKC BOARD: Connectors		License Type: CC-BY-SA	
Size	Document Number			Rev	1
Date:	Friday, May 14, 2010		Sheet	7	of 7