



Peak Reducing EMI Solution

Features

- Generates a 1x EMI optimized clock output.
- Input frequency: 6MHz - 10MHz
18MHz - 30MHz
- Output frequency: 6MHz - 10MHz
18MHz - 30MHz
- Two selectable down spread options.
- Selectable frequency range.
- Integrated loop filter components.
- Operates with a 3.3V supply.
- CMOS design.
- 8-pin SOIC packages.

Product Description

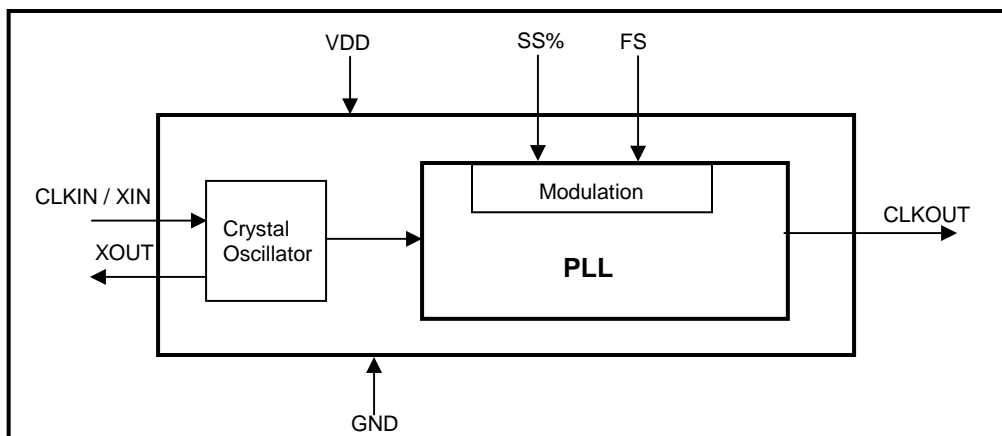
The ASM3P2180A is a versatile spread spectrum frequency modulator designed specifically for a wide range of clock frequencies. ASM3P2180A reduces electromagnetic interference (EMI) at the clock source, allowing system wide reduction of EMI of down stream clock and data dependent signals. ASM3P2180A allows

significant system cost savings by reducing the number of circuit board layers, and shielding that are traditionally required to pass EMI regulations. ASM3P2180A modulates the output of a single PLL in order to “spread” the bandwidth of a synthesized clock, thereby decreasing the peak amplitudes of its harmonics. This results in significantly lower system EMI compared to the typical narrow band signal produced by oscillators and most clock generators. Lowering EMI by increasing a signal’s bandwidth is called spread spectrum clock generation. ASM3P2180A uses the most efficient and optimized modulation profile approved by the FCC and is implemented by using a proprietary all-digital method.

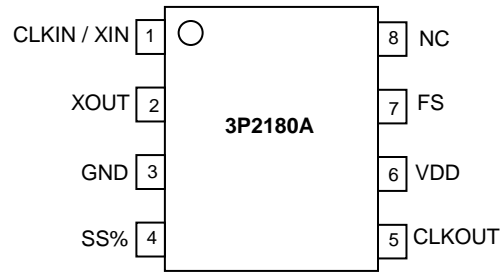
Applications

The ASM3P2180A is targeted towards notebook LCD displays, other displays using an LVDS interface, PC peripheral devices and embedded systems.

Block Diagram



Pin Diagram



Pin Description

Pin#	Pin Name	Type	Description
1	CLKIN / XIN	I	Crystal connection or external reference clock input.
2	XOUT	O	Connection for an external crystal. If using an external reference, this pin must be left unconnected.
3	GND	P	Ground to entire chip.
4	SS%	I	Spread Selection Input. Has an internal pull-up resistor.
5	CLKOUT	O	Modulated Clock Output.
6	VDD	P	Power supply for the entire chip.
7	FS	I	Frequency selection bit. This pin selects the frequency range of operation. (<i>Refer to the Frequency Range Selection Table</i>). Has an internal pull-up resistor.
8	NC	-	No connect.

Frequency Range Selection

FS	Frequency Range (MHz)
0	6-10
1	18-30

Spread Selection table

SS%	Frequency (MHz)		Deviation (%) (typ)
	FS=0	FS=1	
0	6	18	-2
	8	24	-1.5
	10	30	-1
1	6	18	-4
	8	24	-3
	10	30	-2

ASM3P2180A

Absolute Maximum Ratings

Symbol	Parameter	Rating	Unit
VDD, VIN	Voltage on any pin with respect to Ground	-0.5 to +4.6	V
T _{STG}	Storage temperature	-65 to +125	°C
T _s	Max. Soldering Temperature (10 sec)	260	°C
T _J	Junction Temperature	150	°C
T _{DV}	Static Discharge Voltage (As per JEDEC STD22- A114-B)	2	KV

Note: These are stress ratings only and are not implied for functional use. Exposure to absolute maximum ratings for prolonged periods of time may affect device reliability.

Operating Conditions

Parameter	Description	Min	Max	Unit
VDD	Supply Voltage	2.8	3.7	V
T _A	Operating Temperature (Ambient Temperature)	-40	+85	°C
C _L	Load Capacitance		15	pF
C _{IN}	Input Capacitance		7	pF

DC Electrical Characteristics

Symbol	Parameter	Min	Typ	Max	Unit
V _{IL}	Input low voltage	GND – 0.3		0.8	V
V _{IH}	Input high voltage	2.0		V _{DD} + 0.3	V
I _{IL}	Input low current (pull-up resistors on inputs SS%, FS)			-27	µA
I _{IH}	Input high current			18	µA
I _{XOL}	X _{OUT} output low current (@ 0.4V, V _{DD} = 3.3V)		3		mA
I _{XOH}	X _{OUT} output high current (@2.5V, V _{DD} = 3.3V)		4		mA
V _{OL}	Output low voltage (V _{DD} = 3.3V, I _{OL} = 4mA)			0.4	V
V _{OH}	Output high voltage (V _{DD} = 3.3V, I _{OH} = 4mA)	2.5			V
I _{CC}	Dynamic supply current normal mode (3.3V and 10pF loading)	10	15	25	mA
I _{DD} *	Static supply current standby mode			7	mA
V _{DD}	Operating voltage	2.8	3.3	3.7	V
t _{ON}	Power up time (first locked clock cycle after power up)		0.18		mS
Z _{OUT}	Clock output impedance		50		Ω

*CLKIN pin pulled to GND

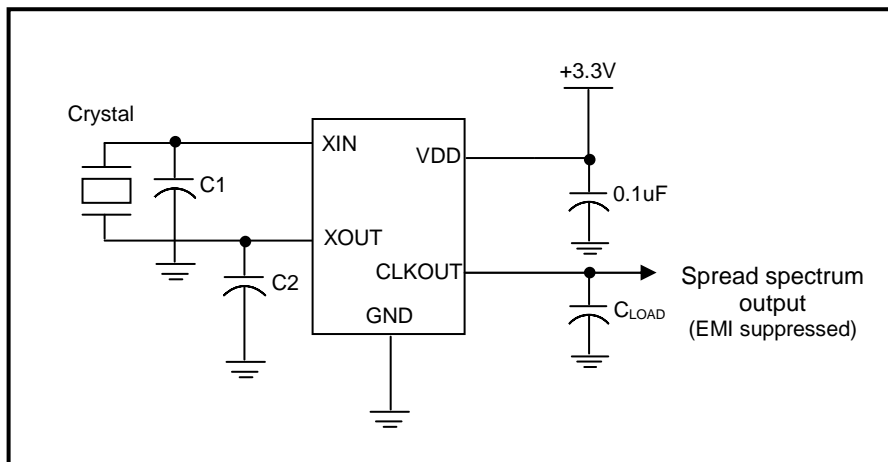
ASM3P2180A

AC Electrical Characteristics

Symbol	Parameter	Min	Typ	Max	Unit	
CLKIN	Input frequency	FS=0	6		10	MHz
		FS=1	18		30	
CLKOUT	Output frequency	FS=0	6		10	MHz
		FS=1	18		30	
t_{LH}^*	Output rise time (measured at 0.8V to 2.0V)	1.2	1.3	1.4	nS	
t_{HL}^*	Output fall time (measured at 2.0V to 0.8V)	0.8	0.9	1.0	nS	
t_{JC}	Jitter (cycle to cycle)		± 325		pS	
t_D	Output duty cycle	45	50	55	%	

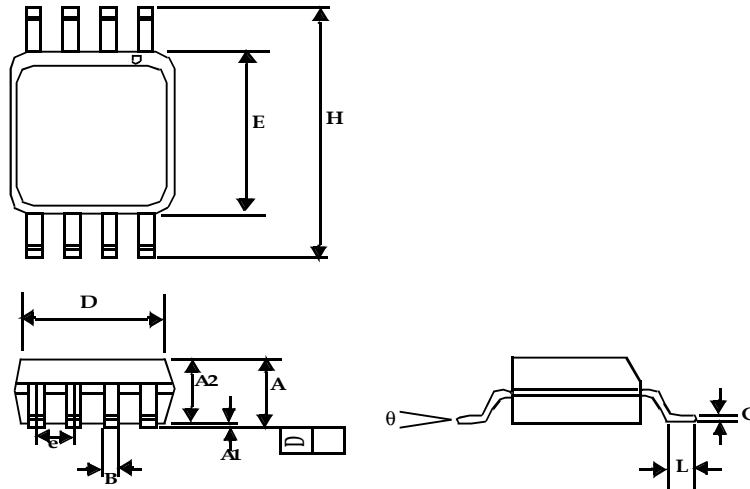
* t_{LH} and t_{HL} are measured into a capacitive load of 15pF

Typical Test Circuit



Package Information

8-Pin SOIC Package



Symbol	Dimensions			
	Inches		Millimeters	
	Min	Max	Min	Max
A1	0.004	0.010	0.10	0.25
A	0.053	0.069	1.35	1.75
A2	0.049	0.059	1.25	1.50
B	0.012	0.020	0.31	0.51
C	0.007	0.010	0.18	0.25
D	0.193 BSC		4.90 BSC	
E	0.154 BSC		3.91 BSC	
e	0.050 BSC		1.27 BSC	
H	0.236 BSC		6.00 BSC	
L	0.016	0.050	0.41	1.27
θ	0°	8°	0°	8°

ASM3P2180A


Ordering Codes

Part Number	Marking	Package Type	Temperature
ASM3P2180AF-08ST	ACT	8-pin SOIC, tube, Pb Free	0°C to +70°C
ASM3P2180AF-08SR	ACT	8-pin SOIC, tape and reel, Pb Free	0°C to +70°C

A "microdot" placed at the end of last row of marking or just below the last row toward the center of package indicates Pb-free.

Licensed under US patent #5,488,627, #6,646,463 and #5,631,920.

Note: This product utilizes US Patent # 6,646,463 Impedance Emulator Patent issued to PulseCore Semiconductor, dated 11-11-2003

ON Semiconductor and  are registered trademarks of Semiconductor Components Industries, LLC (SCILLC). SCILLC reserves the right to make changes without further notice to any products herein. SCILLC makes no warranty, representation or guarantee regarding the suitability of its products for any particular purpose, nor does SCILLC assume any liability arising out of the application or use of any product or circuit, and specifically disclaims any and all liability, including without limitation special, consequential or incidental damages. "Typical" parameters which may be provided in SCILLC data sheets and/or specifications can and do vary in different applications and actual performance may vary over time. All operating parameters, including "Typicals" must be validated for each customer application by customer's technical experts. SCILLC does not convey any license under its patent rights nor the rights of others. SCILLC products are not designed, intended, or authorized for use as components in systems intended for surgical implant into the body, or other applications intended to support or sustain life, or for any other application in which the failure of the SCILLC product could create a situation where personal injury or death may occur. Should Buyer purchase or use SCILLC products for any such unintended or unauthorized application, Buyer shall indemnify and hold SCILLC and its officers, employees, subsidiaries, affiliates, and distributors harmless against all claims, costs, damages, and expenses, and reasonable attorney fees arising out of, directly or indirectly, any claim of personal injury or death associated with such unintended or unauthorized use, even if such claim alleges that SCILLC was negligent regarding the design or manufacture of the part. SCILLC is an Equal Opportunity/Affirmative Action Employer. U.S. Patent Pending; Timing-Safe and Active Bead are trademarks of PulseCore Semiconductor, a wholly owned subsidiary of ON Semiconductor. This literature is subject to all applicable copyright laws and is not for resale in any manner.

PUBLICATION ORDERING INFORMATION

LITERATURE FULFILLMENT:

Literature Distribution Center for ON Semiconductor
P.O. Box 5163, Denver, Colorado 80217 USA
Phone: 303-675-2175 or 800-344-3860 Toll Free
USA/Canada
Fax: 303-675-2176 or 800-344-3867 Toll Free
USA/Canada
Email: orderlit@onsemi.com

N. American Technical Support: 800-282-9855
Toll Free USA/Canada
Europe, Middle East and Africa Technical Support:
Phone: 421 33 790 2910
Japan Customer Focus Center
Phone: 81-3-5773-3850

ON Semiconductor Website:
www.onsemi.com

Order Literature: <http://www.onsemi.com/orderlit>

For additional information, please contact your local Sales Representative