

DVS-355Z

Rugged Vehicle/Embedded Platform with Intel Core Duo Mobile Processor

Features

- ◆ Fanless design within sealed construction
- ◆ Support Intel® Core™ Duo Mobile Processor
- ◆ Rugged enclosure and easy mounting design for diversified integration needs
- ◆ Anti-vibration, anti-shock design to ensure maximum reliability
- ◆ Wide power source (9-30V DC)
- ◆ CardBus interface for optional mobile communication module
- ◆ All in one main board design



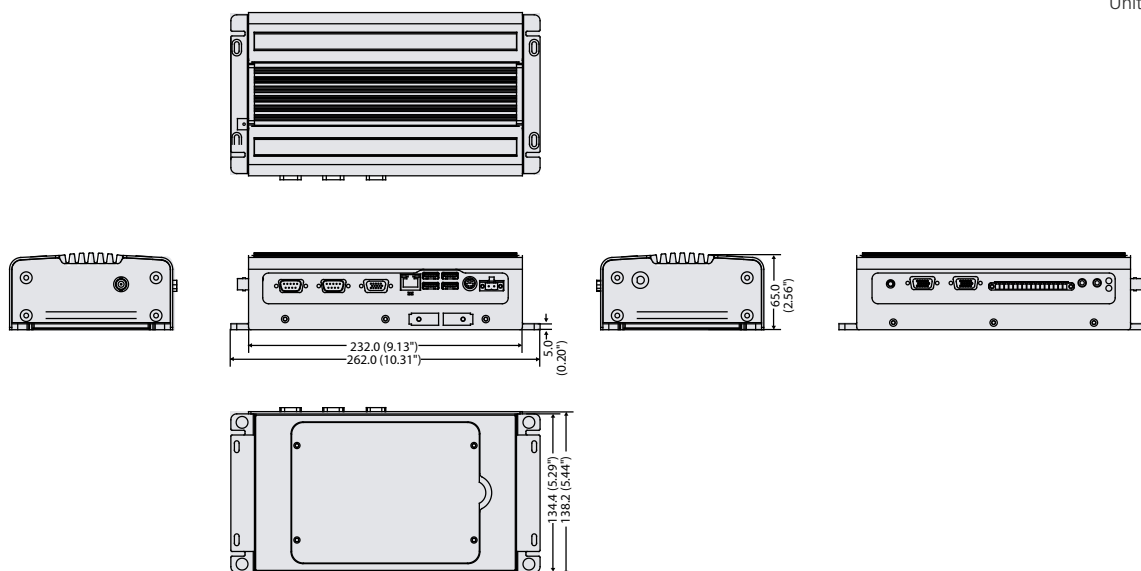
Introduction

The DVS-355Z is an industrial grade Duo Core embedded computer. It is designed for installation in mission-critical environments with its fanless, anti-vibration, anti-shock design. A wide power range of 9 to 30V DC and optional vehicle power management module can protect the system from power surges while used on vehicles. The cardbus, Mini PCI and IDE CF make the DVS-355Z the ideal platform to integrate with communication modules like WLAN, GPS, GPRS or CDMA. These features combined with USB, COM, TV-out, DVI, make the DVS-355Z the best solution for in-vehicle applications, like fleet management, GIS, device control, digital signage and digital vehicle recorders.

Specifications

Processor & System	CPU	Intel Core Duo U2500 Mobile Processor
	Chipset	Intel 945GM / ICH7M-DH
	L2 Cache	2M
	BIOS	AWARD 4M bit BIOS
Memory	Front Side Bus	667 MHz
	Technology	Dual channel DDR2 533/667
	Max. Capacity	2 GB
Graphic	Socket	2 x 200-pin SODIMM
	Chipset	Intel Graphics Media Accelerator 950
	Memory Size	Shared system memory up to 224 MB
Ethernet	Resolution	Up to 2048 x 1536 at 75 Hz
	Interface	Gigabit LAN Controller
	Controller	Marvell® 88E8053
	Connector	2 x RJ-45
Storage	WLAN (Optional)	802.11b/g (upon request)
	IDE-0	2.5" HDD Tray
	IDE-1	Compact Flash socket for type I/II
I/O Interface	DVI	1 (DVI - I connector , digital signal output only)
	VGA	1 (D-sub 15-pin)
	LAN	Dual Gigabit LAN (RJ-45)
	USB	4 (USB 2.0 compliant, 480Mbps)
	Audio	AC97 - Line-out, Mic-in, Line-in
	Serial	COM1 - RS232, COM2 - RS-232
	PS/2	1 (For keyboard and mouse with Y cable)
	CarBus	1 x slot
	Mini-PCI	1 (For Integrated WLAN module)
	TV out	S-video and Composite video
Power Requirement	Management	APM 1.2, ACPI supported
	Power Consumption	Average 15 W, Maximum 49 W
	Input Voltage	9 ~ 30 V _{DC} , Typical 9 V _{DC} @ 5.4 A, 19 V _{DC} @ 2.9 A
	Others	Support Boot on Power failure and schedule boot up function
Watchdog Timer	Output	Interrupt, system reset
	Interval	Programmable 1 ~ 255 sec.
Physical Characteristics	Mounting	Din-Rail mounting and desk / wall mounting
	Dimensions (W x H x D)	232 x 65 x 138.4 (9.1" x 2.5" x 5.4")
	Weight	2.3 kg
Environment	Temperature	-10 ~ 45° C, Operating
	Temperature (with industrial grade components)	-15 ~ 55° C, Operating
	Relative Humidity	95% @ 40° C (non-condensing), Operating
	Vibration Resistance	1 Grms, IEC 60068-2-64, Random, 5-500 Hz, 1 Oct/min, 1hr/axis
	Shock Resistance	40G, IEC 60068-2-27, half sine, 11 ms , Operating
Software Development Kit	Operation System	Supports Microsoft Windows XP with SP2, XP embedded and Win2000 with SP4.
	Demo Program	Complete demo program with VC++ sample code for reference

Dimensions



Ordering Information

Part Number	HDD Support	CPU	Memory	L2 Cache	WLAN	Video Input
DVS-355-MU25E	2.5" HDD Tray	Intel Duo Core U2500	N/A	2MB	N/A	6 channels
DVS-355-ZU25E	2.5" HDD Tray	Intel Duo Core U2500	N/A	2MB	802.11 b/g	N/A
DVS-355-SU25E	2.5" HDD Tray	Intel Duo Core U2500	N/A	2MB	N/A	N/A

Optional Items

2.5" Hard Drive Options

Part Number	RPM	Type	Capacity
96ND40G-I-FJ4K1	4200	IDE Parallel-ATA	40 GB
96ND60G-I-FJ4K1	4200	IDE Parallel-ATA	60 GB
96ND80G-I-FJ4K1	4200	IDE Parallel-ATA	80 GB

Power Adapter Options

Part Number	Description
1757000222	AC-to-DC Adapter 2-pin DC 19 V/3.42 A/65 W, with Phoenix Power Plug
9689000450	AC-to-DC Adapter 3-pin DC 19V/3.16A/ 60W

Power Cord Options

Part Number	Description
1700001947	2-pin 180 cm, USA
1700001948	2-pin 180 cm, Europe
1700001949	2-pin 180 cm, UK
9689071001	3-pin 180 cm, USA
9689071002	3-pin 180 cm, Europe

Industrial-grade CompactFlash Card Options

Part Number	Capacity	Operation Temperature
96FMCFI-512M-ET-AP	512 MB	-40° C (-40° F) ~ 85° C (185° F)
96FMCFI-1G-ET-AP	1 GB	-40° C (-40° F) ~ 85° C (185° F)

Packing list

Part Number	Description	Qty
2013000000	2 year warranty card	X 1
2062S35000	Driver CD	X 1
1700001394	DC Jack with 2-pin pluggable terminal block	X 1
1700060202	Y cable of KB and PS/2 Mouse	X 1