

Wideband Load Insensitive Mixer

SM5T17

V2

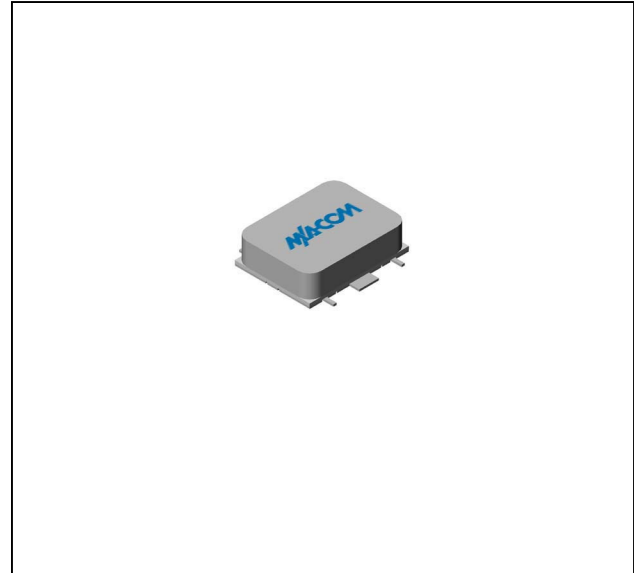
Features

- LO 50 TO 5000 MHz
- RF 50 TO 5000 MHz
- IF 50 TO 3000 MHz
- LO DRIVE +17 dBm (NOMINAL)
- INSENSITIVE TO SYSTEM LOAD MISMATCH
- HIGH INTERCEPT: +24 dBm (TYP.)

Description

The SM5T17 is a termination insensitive mixer, designed for use in military, wireless and test equipment applications. The design utilizes Schottky bridge quad diodes, broadband ferrite baluns and internal loads to provide excellent performance without degradation due to external VSWR mismatches. Environmental screening available to MIL-STD-883, MIL-STD-202 or MIL-DTL-28837, consult factory.

Product Image



Ordering Information

Part Number	Package
SM5T17	Surface Mount

Electrical Specifications: $Z_0 = 50\Omega$ $L_o = +17$ dBm (Downconverter application only)

Parameter	Test Conditions	Units	Typical	Guaranteed	
				+25°C	-40° to +85°C
SSB Conversion Loss (max) & SSB Noise Figure (max)	fR = 0.05 to 1.5 GHz, fL = 0.05 to 1.5 GHz, fl = 0.05 to 1.5 GHz	dB	6.9	8.3	9.0
	fR = 1.5 to 3.0 GHz, fL = 1.5 to 3.0 GHz, fl = 0.05 to 3.0 GHz	dB	7.5	8.8	9.5
	fR = 3.0 to 5.0 GHz, fL = 3.0 to 5.0 GHz, fl = 0.05 to 3.0 GHz	dB	8.5	10.5	11.2
Isolation, L to R (min)	fL = 0.05 to 1.0 GHz	dB	35	25	23
	fL = 1.0 to 5.0 GHz	dB	33	23	21
Isolation, L to I (min)	fL = 0.05 to 1.0 GHz	dB	40	32	30
	fL = 1.0 to 5.0 GHz	dB	35	25	23
Isolation, R to I (min)	fR = 0.05 to 5.0 GHz	dB	32		
1 dB Conversion Comp.	fL = +17 dBm	dBm	+13		
Input IP3	fL = 0.05 to 5.0 GHz, fR = 0.05 to 5.0 GHz, fl = 0.05 to 3.0 GHz	dBm	+24		
VSWR	R-Port fR = 0.05 to 5.0 GHz,		1.6:1		
	L-Port fL = 0.05 to 5.0 GHz,		1.5:1		
	I-Port fl = 0.05 to 3.0 GHz		1.4:1		

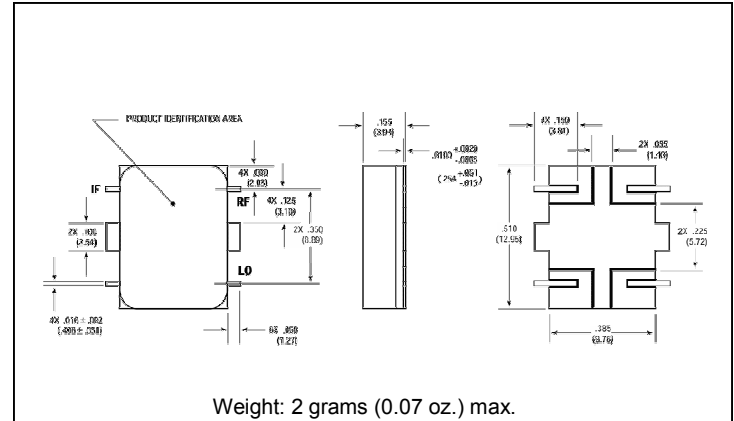
Wideband Load Insensitive Mixer

SM5T17
V2

Absolute Maximum Ratings

Parameter	Absolute Maximum
Operating Temperature	-54°C to +100°C
Storage Temperature	-65°C to +100°C
Peak Input Power	+27 dBm max @ +25°C +23 dBm max @ +100°C
Peak Input Current	50 mA DC

Outline Drawing: Surface Mount *



* Dimensions are inches (millimeters) ±0.015 (0.38) unless otherwise specified.