

**PLEASE CHECK WWW.MOLEX.COM FOR LATEST PART INFORMATION**

**Part Number:** [0386608803](#)  
**Status:** **Active**  
**Description:** 12.70mm (.500") Pitch Beau™ PCB Tri-Barrier Terminal Strip, with Mounting Ends, 600V, 3 Circuits

**Documents:**

[3D Model](#)  
[Drawing \(PDF\)](#)

[RoHS Certificate of Compliance \(PDF\)](#)

**General**

Product Family	Terminal Blocks
Series	<a href="#">38660</a>
Application	Wire-to-Board
Component Type	One Piece
Product Name	Fixed Mount Barrier
Type	Barrier Strip

**Physical**

Circuits (Loaded)	3
Circuits (maximum)	3
Color - Resin	Black
Entry Angle	Horizontal
Lock to Mating Part	None
Material - Metal	Brass
Material - Plating Mating	Tin
Material - Plating Termination	Tin
Material - Resin	Polysulfone
Number of Rows	1
Orientation	Vertical
PC Tail Length (in)	0.160 In
PC Tail Length (mm)	4.06 mm
PCB Retention	Yes
Panel Mount	No
Pitch - Mating Interface (in)	0.500 In
Pitch - Mating Interface (mm)	12.70 mm
Pitch - Term. Interface (in)	0.500 In
Pitch - Term. Interface (mm)	12.70 mm
Polarized to Mating Part	N/A
Shrouded	Tri-Barrier
Stackable	No
Surface Mount Compatible (SMC)	No
Temperature Range - Operating	-40°C to +110°C
Wire Size AWG	10, 12, 14, 16, 18, 8
Wire Size mm²	0.75 - 6.0

**Electrical**

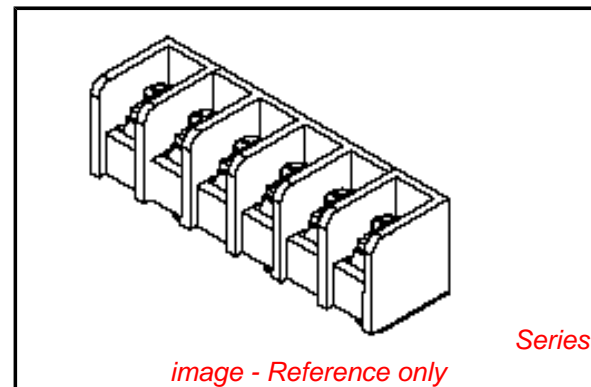
Current - Maximum per Contact	45A
Voltage - Maximum	600V

**Material Info**

Old Part Number	66503-RC
-----------------	----------

**Reference - Drawing Numbers**

Sales Drawing	SD-38660-003
---------------	--------------



**EU RoHS**

**ELV and RoHS  
Compliant**  
**REACH SVHC  
Not Reviewed**  
**Halogen-Free  
Status  
Not Reviewed**

**China RoHS**



**Need more information on product  
environmental compliance?**

Email [productcompliance@molex.com](mailto:productcompliance@molex.com)  
 For a multiple part number RoHS Certificate of Compliance, [click here](#)

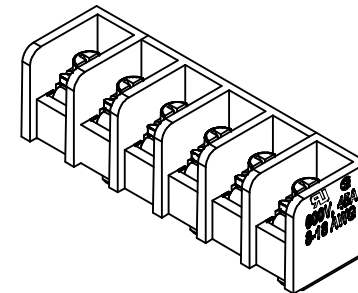
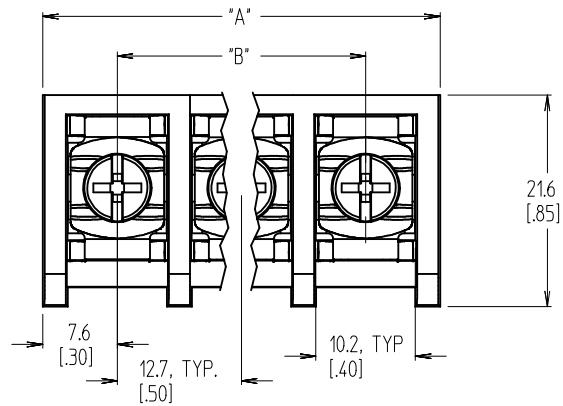
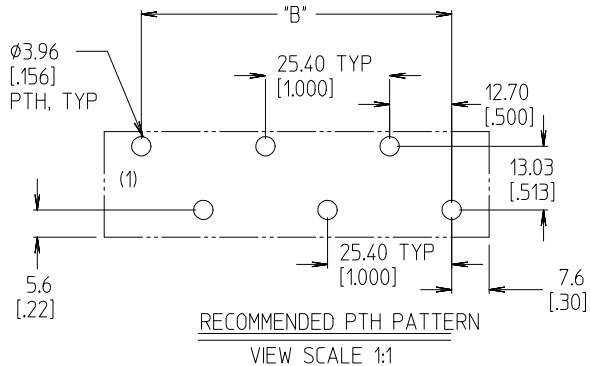
Please visit the [Contact Us](#) section for any non-product compliance questions.

**Search Parts in this Series**

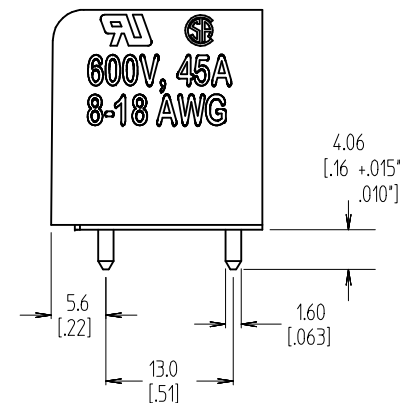
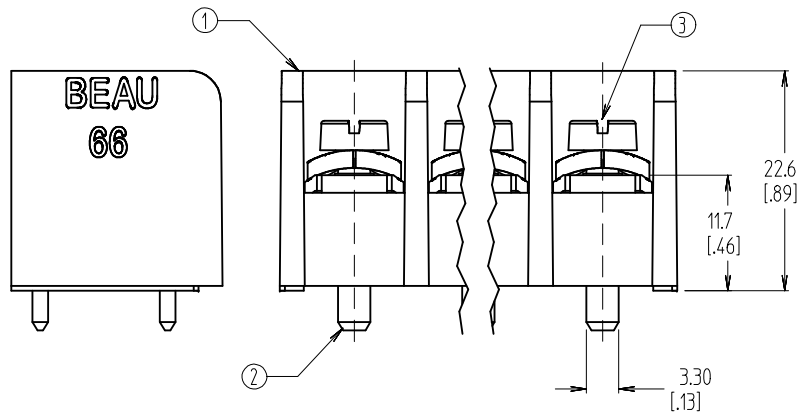
[38660Series](#)

This document was generated on 04/22/2010

**PLEASE CHECK [WWW.MOLEX.COM](http://WWW.MOLEX.COM) FOR LATEST PART INFORMATION**



MATERIAL NUMBER (STD PART)	NUMBER OF CIRCUITS "XX"	A	B
38660-8802	2	27.9 [1.10]	12.70 [0.500]
38660-8803	3	40.6 [1.60]	25.40 [1.000]
38660-8804	4	53.3 [2.10]	38.10 [1.500]
38660-8805	5	66.0 [2.60]	50.80 [2.000]
38660-8806	6	78.7 [3.10]	63.50 [2.500]
38660-8807	7	91.4 [3.60]	76.20 [3.000]
38660-8808	8	104.1 [4.10]	88.90 [3.500]
38660-8809	9	116.8 [4.60]	101.60 [4.000]
38660-8810	10	129.5 [5.10]	114.30 [4.500]
38660-8811	11	142.2 [5.60]	127.00 [5.000]
38660-8812	12	154.9 [6.10]	139.70 [5.500]
38660-8813	13	167.6 [6.60]	152.40 [6.000]
38660-8814	14	180.3 [7.10]	165.10 [6.500]
38660-8815	15	193.0 [7.60]	177.80 [7.000]



NOTES:

1. MATERIAL: SEE TABLE
2. FINISHES: SEE TABLE
3. "XX" - REFERS TO THE NUMBER OF CIRCUIT POSITIONS.
4. INCH DIMENSIONS ARE SHOWN IN BRACKETS [XXX].
5. ASSEMBLY IS ROHS COMPLIANT.

ITEM	QTY	DESCRIPTION	MATERIAL	FINISH
3	XX	SCREW	STEEL	ZN/YELLOW CHROMATE
2	XX	TERMINAL	RED BRASS	TIN OVER COPPER
1	1	INSULATOR	POLYESTER (PBT)	BLACK

INITIAL RELEASE EC NO: WNAZ009-0043 DRAWN BY: C. YORK 2008/09/22 CHKD: RDEROSS 2008/09/22 APPR: RDEROSS 2008/09/23	QUALITY SYMBOLS ▽=0 ▽=0	GENERAL TOLERANCES (UNLESS SPECIFIED)	DIMENSION STYLE MM/IN	SCALE 1:1	DESIGN UNITS INCH	THIRD ANGLE PROJECTION	
		4 PLACES ± --- ± --- 3 PLACES ± --- ± .005 2 PLACES ± 0.13 ± .01 1 PLACE ± 0.3 ± ---	DRAWN BY: C. YORK DATE: 2008/09/08	CHECKED BY: R. DEROSS DATE: 2008/09/08	TITLE: SR BTS, 12.70/500 PITCH PC, NO MTG ASSY, ROHS COMPLIANT		
		ANGULAR ± 2 °	APPROVED BY: R. DEROSS DATE: 2008/09/08	MOLEX INCORPORATED			
		DRAFT WHERE APPLICABLE MUST REMAIN WITHIN DIMENSIONS	MATERIAL NO. SEE CHART	DOCUMENT NO. SD-38660-003	SHEET NO. 1 OF 1		