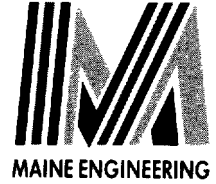
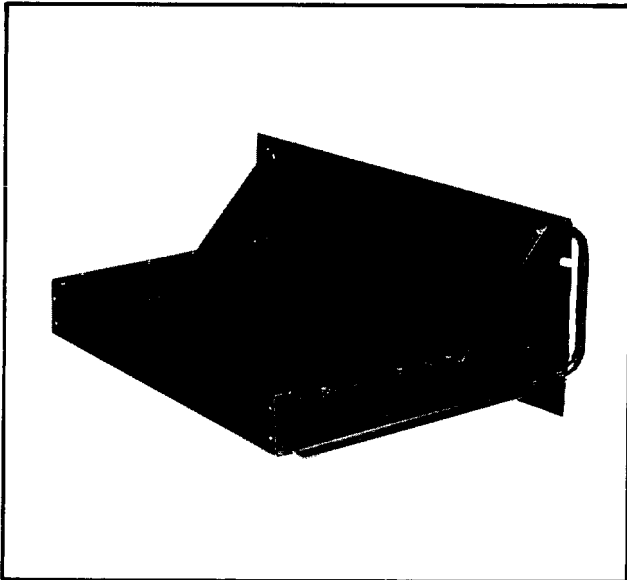


113-2170



Panels and Chassis



CHASSIS ASSEMBLY (Illustrated)

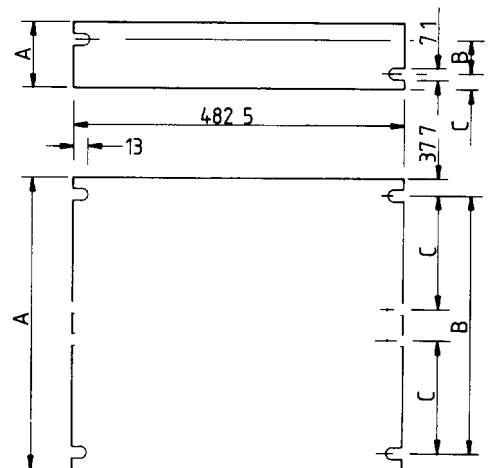
A simple, easy to assembly, 19" chassis available in 3 depths and designed to suit any Front Panel between 3 and 7 Unit Height

All chassis are available in Unfinished Aluminium or Plated Mild Steel.

Modifications, Engraving, Silkscreening or additional sizes are available on request.

Panels

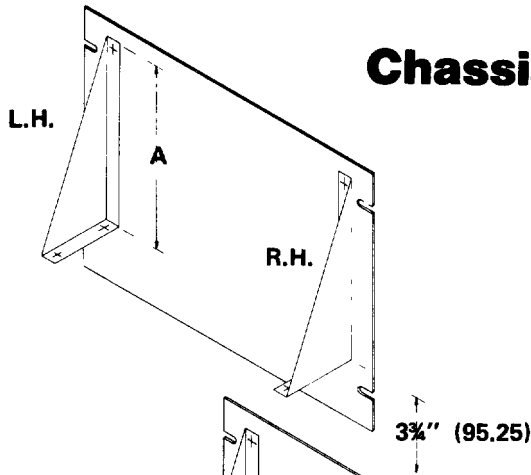
	A		B		C	
	ins	mm	ins.	mm	ins.	mm
	1 ²³ / ₃₂	43.66	1 ¹ / ₄	31.75	1 ⁵ / ₆₄	5.93
	3 ¹⁵ / ₃₂	88.1	1/2	12.7	1 ³¹ / ₆₄	37.7
	5 ⁷ / ₃₂	132.46	2 ¹ / ₄	57.15	—	—
	6 ³¹ / ₃₂	177.0	4	101.6	—	—
	8 ²³ / ₃₂	221.46	5 ¹ / ₄	146.05	—	—
	10 ¹⁵ / ₃₂	265.9	7 ¹ / ₂	190.5	—	—
	12 ⁷ / ₃₂	310.36	9 ¹ / ₄	234.95	3 ¹ / ₂	88.9
	13 ³¹ / ₃₂	354.81	11	279.4	3 ¹ / ₂	88.9
	5 ²³ / ₃₂	399.26	12 ¹ / ₄	323.85	4	101.6
	17 ¹⁵ / ₃₂	443.7	14	368.3	5 ¹ / ₄	133.38
	19 ⁷ / ₃₂	488.16	16 ¹ / ₄	412.75	5 ¹ / ₄	133.38
	20 ³¹ / ₃₂	532.61	18	457.2	5 ¹ / ₄	146.05



NOTE: When L.F.P.'s are required to fit Chassis, add 'D' to Order Code.


- MATERIAL** 3mm thick Half hard aluminium. (Mild Steel on request).
- VENTILATION** Types 1 to 4 are available pierced 30 x 3 mm Vent slots. Add 'V' to Standard Code
- FINISH** Clean: Add 'C' to Standard Code (P.V.C Protected).
Painted: (Gloss) Add 'P' to Standard Order Code and include colour.
Anodised. Add 'A' to Order Code.

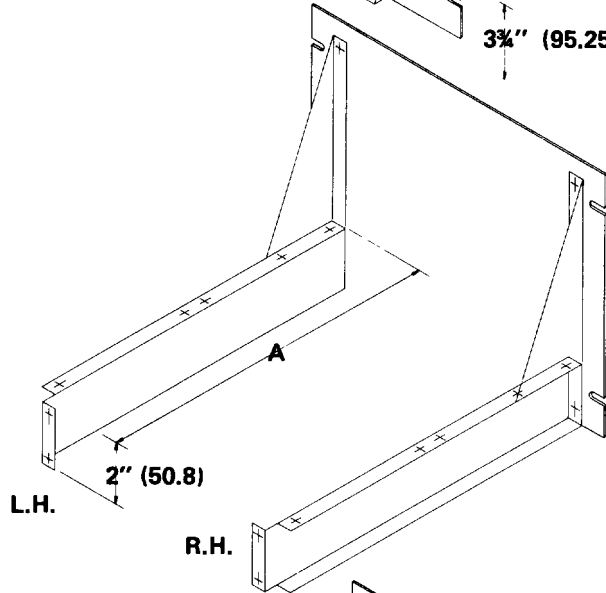
Chassis Components



SIDE BRACKET


Material: 1.6mm Aluminium Clean or Mild Steel, Plated and Passivated.

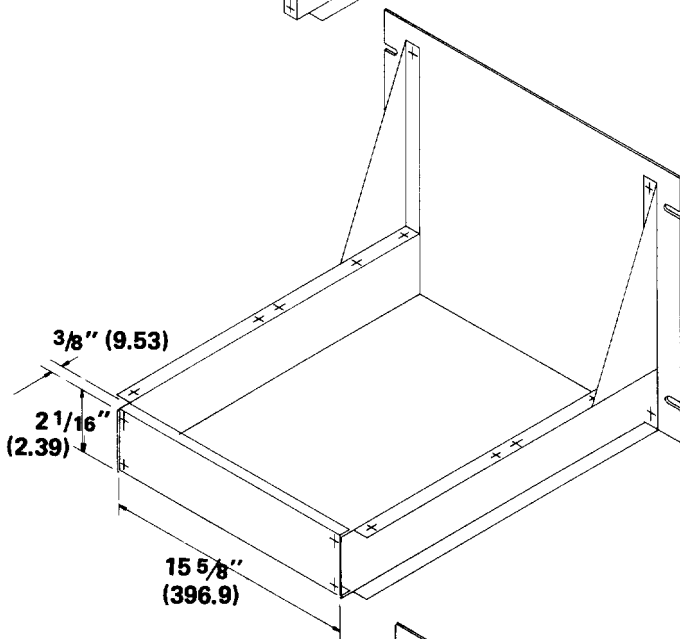
	A	
	ins.	mm
	2 3/8"	60.33
	4 1/8"	104.78
	5 7/8"	149.23
	7 5/8"	193.68
	9 3/8"	238.13



SIDE FRAME MEMBER

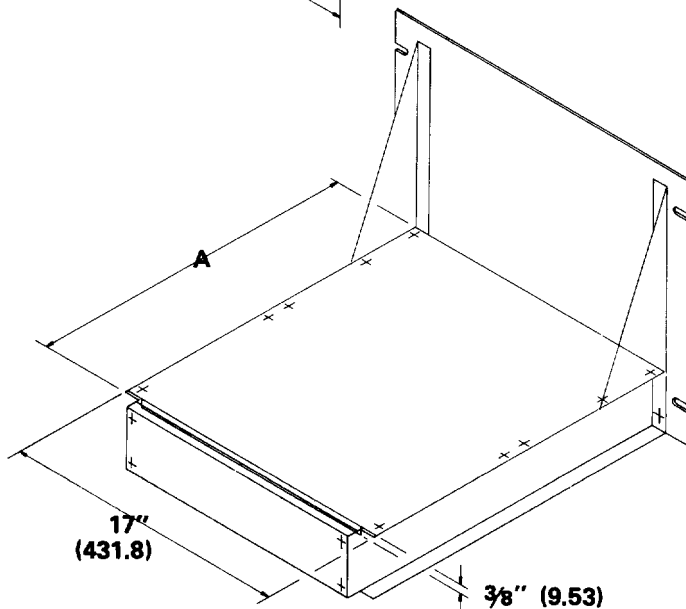
Material: 1.6mm Aluminium Clean or Mild Steel, Plated and Passivated.

	A	
	ins.	mm
	5 1/2"	139.7
	10 1/2"	266.7
	15 1/2"	393.7




BACK BEAM

Material: 1.6mm Aluminium Clean or Mild Steel, Plated and Passivated.

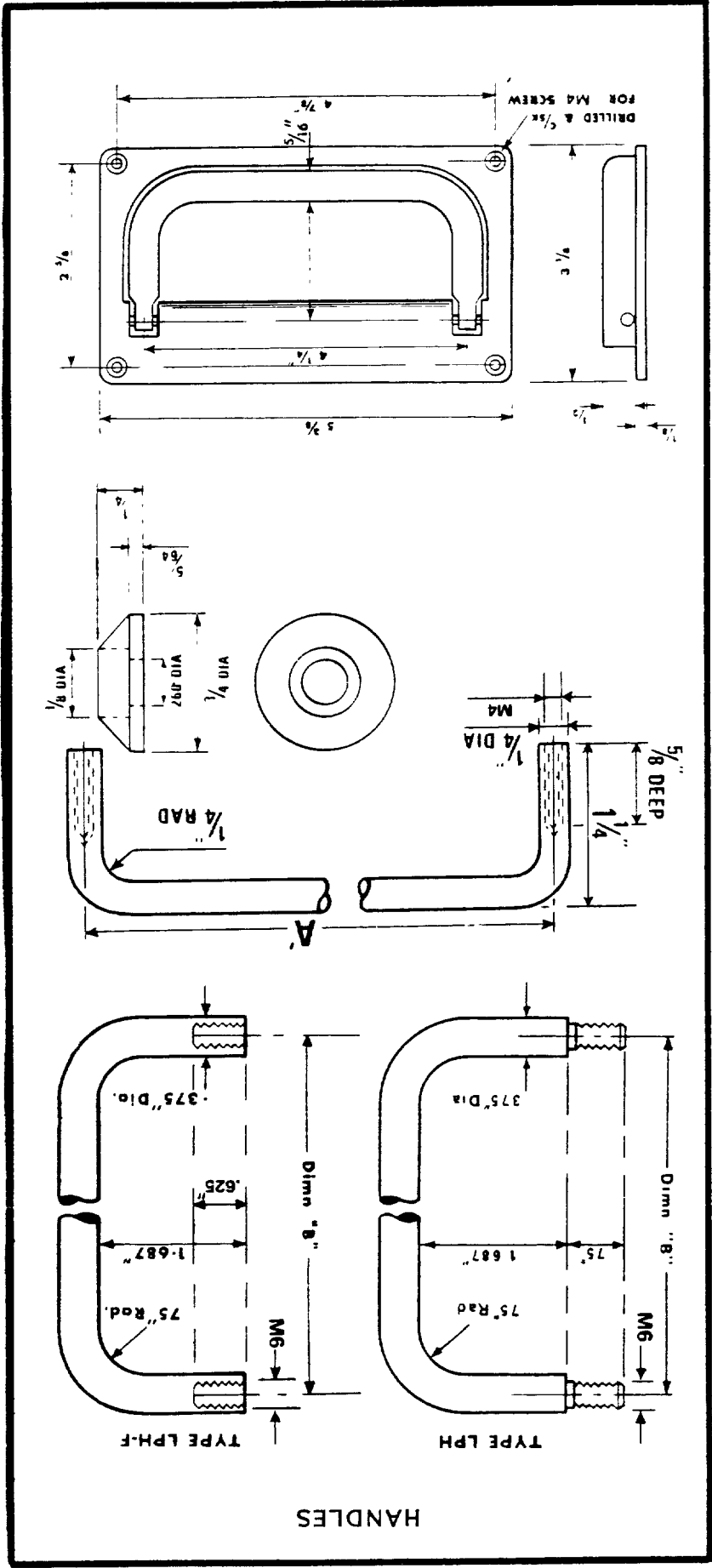


CHASSIS PLATFORM

Material: 1.6mm Aluminium Clean or Mild Steel, Plated and Passivated.

	A	
	ins.	mm
	5"	127
	10"	254
	15"	381

Add to Order Code: 'M.S.' or 'A' for material required.



HANDLES

MAINE ENGINEERING

