

**PLEASE CHECK WWW.MOLEX.COM FOR LATEST PART INFORMATION**

**Part Number:** [0386007806](#)  
**Status:** **Active**  
**Description:** 6.35mm (.250") Pitch Beau™ PCB Tri-Barrier Terminal Strip, without Mounting Ends, with Clamp Washer Screws, 300V, 6 Circuits

**Documents:**

[Drawing \(PDF\)](#) [RoHS Certificate of Compliance \(PDF\)](#)

**General**

Product Family	Terminal Blocks
Series	<a href="#">38600</a>
Application	Wire-to-Board
Component Type	One Piece
Product Name	Fixed Mount Barrier
Type	Barrier Strip

**Physical**

Circuits (Loaded)	6
Circuits (maximum)	6
Color - Resin	Black
Entry Angle	Horizontal
Lock to Mating Part	None
Material - Metal	Brass
Material - Plating Mating	Tin
Material - Plating Termination	Tin
Material - Resin	Polyester Alloy
Number of Rows	1
Orientation	Horizontal
PC Tail Length (in)	0.200 In
PC Tail Length (mm)	5.10 mm
PCB Thickness Recommended (in)	0.125 In
PCB Thickness Recommended (mm)	3.18 mm
Panel Mount	No
Pitch - Mating Interface (in)	0.250 In
Pitch - Mating Interface (mm)	6.35 mm
Pitch - Term. Interface (in)	0.250 In
Pitch - Term. Interface (mm)	6.35 mm
Polarized to Mating Part	No
Shrouded	Tri-Barrier
Stackable	No
Surface Mount Compatible (SMC)	No
Temperature Range - Operating	-40°C to +130°C
Wire Size AWG	18, 20, 22

**Electrical**

Current - Maximum per Contact	10A
Voltage - Maximum	300V

**Solder Process Data**

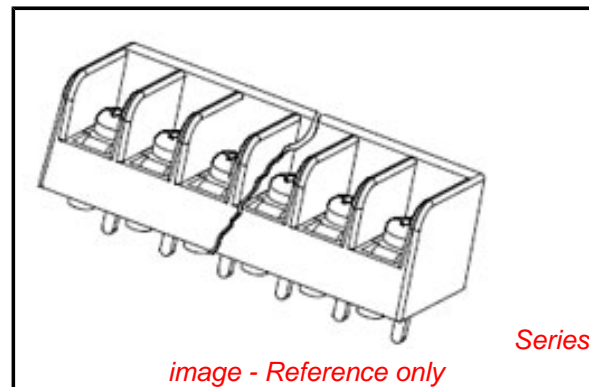
Lead-free Process Capability	Wave Capable (TH only)
------------------------------	------------------------

**Material Info**

Old Part Number	60506-C-50
-----------------	------------

**Reference - Drawing Numbers**

Sales Drawing	SD-38600-001
---------------	--------------



**EU RoHS**

**ELV and RoHS  
Compliant**  
**REACH SVHC**  
 Not Reviewed  
**Halogen-Free  
Status**  
**Not Reviewed**

**China RoHS**



**Need more information on product  
environmental compliance?**

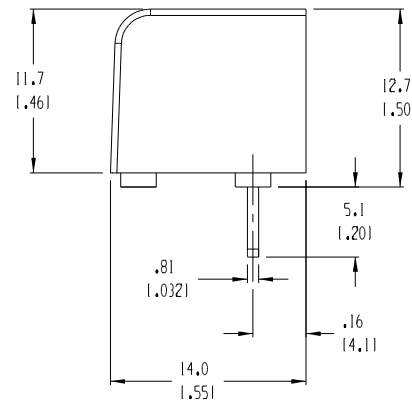
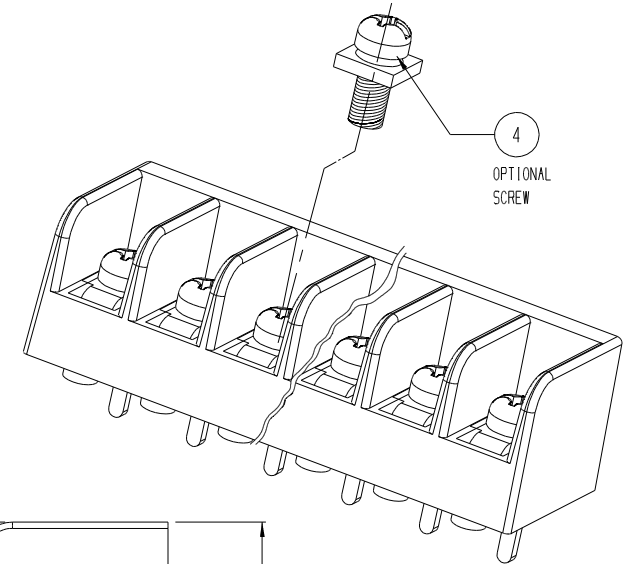
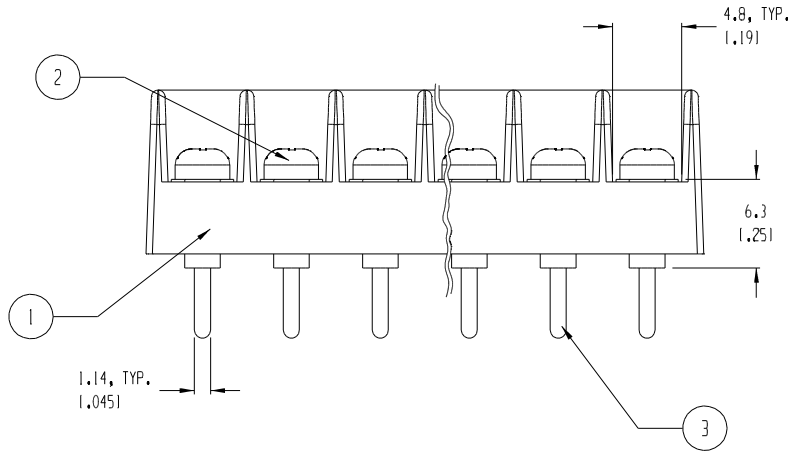
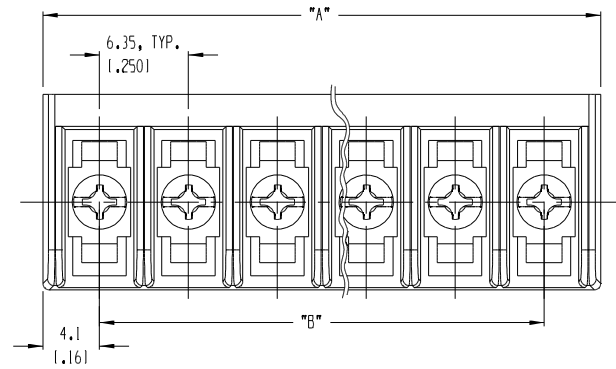
Email [productcompliance@molex.com](mailto:productcompliance@molex.com)  
 For a multiple part number RoHS Certificate of  
 Compliance, [click here](#)

Please visit the [Contact Us](#) section for any  
 non-product compliance questions.

**Search Parts in this Series**  
[38600Series](#)

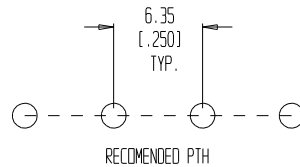
This document was generated on 04/12/2010

**PLEASE CHECK [WWW.MOLEX.COM](http://WWW.MOLEX.COM) FOR LATEST PART INFORMATION**



NOTES:

1. MATERIAL: SEE TABLE
2. FINISHES: SEE TABLE
3. PRODUCT SPECIFICATION: NOT REQUIRED
4. PACKAGING: NOT REQUIRED
5. MATES WITH: NONE
6. "XX" REFERS TO THE NUMBER OF CIRCUITS.



ITEM	QTY.	DESCRIPTION	MATERIAL	FINISH
4	XX	#3-48 SCREW W/WASHER	STEEL	Zn CLEAR CHROMATE
3	XX	TERMINAL	BRASS	TIN
2	XX	#3-48 SCREW	BRASS	NICKEL
1	1	SR BTS	THERMOPLASTIC	BLACK

EC NO. ECN 3836  
 DRWN: JF 10-27-04  
 CHK: [ ]  
 APPR: [ ]

QUALITY SYMBOLS:  
 MAJOR: [ ]  
 CRITICAL: [ ]  
 SPC: [ ]  
 S: [ ]

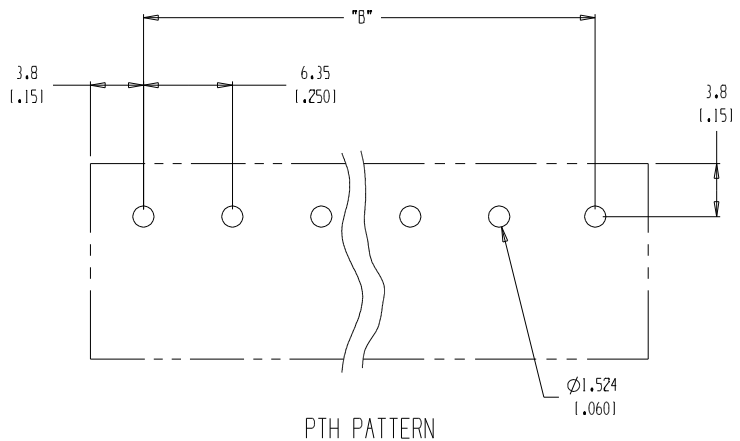
GENERAL TOLERANCES: (UNLESS SPECIFIED)	
mm	INCH
4 PLACES	±.0015
3 PLACES	±.005
2 PLACES	±.01
1 PLACE	±.3
ANGULAR: ±2°	

SCALE: 3:1  
 DESIGN UNITS: [ ] mm [X] INCH  
 DRAWN BY & DATE: W. HOWARD 10-7-03  
 CHECKED BY & DATE: R. KEMP 10-9-03  
 APPROVED BY & DATE: P. WALTZ 10-10-03  
 CAD FILENAME: 605XX-C

THIRD ANGLE PROJECTION  
 TITLE: SR BTS, ASSY  
 MATERIAL NO. SEE CHART  
 DRAWING NO. SD-38600-001

PROJECT NO.		SHT	REV
DIMENSIONS:		REVISE ON CAD ONLY	
<input checked="" type="checkbox"/> mm	<input type="checkbox"/> INCH	<input type="checkbox"/> mm	<input type="checkbox"/> ONLY
THIS DRAWING CONTAINS INFORMATION THAT IS PROPRIETARY TO MOLEX INCORPORATED AND SHOULD NOT BE USED WITHOUT WRITTEN PERMISSION.		SHEET NO. 1 OF 2	

SIZE B



△

NUMBER OF CIRCUITS "XX"	DIM. "A"	DIM. "B"	MATERIAL NO. (OPT -C, -50)	MATERIAL NO. (OPT -C)	MATERIAL NO. (INSULATOR)
02	14.48 (1.570)	6.35 (1.250)	38600-7802	38600-6602	38608-2735
03	20.83 (1.820)	12.70 (1.500)	38600-7803	38600-6603	38608-2736
04	27.18 (1.070)	19.05 (1.750)	38600-7804	38600-6604	38608-2737
05	33.53 (1.320)	25.40 (1.000)	38600-7805	38600-6605	38608-2738
06	39.88 (1.570)	31.75 (1.250)	38600-7806	38600-6606	38608-2739
07	46.23 (1.820)	38.10 (1.500)	38600-7807	38600-6607	38608-2740
08	52.58 (2.070)	44.45 (1.750)	38600-7808	38600-6608	38608-2741
09	58.93 (2.320)	50.80 (2.000)	38600-7809	38600-6609	38608-2742
10	65.28 (2.570)	57.15 (2.250)	38600-7810	38600-6610	38608-2743
11	71.63 (2.820)	63.50 (2.500)	38600-7811	38600-6611	38608-2744
12	77.98 (3.070)	69.85 (2.750)	38600-7812	38600-6612	38608-2745
13	84.33 (3.320)	76.20 (3.000)	38600-7813	38600-6613	38608-2746
14	90.68 (3.570)	82.55 (3.250)	38600-7814	38600-6614	38608-2747
15	97.03 (3.820)	88.90 (3.500)	38600-7815	38600-6615	38608-2748
16	103.38 (4.070)	95.25 (3.750)	38600-7816	38600-6616	38608-2749
17	109.73 (4.320)	101.60 (4.000)	38600-7817	38600-6617	38608-2750
18	116.08 (4.570)	107.95 (4.250)	38600-7818	38600-6619	38608-2751
19	122.43 (4.820)	114.30 (4.500)	38600-7819	38600-6619	38608-2752
20	128.78 (5.070)	120.65 (4.750)	38600-7820	38600-6620	38608-2753
21	135.13 (5.320)	127.00 (5.000)	38600-7821	38600-6621	38608-2754
22	141.48 (5.570)	133.35 (5.250)	38600-7822	38600-6622	38608-2755
23	147.83 (5.820)	139.70 (5.500)	38600-7823	38600-6623	38608-2756
24	154.18 (6.070)	146.05 (5.750)	38600-7824	38600-6624	38608-2757
25	160.53 (6.320)	152.40 (6.000)	38600-7825	38600-6625	38608-2758
26	166.88 (6.570)	158.75 (6.250)	38600-7826	38600-6626	38608-2759
27	173.23 (6.820)	165.10 (6.500)	38600-7827	38600-6627	38608-2760
28	179.58 (7.070)	171.45 (6.750)	38600-7828	38600-6628	38608-2761
29	185.93 (7.320)	177.80 (7.000)	38600-7829	38600-6629	38608-2762
30	192.28 (7.570)	184.15 (7.250)	38600-7830	38600-6630	38608-2763
31	198.63 (7.820)	190.50 (7.500)	38600-7831	38600-6631	38608-2764
32	204.98 (8.070)	196.85 (7.750)	38600-7832	38600-6632	38608-2765

EC NO. SEE SHEET DRAWN: ONE CH: K1 APPR:	QUALITY SYMBOLS MAJOR CRITICAL SPC	GENERAL TOLERANCES: (UNLESS SPECIFIED) mm INCH 4 PLACES ±.0015 3 PLACES ±.038 ±.005 2 PLACES ±.13 ±.01 1 PLACE ±.3 ANGULAR: ±2° DRAFT WHERE APPLICABLE MUST REMAIN WITHIN DIMENSIONS	SCALE 3:1	DESIGN UNITS <input type="checkbox"/> mm <input checked="" type="checkbox"/> INCH	THIRD ANGLE PROJECTION	PROJECT NO.	SHT	REV	
			DRAWN BY & DATE W. HOWARD 10-7-03	CHECKED BY & DATE R. KEMP 10-9-03	DIMENSIONS: <input checked="" type="checkbox"/> mm <input type="checkbox"/> INCH <input type="checkbox"/> mm ONLY		TITLE: SR BTS, ASSY		
			APPROVED BY & DATE P. WALTZ 10-10-03	CAD FILENAME 605XX-C		MATERIAL NO. SEE CHART		DRAWING NO. SD-38600-001	SHEET NO. 2 OF 2
			THIS DRAWING CONTAINS INFORMATION THAT IS PROPRIETARY TO MOLEX INCORPORATED AND SHOULD NOT BE USED WITHOUT WRITTEN PERMISSION.						SIZE B