

**PLEASE CHECK WWW.MOLEX.COM FOR LATEST PART INFORMATION**

**Part Number:** [0951154884](#)  
**Status:** **Active**  
**Overview:** [modular\\_plugs](#)  
**Description:** Round Cable Boot with Latch Protection for Modular Plug, Red

**Documents:**

[Application Specification \(PDF\)](#)                      [Packaging Specification \(PDF\)](#)  
[Drawing \(PDF\)](#)    [RoHS Certificate of Compliance \(PDF\)](#)

**General**

Product Family	Accessories
Series	<a href="#">95115</a>
Comments	"Must be ordered with series 85568"
Component Type	Boot
Overview	<a href="#">modular_plugs</a>
Product Name	N/A

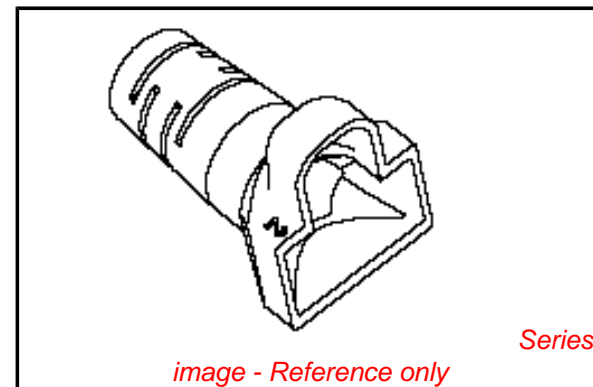
**Physical**

Breakaway	No
Circuits (Loaded)	N/A
Circuits (maximum)	0
Gender	N/A
Lock to Mating Part	None
Number of Rows	0
Packaging Type	Bag
Polarized to Mating Part	N/A
Temperature Range - Operating	N/A

**Material Info**

**Reference - Drawing Numbers**

Sales Drawing	SD-95115-001
---------------	--------------



*image - Reference only*

**EU RoHS**

**ELV and RoHS  
Compliant**  
**REACH SVHC**  
 Not Reviewed  
**Halogen-Free**  
**Status**  
**Not Reviewed**

**China RoHS**



**Need more information on product  
environmental compliance?**

Email [productcompliance@molex.com](mailto:productcompliance@molex.com)  
 For a multiple part number RoHS Certificate of  
 Compliance, [click here](#)

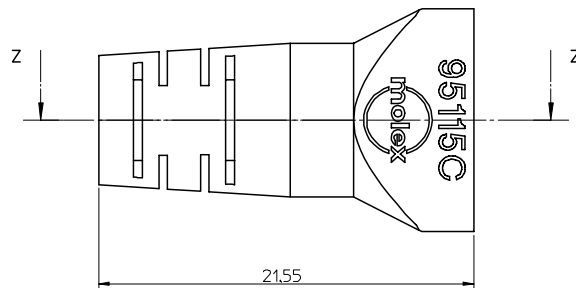
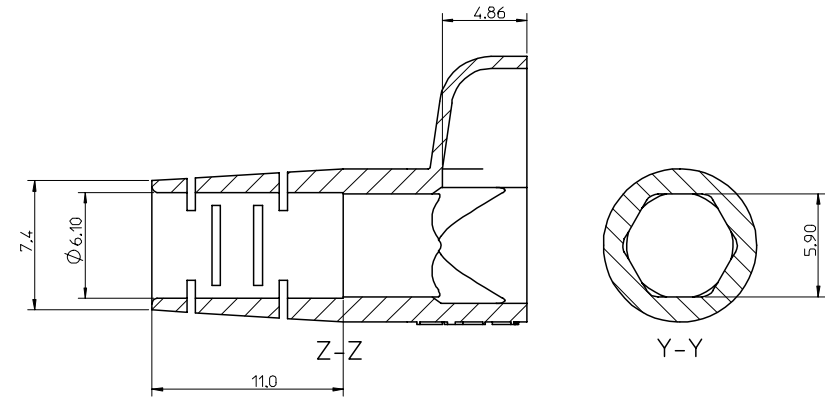
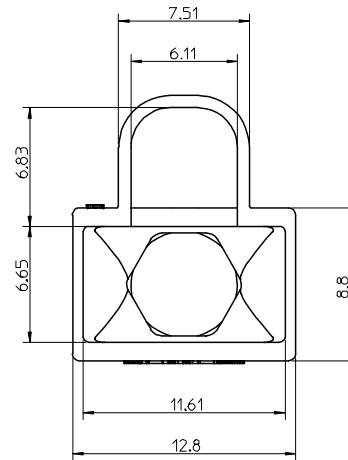
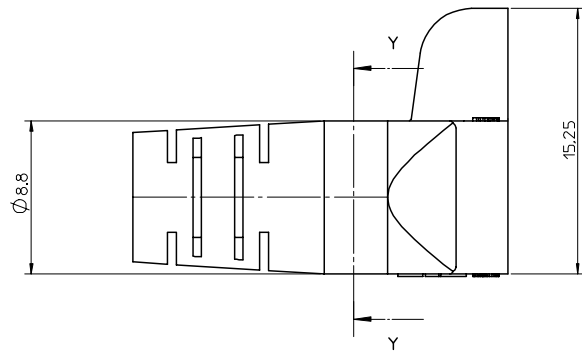
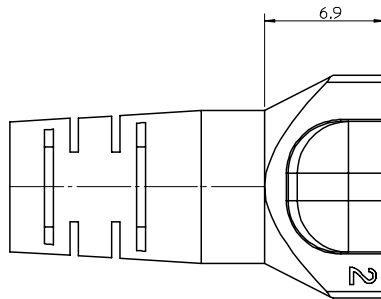
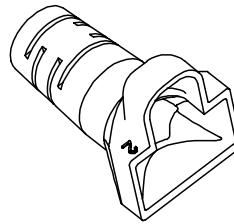
Please visit the [Contact Us](#) section for any  
 non-product compliance questions.

**Search Parts in this Series**  
[95115Series](#)

**Use With**  
[85568](#)

**PLEASE CHECK WWW.MOLEX.COM FOR LATEST PART INFORMATION**

PART NUMBER CHART			
PART NUMBER	MARKING	COLOUR	RAL NBR
95115-4881	95115 C	BLACK	9005
95115-4882	95115 C	GREY	7035
95115-4883	95115 C	GREEN	6016
95115-4884	95115 C	RED	3000
95115-4885	95115 C	YELLOW	1021
95115-4886	95115 C	BLUE	5015
95115-4887	95115 C	ORANGE	2003



NOTES:

- 1- MATERIAL: THERMOPLASTIC RUBBER 'SANTOPRENE 251-80' FROM MONSANTO RATED UL 94 V-0, HARDNESS 80 SHORE A COLOUR: SEE CHART
- 2- EXTERNAL ASPECT AND COLOUR MUST BE UNIFORM
- 3- DIMENSIONS GIVEN ABOUT CENTRELINES ARE SYMMETRICAL ABOUT CENTRELINES WITHIN HALF THE TOTAL TOLERANCE.
- 4- NO BURRS, MARKS ALLOWED ON ALL OUTER SURFACES.
- 5- APPLICATION SPECIFICATION: AS-85568-002
- 6- PACKAGING SPECIFICATION: SEE PK-95115-001

ORIGINAL RELEASE EC NO: E2007-0982 DRAWN BY: DBYRNES CHKD: EOMAHONY APPR: EOMAHONY	DESCRIPTION 2007/05/24 2007/05/24 2007/05/25	QUALITY SYMBOLS		GENERAL TOLERANCES (UNLESS SPECIFIED)		DIMENSION STYLE		SCALE	DESIGN UNITS	THIRD ANGLE PROJECTION
		▽=0	▽=0	mm	INCH	MM ONLY	5:1	METRIC		
		4 PLACES ± ---	± ---	DRAWN BY DATE		DRAWN BY DATE		TITLE		
		3 PLACES ± ---	± ---	CHECKED BY DATE		CHECKED BY DATE		ROUND CABLE BOOT WITH LATCH PROTECTION FOR MODULAR PLUG		
		2 PLACES ± 0.20	± ---	APPROVED BY DATE		APPROVED BY DATE		MOLEX INCORPORATED		
		1 PLACE ± 0.3	± ---	MATERIAL NO.		MATERIAL NO.		DOCUMENT NO.		
		ANGULAR ± 5 °		DRAFT WHERE APPLICABLE MUST REMAIN WITHIN DIMENSIONS		SEE CHART		SD-95115-001		SHEET NO. 1 OF 1