

PLEASE CHECK WWW.MOLEX.COM FOR LATEST PART INFORMATION

Part Number: [0951154886](#)
Status: **Active**
Overview: [modular_plugs](#)
Description: Round Cable Boot with Latch Protection for Modular Plug, Blue

Documents:

[Application Specification \(PDF\)](#) [Drawing \(PDF\)](#)
[Packaging Specification \(PDF\)](#) [RoHS Certificate of Compliance \(PDF\)](#)

General

Product Family	Accessories
Series	95115
Comments	"Must be ordered with series 85568"
Component Type	Boot
Overview	modular_plugs
Product Name	N/A

Physical

Breakaway	No
Circuits (Loaded)	N/A
Circuits (maximum)	0
Gender	N/A
Lock to Mating Part	None
Number of Rows	0
Packaging Type	Bag
Polarized to Mating Part	N/A
Temperature Range - Operating	N/A

Material Info

Reference - Drawing Numbers

Sales Drawing	SD-95115-001
---------------	--------------

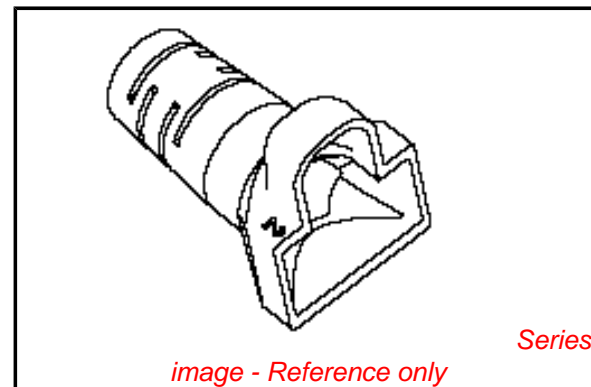


image - Reference only

EU RoHS

**ELV and RoHS
Compliant**
REACH SVHC
 Not Reviewed
Halogen-Free
Status
Not Reviewed

China RoHS



**Need more information on product
environmental compliance?**

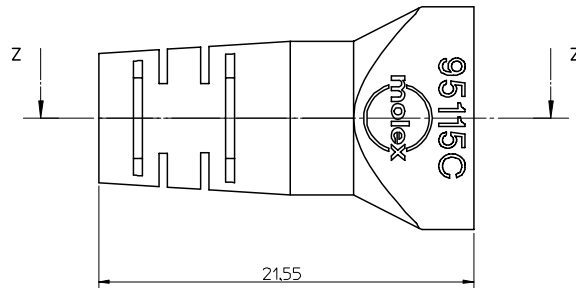
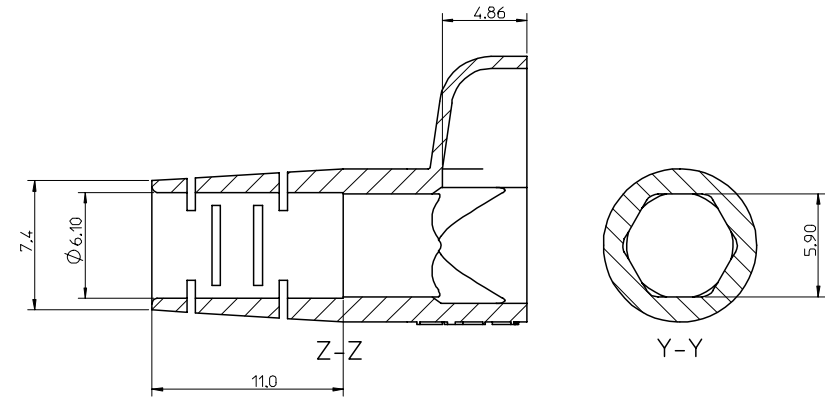
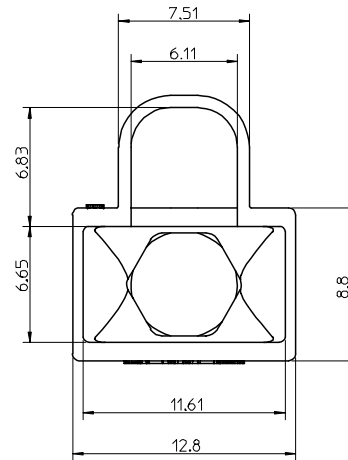
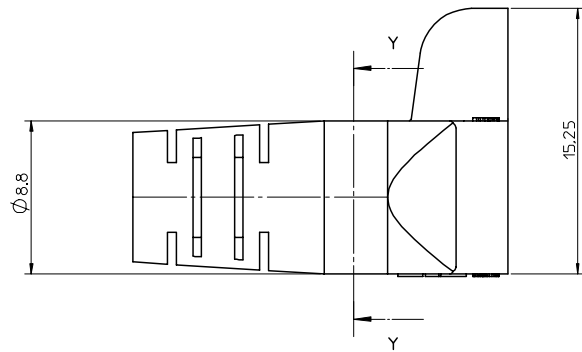
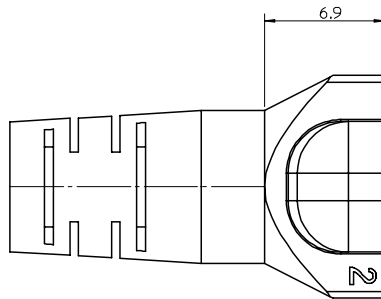
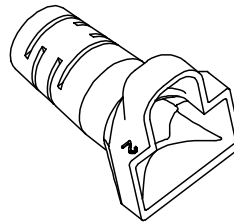
Email productcompliance@molex.com
 For a multiple part number RoHS Certificate of
 Compliance, [click here](#)

Please visit the [Contact Us](#) section for any
 non-product compliance questions.

Search Parts in this Series
[95115Series](#)

Use With
[85568](#)

PART NUMBER CHART			
PART NUMBER	MARKING	COLOUR	RAL NBR
95115-4881	95115 C	BLACK	9005
95115-4882	95115 C	GREY	7035
95115-4883	95115 C	GREEN	6016
95115-4884	95115 C	RED	3000
95115-4885	95115 C	YELLOW	1021
95115-4886	95115 C	BLUE	5015
95115-4887	95115 C	ORANGE	2003



NOTES:

- 1- MATERIAL: THERMOPLASTIC RUBBER 'SANTOPRENE 251-80' FROM MONSANTO RATED UL 94 V-0, HARDNESS 80 SHORE A COLOUR: SEE CHART
- 2- EXTERNAL ASPECT AND COLOUR MUST BE UNIFORM
- 3- DIMENSIONS GIVEN ABOUT CENTRELINES ARE SYMMETRICAL ABOUT CENTRELINES WITHIN HALF THE TOTAL TOLERANCE.
- 4- NO BURRS, MARKS ALLOWED ON ALL OUTER SURFACES.
- 5- APPLICATION SPECIFICATION: AS-85568-002
- 6- PACKAGING SPECIFICATION: SEE PK-95115-001

ORIGINAL RELEASE EC NO: E2007-0982 DRAWN BY: DBYRNES CHKD: EOMAHONY APPR: EOMAHONY	DESCRIPTION 2007/05/24 2007/05/24 2007/05/25	QUALITY SYMBOLS		GENERAL TOLERANCES (UNLESS SPECIFIED)		DIMENSION STYLE		SCALE	DESIGN UNITS	THIRD ANGLE PROJECTION
		$\nabla=0$ $\nabla=0$	mm INCH 4 PLACES ± --- ± --- 3 PLACES ± --- ± --- 2 PLACES ± 0.20 ± --- 1 PLACE ± 0.3 ± --- ANGULAR ± 5 °	MM ONLY	5:1	METRIC	DRAWN BY: DBYRNES DATE: 2007/05/22 CHECKED BY: EOMAHONY DATE: 2007/05/23 APPROVED BY: EOMAHONY DATE: 2007/05/23 MATERIAL NO. DOCUMENT NO.			
DRAFT WHERE APPLICABLE MUST REMAIN WITHIN DIMENSIONS						SEE CHART		SD-95115-001		SHEET NO. 1 OF 1

ROUND CABLE BOOT WITH LATCH PROTECTION FOR MODULAR PLUG

molex MOLEX INCORPORATED

THIS DRAWING CONTAINS INFORMATION THAT IS PROPRIETARY TO MOLEX INCORPORATED AND SHOULD NOT BE USED WITHOUT WRITTEN PERMISSION