

To all our customers

---

## **Regarding the change of names mentioned in the document, such as Mitsubishi Electric and Mitsubishi XX, to Renesas Technology Corp.**

---

The semiconductor operations of Hitachi and Mitsubishi Electric were transferred to Renesas Technology Corporation on April 1st 2003. These operations include microcomputer, logic, analog and discrete devices, and memory chips other than DRAMs (flash memory, SRAMs etc.) Accordingly, although Mitsubishi Electric, Mitsubishi Electric Corporation, Mitsubishi Semiconductors, and other Mitsubishi brand names are mentioned in the document, these names have in fact all been changed to Renesas Technology Corp. Thank you for your understanding. Except for our corporate trademark, logo and corporate statement, no changes whatsoever have been made to the contents of the document, and these changes do not constitute any alteration to the contents of the document itself.

Note : Mitsubishi Electric will continue the business operations of high frequency & optical devices and power devices.

Renesas Technology Corp.  
Customer Support Dept.  
April 1, 2003

**Under Development**

SINGLE-CHIP 32-BIT CMOS MICROCOMPUTER

**Description**

The 32180 Group is a 32-bit, single-chip RISC microcomputer with built-in flash memory, which was developed for use in general industrial and household equipment. To accomplish high-precision arithmetic operations, it incorporates a fully IEEE754 compliant, single-precision FPU.

This microcomputer contains a variety of peripheral functions ranging from two independent blocks of 16-channel A-D converters to 64-channel multifunction timers, 10-channel DMACs, 6-channel serial I/Os, and 1-channel real-time debugger. Also included are 2-channel Full-CAN modules and JTAG (boundary scan facility). With the software necessary to run these numerous peripheral functions stored in its large-capacity flash memory, this microcomputer meets the needs of application systems for high functionality, high-performance arithmetic capability, and sophisticated control. With lower power consumption and low noise characteristics also considered, these microcomputers are ideal for embedded equipment applications.

**Features**

M32R-FPU core

- Uses the M32R family RISC CPU core (M32R family common instruction set + single-precision FPU/extended instructions)
- Five-stage pipelined processing
- Sixteen 32-bit general-purpose registers
- 16-bit/32-bit instructions implemented
- DSP function instructions (sum-of-products calculation using 56-bit accumulator)
- Built-in single-precision FPU (fully compliant with IEEE754 standard: four rounding modes, etc.)
- Bit manipulation extended instructions
- Built-in flash memory ..... 1M bytes (1024K bytes)
- Built-in flash programming boot program
- Built-in RAM ..... 48K bytes
- PLL clock generating circuit..... Built-in x 8 PLL circuit
- Oscillation stop detection function
- Maximum operating frequency of the CPU clock

Type Name	Frequency	Temperature range
M32180F8VFP	64MHz	-40°C to +125°C
M32180F8TFP	80MHz	-40°C to +85°C

- Single power supply: 5 V ( $\pm 0.5$  V) or 3.3 V ( $\pm 0.3$  V)

**64-channel multijunction timers (MJT)**

Multifunction timers are incorporated that support various purposes of use.

- 16-bit output related timers (TOP) ..... 11 channels
- 16-bit input/output related timers (TIO)..... 10 channels
- 16-bit input related timers (TMS) ..... 8 channels
- 16-bit input related up/down-timers (TID) ..... 3 channels
- 24-bit output related timers (TOU) ..... 24 channels
- 32-bit input related timers (TML) ..... 8 channels

- Flexible configuration is possible through interconnection of timers.
- The internal DMAC and A-D converter can be started by a timer.
- Built-in PWM output cut function for motor control (TOU)

**Real-time Debugger**

- Includes dedicated clock-synchronized serial I/O that can read and write the contents of the internal RAM independently of the CPU.
- Can look up and update the data table in real time while the program is running.
- Can generate a dedicated interrupt based on RTD communication.

**Abundant internal peripheral functions**

In addition to the timers and real-time debugger, the microcomputer contains the following peripheral functions.

- DMAC ..... 10 channels
- A-D converters (Sample & hold mode, Disconnection detector assist function, Injection current bypass circuit) ..... 16 channels 10-bit converter x 2
- Serial I/O ..... 6 channels
- Interrupt controller: 32 interrupt sources, 8 priority levels
- Wait controller
- Full CAN (CAN Specification 2.0B active) ..... 2 channels
- Virtual-Flash emulation function ..... 4K bytes x 8 banks
- JTAG (boundary scan function, Mitsubishi original SDI debug function)
- Port input threshold level select function

**Designed to operate at high temperatures**

To meet the need for use at high temperatures, M32180F8VFP is designed to be able to operate in the temperature range of -40 to +125°C when CPU clock operating frequency = 64 MHz. M32180F8TFP is designed to be able to operate in the temperature range of -40 to +85°C when CPU clock operating frequency = 80 MHz.

**Applications**

Automobile equipment control (e.g., Engine, ABS, and AT), industrial equipment system control, and high-function OA equipment (e.g., PPC)

# 32180 Group

## Under Development

SINGLE-CHIP 32-BIT CMOS MICROCOMPUTER

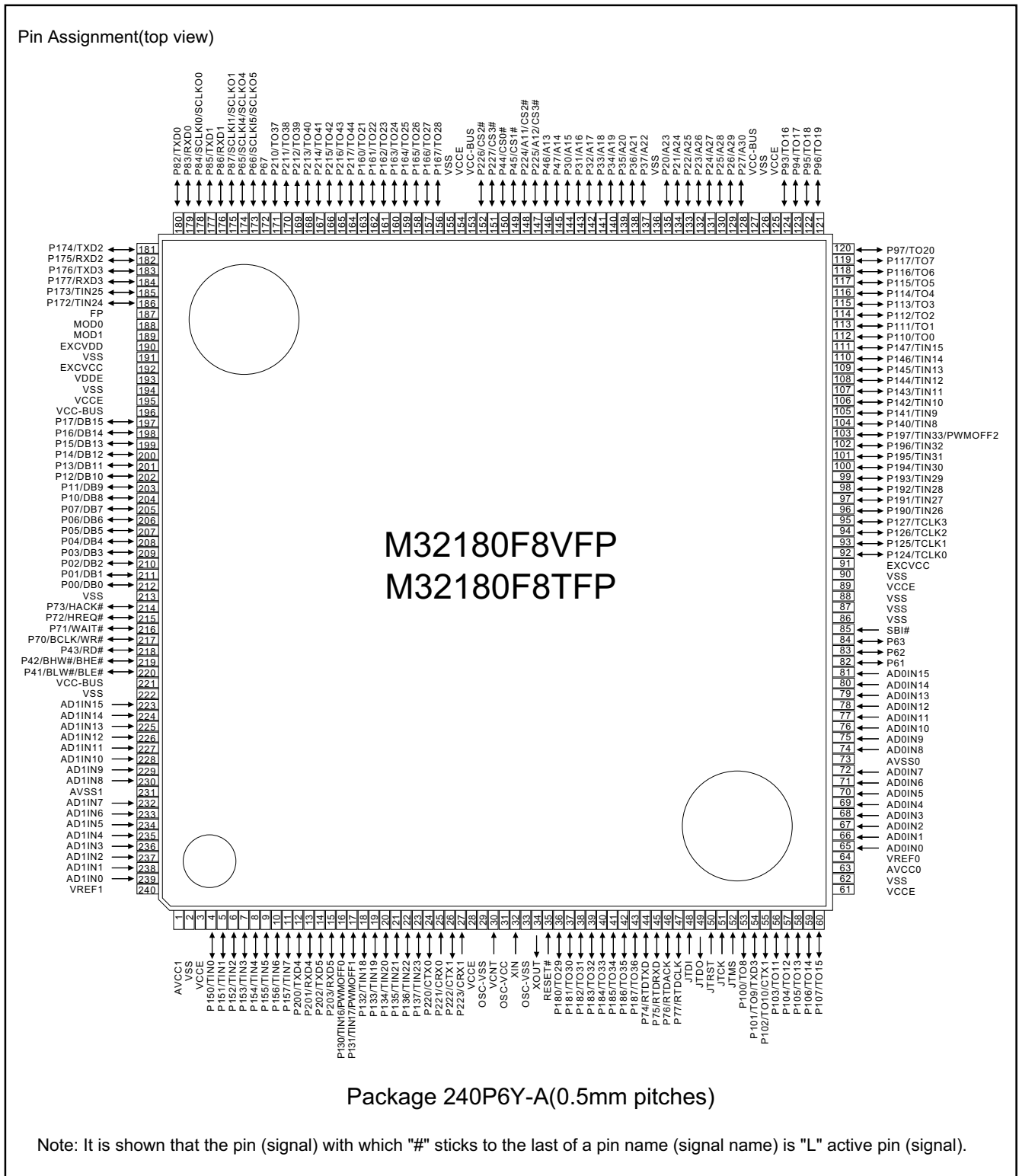


Figure 1. Pin Layout Diagram

# 32180 Group

Under Development

SINGLE-CHIP 32-BIT CMOS MICROCOMPUTER

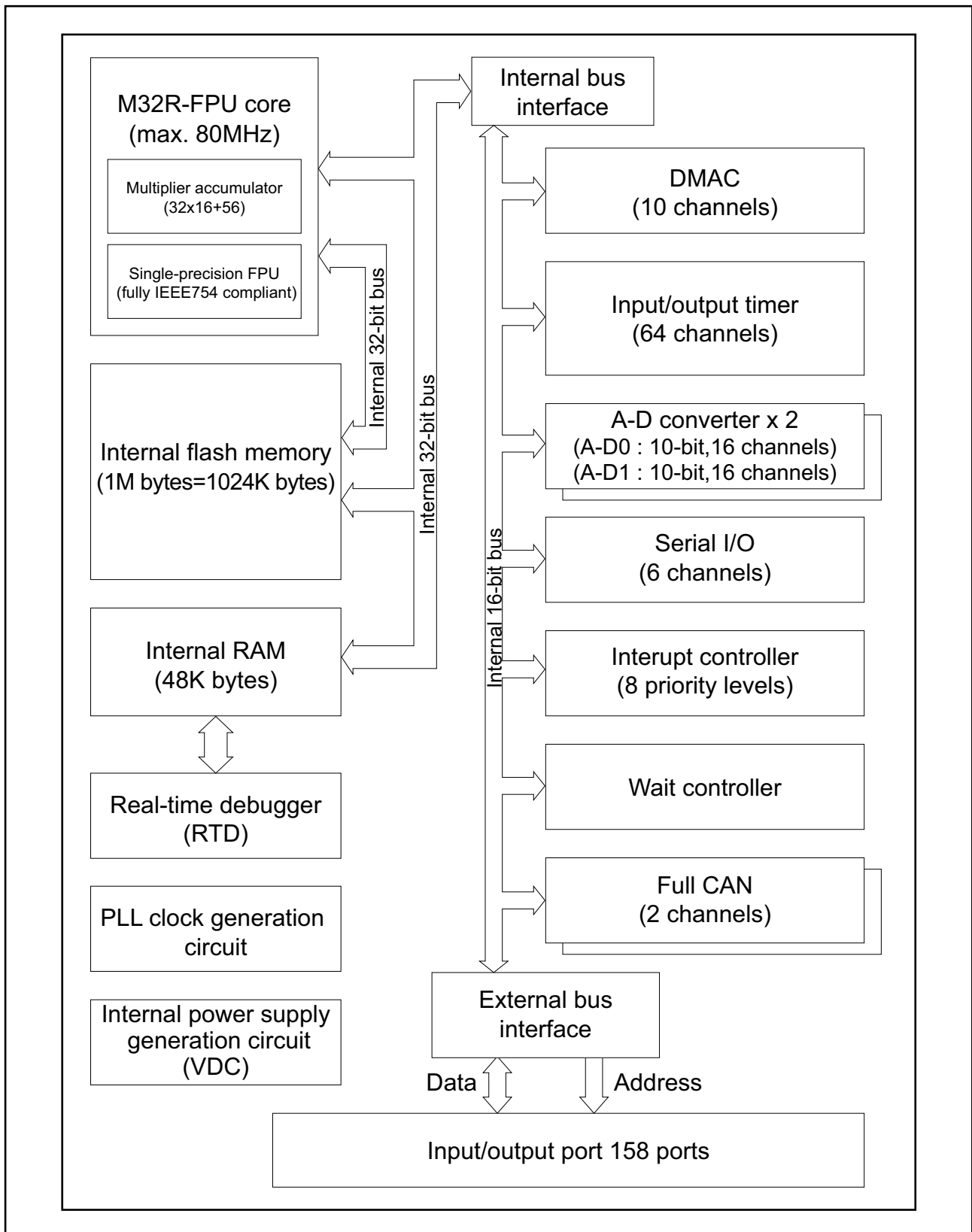


Figure 2. Block diagram

**32180 Group****Under Development**

SINGLE-CHIP 32-BIT CMOS MICROCOMPUTER

**Table 1. Outline Performance**

Functional Block	Features
M32R-FPU core	M32R family CPU core, internally configured in 32-bit Built-in multiplier-accumulator (32 x 16 + 56) Basic bus cycle M32180F8VFP: 15.625 ns (CPU clock frequency at 64 MHz, Internal peripheral clock frequency at 16MHz) M32180F8TFP: 12.5 ns (CPU clock frequency at 80 MHz, Internal peripheral clock frequency at 20MHz) Logical address space: 4G bytes, linear General-purpose register: 32-bit register x 16, Control register: 32-bit register x 6 Accumulator: 56-bit
External data bus	16-bit data bus
Instruction set	16-bit/32-bit instruction formats 100 discrete instructions in six addressing modes
Internal flash memory	1024K bytes Rewrite durability: 100 times
Internal RAM	48K bytes
DMAC	10 channels (DMA transfers between internal peripheral I/Os, between internal peripheral I/O and internal RAM, and between internal RAMs) Channels can be cascaded and can operate in combination with internal peripheral I/O
Multijunction timer	64 channels of multijunction timers. TOP : 16-bit output related timer, 11 channels (single-shot, delayed single-shot, and continuous) TIO : 16-bit input/output related timer, 10 channels (measure clear/measure free-run/noise processing input, PWM/ single-shot/delayed single-shot/continuous output) TMS : 16-bit input related timer, 8 channels (measure input) TID : 16-bit input related up/down-timer, 3 channels (fixed period, event count, up/down event count, x4 count) TOU : 24-bit output related timer, 24 channels (PWM, single-shot PWM, delayed single-shot, single-shot, continuous) Note: Functions as a 16-bit timer when in PWM or one-shot PWM mode TML : 32-bit input related timer, 8 channels (measure input) Flexible timer configuration is possible through interconnection of channels using the clock bus or event bus.
A-D converter	2 independent 10-bit multifunction A-D converters • Input 16 channels x 2 • Scan-based conversion can be switched between N (N = 1 to 16) channels • Capable of interrupt conversion during scan • 8-bit/10-bit readout function available with sample & hold mode • Disconnection detector assist function • Injection current bypass circuit
Serial I/O	6 channels (The serial I/Os can be set for synchronous serial I/O or UART. SIO2, SIO3 are UART mode only)
Real-time Debugger (RTD)	1-channels dedicated clock-synchronized serial H'0080 4000 to H'0080 FFFF: internal RAM area Can access the internal RAM for read/rewrite from outside independently of the CPU, and also generate an exclusive-use interrupt.
Interrupt controller	Controls interrupts from internal peripheral I/Os (Priority can be set to one of 8 levels including interrupt disabled)
Wait controller	Controls wait when accessing external extended area (Chip selects for four external extended areas each can have access extended for 0–7 wait cycles plus WAIT# signal entered from external source) (Note1)
CAN	Two channels, each having 16-channel message slots
JTAG	Boundary-Scan function, Built-in SDI debugger function in MITSUBISHI
Clock	M32180F8VFP: CPU clock: maximum 64 MHz (for CPU, internal ROM, and internal RAM access) Internal peripheral clock (BCLK): maximum 16 MHz (for peripheral module access) External input clock (XIN): maximum 8.0 MHz, built-in x8 PLL circuit M32180F8TFP: CPU clock: maximum 80 MHz (for CPU, internal ROM, and internal RAM access) Internal peripheral clock (BCLK): maximum 20 MHz (for peripheral module access) External input clock (XIN): maximum 10.0 MHz, built-in x8 PLL circuit
Power Supply Voltage	5 V ( $\pm 0.5$ V) or 3.3 V ( $\pm 0.3$ V) [T.B.D]: single power supply voltage (The internal logic operates with 2.5 V, however)
Operating temperature range	M32180F8VFP: -40 to +125°C (CPU clock 64MHz, internal peripheral clock 16MHz) (Note2) M32180F8TFP: -40 to +85°C (CPU clock 80MHz, internal peripheral clock 20MHz)
Package	0.5mm pitches / 240-pin QFP package (240P6Y-A)

Note 1: Wait Cycle by the external WAIT# input is not received when 0wait is selected. Moreover, as for all idle setup after the wait / strike robe / recovery / lead of CS block, only operation by "nothing" setup is guaranteed when 0wait is selected.

Note 2: This does not mean that the microcomputer is guaranteed for continuous operation at 125°C. If 125°C applications are desired, please consult Mitsubishi.

# 32180 Group

## Under Development

SINGLE-CHIP 32-BIT CMOS MICROCOMPUTER

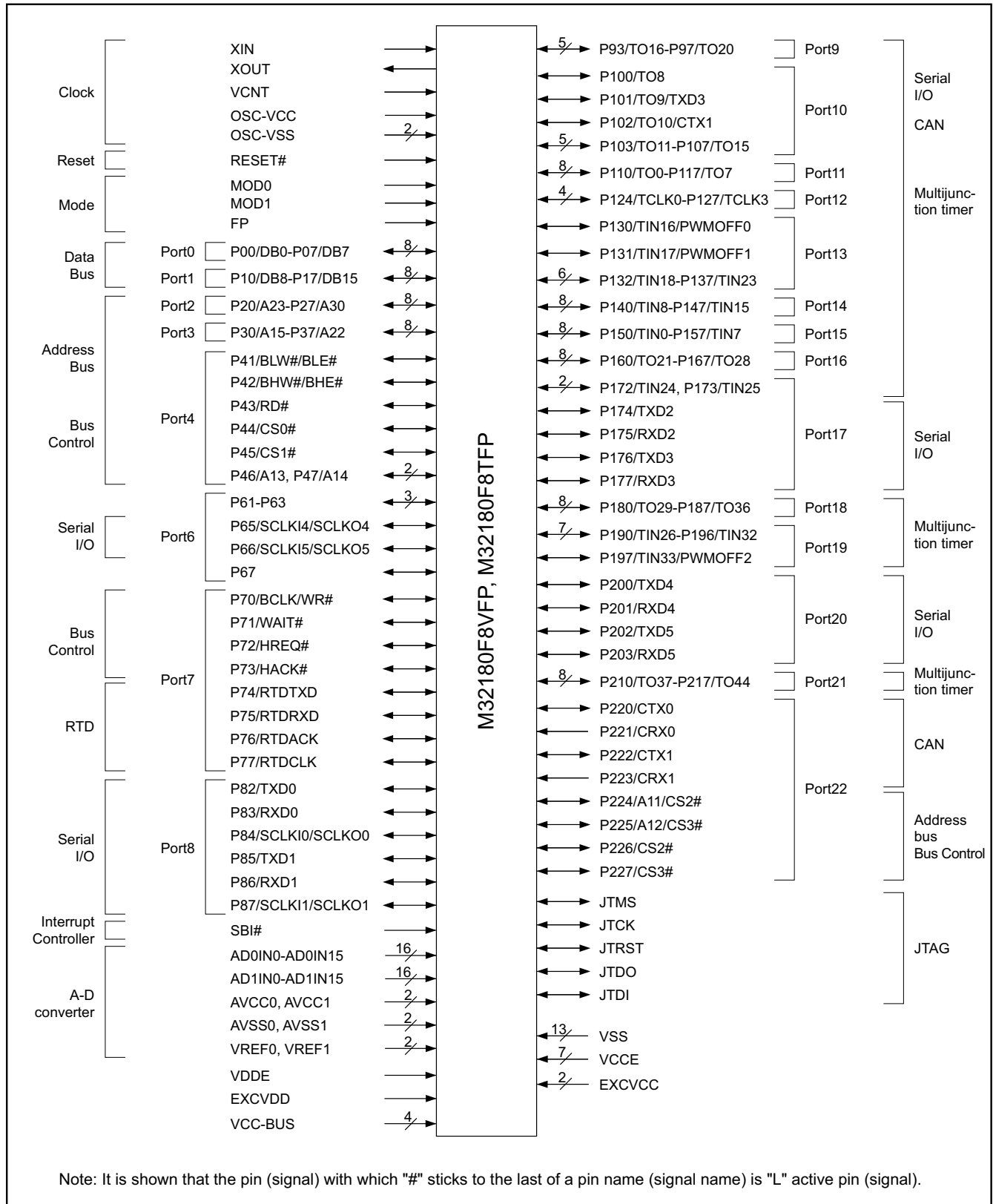


Figure 3. Pin Function Diagram

**32180 Group****Under Development**

SINGLE-CHIP 32-BIT CMOS MICROCOMPUTER

**Table 2. Description of Pin Function (1/3)**

Type	Pin Name	Description	Input/Output	Function		
Power Supply	VCCE	Power supply	-	Power supply (5.0V $\pm$ 0.5V or 3.3 V $\pm$ 0.3V).		
	EXCVCC	External capacitance connect	-	External capacitance connecting pin.		
	VCC-BUS	Bus power supply	-	Power supply for the bus control pins (5.0V $\pm$ 0.5V or 3.3 V $\pm$ 0.3V).		
	VDDE	RAM power supply	-	Internal RAM backup power supply (5.0V $\pm$ 0.5V or 3.3 V $\pm$ 0.3V).		
	EXCVDD	External capacitance connect	-	Backup power supply for the internal RAM, external capacitance connecting pin.		
	VSS	Ground	-	Connect all VSS pins to ground (GND).		
Clock	XIN	Clock input	Input	Clock input/output pins. These pins contain a PLL-based frequency multiply-by-8, so input the clock whose frequency is 1/8 the operating frequency. (XIN input = 10 MHz when CPU clock operates at 80 MHz)		
	XOUT	Clock output	Output			
	BCLK	System clock	Output		Outputs a clock twice the externally sourced clock frequency, XIN (when the internal CPU memory clock is 80 MHz, BCLK output = 20 MHz). Use this output when external sync design is desired.	
	OSC-VCC	Clock power supply	-		Power supply to the PLL circuit. Connect OSC-VCC to the power supply	
	OSC-VSS	Clock ground	-		Connect OSC-VSS to ground.	
	VCNT	PLL control	Input		This pin controls the PLL circuit. Connect a resistor and capacitor to this pin.	
Reset	RESET#	Reset	Input	This pin resets the internal circuits.		
Mode	MOD0, MOD1	Mode	Input	These pins set an operation mode.		
				MOD0	MOD1	Mode
				0	0	Single-chip mode
				0	1	Expanded external mode
				1	0	Processor mode (Boot mode) (Note1)
1	1	(Do not select)				
Flash only	FP	Flash Protect	Input	This pin protects the flash memory against E/W in hardware.		
Address Bus	A11-A30	Address bus	Output	To allow four blocks of up to 2 MB memory space each to be added externally, 20-bit address (A11-A30) is provided. A31 is not output.		
Data bus	DB0-DB15	Data bus	Input/output	This is a 16-bit data bus connecting to an external device. During write cycle, the microcomputer outputs BHW# or BLW# to indicate the valid byte write position of the 16-bit data bus. During read cycle, the microcomputer always reads the full 16-bit data bus. Transferred to the internal circuit of the M32R, however, is the data at only the valid byte position.		
Bus Control	CS0#-CS3#	Chip select	Output	Chip select signals for external devices.		
	RD#	Read	Output	This signal is output when reading external devices.		
	WR#	Write	Output	This signal is output when writing external devices.		
	BHW#	Byte High Write	Output	Indicates the byte positions to which valid are transferred when writing to external devices. BHW#/BHE# and BLW#/BLE# correspond to the upper address side (DB0-DB7 effective) and the lower address side (DB8-DB15 effective), respectively.		
	BLW#	Byte Low Write	Output			
	BHE#	Byte High Enable	Output	For external device access, it indicates that the upper byte data (DB0-DB7) is valid.		
	BLE#	Byte Low Enable	Output	For external device access, it indicates that the lower byte data (DB8-DB15) is valid.		
	WAIT#	Wait	Input	If WAIT# input is low when the M32R accesses external devices, the wait cycle extended.		
	HREQ#	Hold request	Input	This pin is used by an external device to request control of the external bus. The M32R goes to a hold state when HREQ# input is pulled low.		
	HACK#	Hold acknowledge	Output	This signal indicates to the external device that the M32R has entered a hold state and relinquished control of the external bus.		

Note 1: In boot mode, the FP pin must be at the high level.

**32180 Group****Under Development**

SINGLE-CHIP 32-BIT CMOS MICROCOMPUTER

**Table 2. Description of Pin Function (2/3)**

Type	Pin Name	Description	Input/Output	Function
Multijunction timer	TIN0 -TIN33	Timer input	Input	Input pin for multijunction timer
	TO0 -TO44	Timer output	Output	Output pin for multijunction timer
	TCLK0 -TCLK3	Timer clock	Input	Clock input pin for multijunction timers.
A-D converter	AVCC0, AVCC1	Analog power supply	-	AVCC0 and AVCC1 are the power supply for the A-D0 converter and A-D1 converter, respectively. Connect AVCC0 and AVCC1 to the power supply rail.
	AVSS0, AVSS1	Analog ground	-	AVSS0 is the analog ground for the A-D0 converters. AVSS1 is the analog ground for the A-D1 converters. Connect AVSS0, 1 to ground.
	AD0IN0 -AD0IN15 AD1IN0 -AD1IN15	Analog input	Input	16-channel analog input pins for the A-D0 converter in the first block. 16-channel analog input pins for the A-D1 converter in the second block.
	VREF0, VREF1	Reference voltage input	Input	VREF0 and VREF1 are the reference voltage input pin for the A-D0 converter and A-D1 converter, respectively.
Interrupt controller	SBI#	System break interrupt	Input	System break interrupt (SBI) input pin of the interrupt controller
Serial I/O	SCLKI0/ SCLKO0	UART transmit/receive clock output or CSIO transmit/receive clock input/output	Input/output	When Channel 0 is in UART mode: Clock output derived from BRG output by dividing it by 2 When Channel 0 is in CSIO mode: Transmit/receive clock input when external clock is selected Transmit/receive clock output when internal clock is selected
	SCLKI1/ SCLKO1	UART transmit/receive clock output or CSIO transmit/receive clock input/output	Input/output	When Channel 1 is in UART mode: Clock output derived from BRG output by dividing it by 2 When Channel 1 is in CSIO mode: Transmit/receive clock input when external clock is selected Transmit/receive clock output when internal clock is selected
	SCLKI 4/ SCLKO4	UART transmit/receive clock output or CSIO transmit/receive clock input/output	Input/output	When Channel 4 is in UART mode: Clock output derived from BRG output by dividing it by 2 When Channel 4 is in CSIO mode: Transmit/receive clock input when external clock is selected Transmit/receive clock output when internal clock is selected
	SCLKI5/ SCLKO5	UART transmit/receive clock output or CSIO transmit/receive clock input/output	Input/output	When Channel 5 is in UART mode: Clock output derived from BRG output by dividing it by 2 When Channel 5 is in CSIO mode: Transmit/receive clock input when external clock is selected Transmit/receive clock output when internal clock is selected
	TXD0	Transmit data	Output	Transmit data output pin of serial I/O channel 0
	RXD0	Receive data	Input	Receive data input pin of serial I/O channel 0
	TXD1	Transmit data	Output	Transmit data output pin of serial I/O channel 1
	RXD1	Receive data	Input	Receive data input pin of serial I/O channel 1
	TXD2	Transmit data	Output	Transmit data output pin of serial I/O channel 2
	RXD2	Receive data	Input	Receive data input pin of serial I/O channel 2
TXD3	Transmit data	Output	Transmit data output pin of serial I/O channel 3	
RXD3	Receive data	Input	Receive data input pin of serial I/O channel 3	
TXD4	Transmit data	Output	Transmit data output pin of serial I/O channel 4	
RXD4	Receive data	Input	Receive data input pin of serial I/O channel 4	
TXD5	Transmit data	Output	Transmit data output pin of serial I/O channel 5	
RXD5	Receive data	Input	Receive data input pin of serial I/O channel 5	



**32180 Group****Under Development**

SINGLE-CHIP 32-BIT CMOS MICROCOMPUTER

**Table 2. Description of Pin Function (3/3)**

Type	Pin Name	Description	Input/Output	Function
Real-time Debugger	RTDXTD	Transmit data	Output	Serial data output pin of the Real-time Debugger
	RTDRXD	Receive data	Input	Serial data input pin of the Real-time Debugger
	RTDCLK	Clock input	Input	Serial data transmit/receive clock input pin of the Real-time Debugger
	RTDACK	Acknowledge	Output	This pin outputs a low pulse synchronously with the Real-time Debugger's first clock of serial data output word. The low pulse width indicates the type of the command/data the Real-time Debugger has received.
CAN	CTX0,CTX1	Transmit data	Output	Data output pin from CAN module.
	CRX0, CRX1	Receive data	Input	Data input pin to CAN module.
JTAG	JTMS	Test mode	Input	Test select input for controlling the test circuit's state transition
	JTCK	Clock	Input	Clock input to the debugger module and test circuit.
	JTRST	Test reset	Input	Test reset input for initializing the test circuit asynchronously.
	JTDO	Serial output	Output	Serial output of test instruction code or test data.
	JTDI	Serial input	Input	Serial input of test instruction code or test data.
Input/output Port (Note1)	P00-P07	Input/output port0	Input/output	Programmable input/output port.
	P10-P17	Input/output port 1	Input/output	Programmable input/output port.
	P20-P27	Input/output port 2	Input/output	Programmable input/output port.
	P30-P37	Input/output port 3	Input/output	Programmable input/output port.
	P41-P47	Input/output port 4	Input/output	Programmable input/output port.
	P61-P67	Input/output port 6	Input/output	Programmable input/output port. (However, P64 is an input-only port)
	P70-P77	Input/output port 7	Input/output	Programmable input/output port.
	P82-P87	Input/output port 8	Input/output	Programmable input/output port.
	P93-P97	Input/output port 9	Input/output	Programmable input/output port.
	P100- P107	Input/output port 10	Input/output	Programmable input/output port.
	P110- P117	Input/output port 11	Input/output	Programmable input/output port.
	P124 -P127	Input/output port 12	Input/output	Programmable input/output port.
	P130 -P137	Input/output port 13	Input/output	Programmable input/output port.
	P140 -P147	Input/output port 14	Input/output	Programmable input/output port.
	P150 -P157	Input/output port 15	Input/output	Programmable input/output port.
	P160 -P167	Input/output port 16	Input/output	Programmable input/output port.
	P172 -P177	Input/output port 17	Input/output	Programmable input/output port.
	P180 -P187	Input/output port 18	Input/output	Programmable input/output port.
	P190 -P197	Input/output port 19	Input/output	Programmable input/output port.
	P200 -P203	Input/output port 20	Input/output	Programmable input/output port.
	P210 -P217	Input/output port 21	Input/output	Programmable input/output port.
	P220 -P227	Input/output port 22	Input/output	Programmable input/output port. (However, P93, P97 is an input-only port)

Note 1: Input/output port 5 is reserved for future use.

**32180 Group****Under Development**

SINGLE-CHIP 32-BIT CMOS MICROCOMPUTER

**Outline of the CPU core**

The 32180 Group is built around the M32R RISC CPU core, and has the instruction set common to all of the M32R family microcomputers. To achieve high-precision arithmetic operation, this microcomputer additionally incorporates a fully IEEE754 compliant, single-precision FPU.

Instructions are processed in five pipelined stages consisting of instruction fetch, decode, execution, memory access, and write back. Thanks to its "out-of-order-completion" mechanism, the M32R CPU allows clock cycle to realize efficient instruction execution control.

The M32R CPU internally contains sixteen 32-bit general-purpose registers. The instruction set consists of 100 discrete instructions, which come in either 16-bit or 32-bit instruction format. Use of the 16-bit instruction format helps to reduce the program code size. Also, the availability of 32-bit instructions facilitates programming and increases the performance at the same clock speed, as compared to architectures with segmented address spaces.

**Multiply-Accumulate instructions comparable to DSP**

The M32R-FPU contains a multiplier/accumulator that can execute 32-bit x 16-bit in one cycle. Therefore, it executes a 32-bit x 32-bit integer multiplication instruction in three cycles.

Also, the M32R-FPU supports the following four sum-of-products instructions (or multiplication instructions) for DSP function use.

- (1) 16 high-order register bits x 16 high-order register bits
- (2) 16 low-order register bits x 16 low-order register bits
- (3) All 32 register bits x 16 high-order register bits
- (4) All 32 register bits x 16 low-order register bits

Furthermore, the M32R-FPU has instructions for rounding the value stored in the accumulator to 16 or 32-bit, and instructions for shifting the accumulator value to adjust digits before storing in a register. Because these instructions also can be executed in one cycle, DSP comparable data processing capability can be obtained by using them in combination with high-speed data transfer instructions such as Load & Address Update or Store & Address Update.

**FPU instructions (12 instructions)**

The M32R-FPU supports single-precision, floating-point arithmetic operations fully compliant with IEEE754 standard. More specifically, it supports all of the following five exceptions and four rounding modes. Because the general-purpose registers are used for floating-point arithmetic, data transfer overhead is reduced.

- Five exceptions (invalid operation, division by zero, overflow, underflow, and precision error)
- Four rounding modes (round toward nearest, round toward zero, round toward  $+\infty$ , round toward  $-\infty$ )

Also included are the sum-of-product (FMADD) and difference-of-product (FMSUB) instructions suitable for butterfly operation in FFT.

**Extended instructions (5 instructions)**

The M32R-FPU has several instructions implemented in it as extended instructions such as those to set, clear, and test bits, those to set and clear data in the processor status register, and those to automatically increment the address in which to store a halfword.

**Address space**

The 32180 Group's logical address is always handled in width of 32-bit, providing a linear address space of up to 4G bytes. The 32180 Group's address space is divided into the following spaces.

**User space**

A 2G-byte area from H'0000 0000 to H'7FFF FFFF is the user space. Located in this space are the user ROM area, external extended area, internal RAM area, and SFR (Special Function Register) area (internal peripheral I/O registers). Of these, the user ROM area and external extended area are located differently depending on mode settings.

**System space**

A 2G-byte area from H'8000 0000 to H'FFFF FFFF is the system area. This space is reserved for use by development tools such as an in-circuit emulator and debug monitor, and cannot be used by the user.

**Built-in flash memory and RAM**

The M32180F8VFP, M32180F8TFP Group contains 1M bytes (= 1,024K bytes) flash memory and 48K bytes RAM. The internal flash memory can be programmed while being mounted on the printed circuit board (on-board programming). Use of flash memory allows the same chip as those used in mass production to be used beginning with the development stage. This means that system development can be proceeded without having to change the printed circuit boards during the entire course, from prototype to mass production.

# 32180 Group

## Under Development

SINGLE-CHIP 32-BIT CMOS MICROCOMPUTER

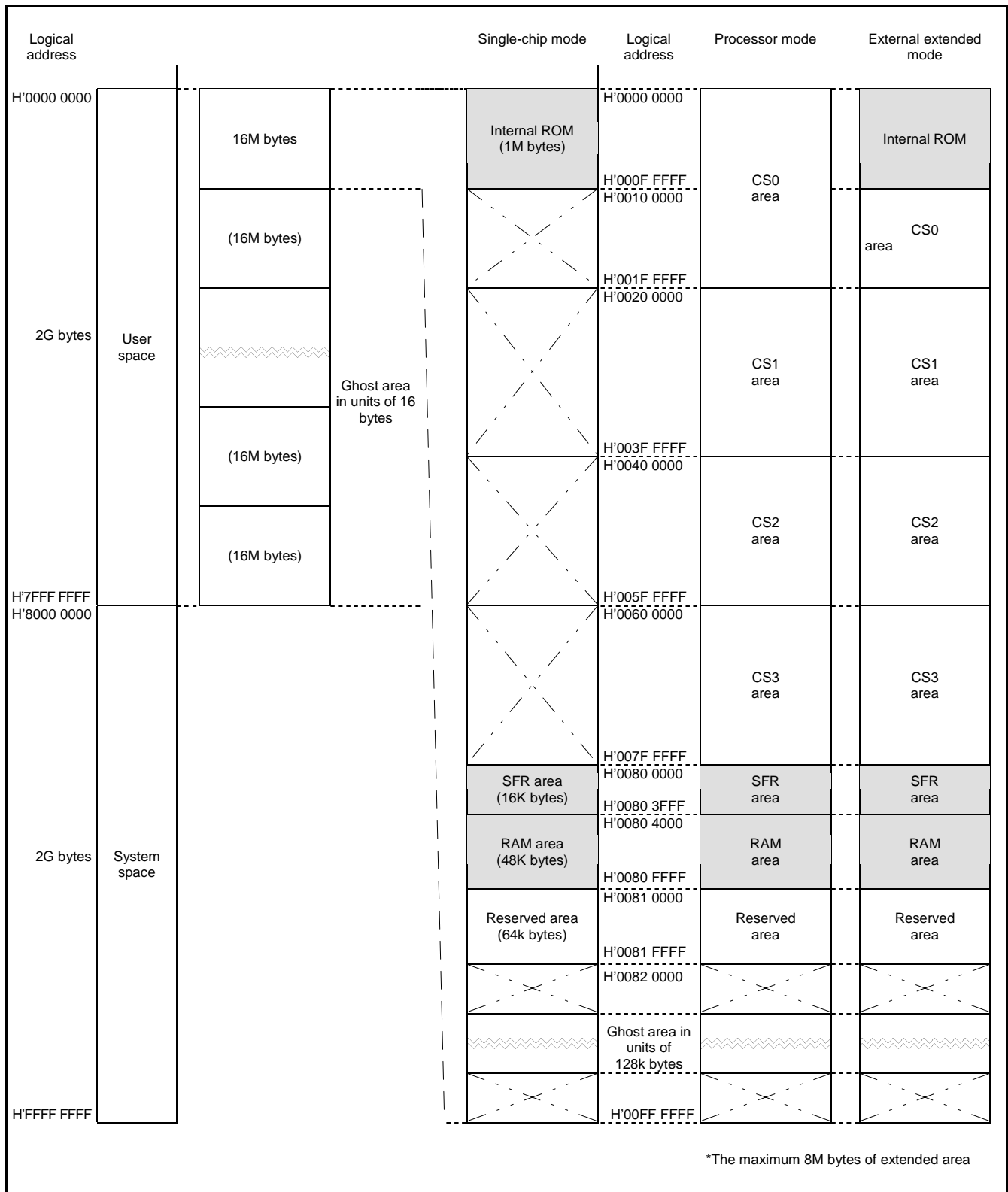


Figure 4. Address space

# 32180 Group

Under Development

SINGLE-CHIP 32-BIT CMOS MICROCOMPUTER

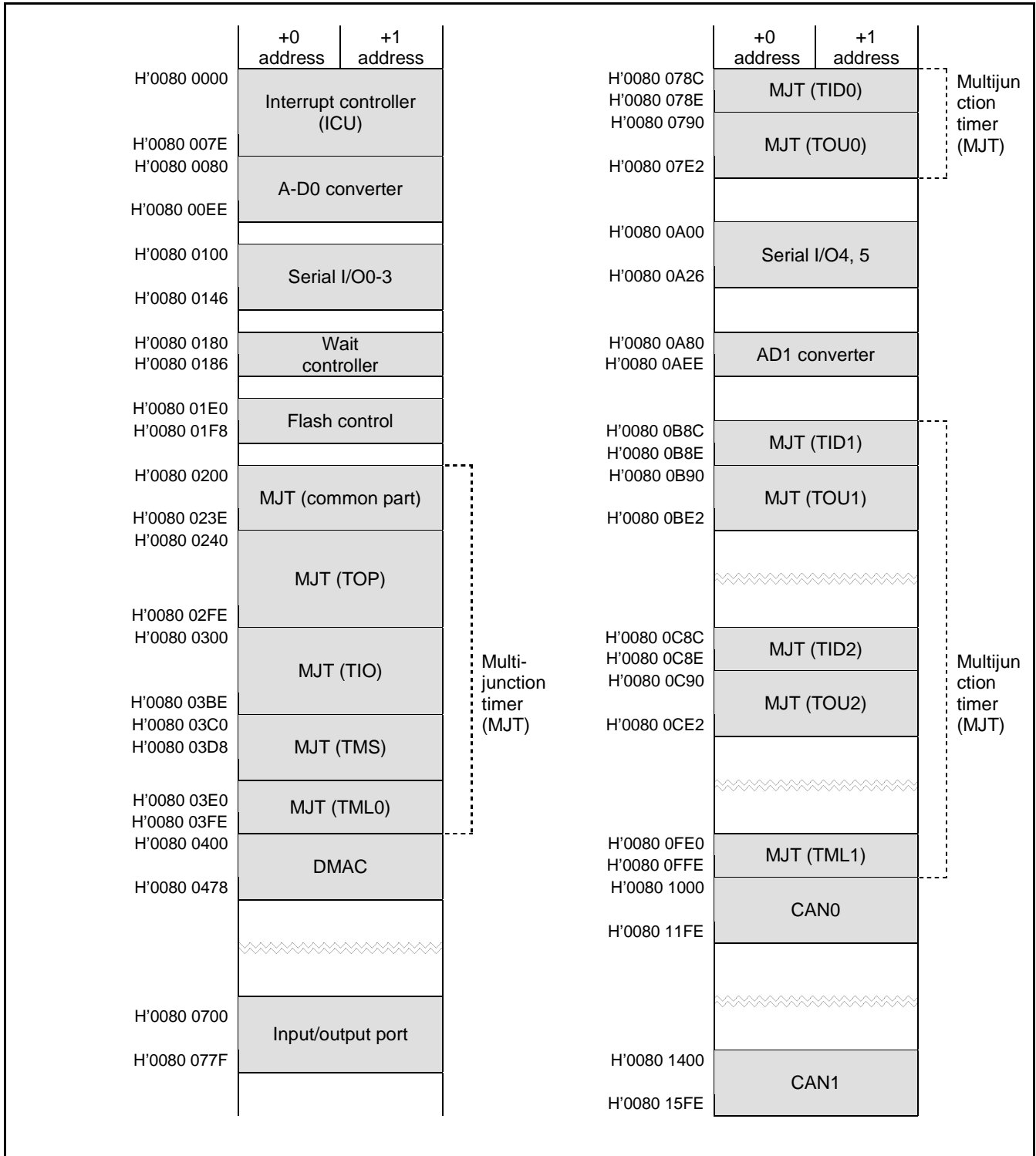


Figure 5. SFR Area

**32180 Group****Under Development**

SINGLE-CHIP 32-BIT CMOS MICROCOMPUTER

**Built-in 64-channel multijunction timers (MJT)**

The microcomputer contains a total of 64 channels of multijunction timers consisting of 11 channels of 16-bit output related timers, 10 channels of 16-bit input/output related timers, eight channels of 16-bit input related timers, eight channels of 32-bit input related timers, three channels of 16-bit input related up/down-timers, and 24 channels of 24-bit output related timers. Each timer has multiple operation modes to choose from, depending on the purposes of use.

Also, the multijunction timers internally have a clock bus, input event bus, and an output event bus, so that multiple timers can be used in combination allowing for a flexible timer configuration. The output related timers have a correcting function which allows the timer's count value to be incremented or decremented as necessary while count is in progress, making real time output control possible.

**Table 3. Outline of the MJT**

Name	Type	Number of channels	Contents
TOP (Timer Out Put)	Output related 16-bit timer (down-counter)	11	One of three output modes is selected in software. <With correcting function> • Single-shot output mode • Delayed single-shot output mode <Without correcting function> • Continuous output mode
TIO (Timer Input Output)	Input/output related 16-bit timer (down-counter)	10	One of three input modes and four output modes is selected in software. <Input mode> • Measure clear input mode • Measure free-run input mode • Noise processing input mode <Output mode without correcting function> • PWM output mode • Single-shot output mode • Delayed single-shot output mode • Continuous output mode
TMS (Timer Measure Small)	Input related 16-bit timer (up-counter)	8	16-bit input measure timer.
TML (Timer Measure Large)	32-bit timer (up-counter)	8	32-bit input measure timer.
TID (Timer Input Derivation)	Input related 16-bit timer (up/down-counter)	3	One of three input modes is selected in software. • Fixed period mode • Event count mode • Up/down event count mode • Multiply-by-4 event count mode
TOU (Timer Output Unification)	Output related 24-bit timer (down-counter)	24	One of five output modes is selected in software. <Without correcting function> • PWM output mode (Note1) • Single-shot PWM mode (Note1) • Delayed one-shot output mode • Single-shot output mode • Continuous output mode Note 1: During PWM and one-shot PWM modes • Functions as a 16-bit timer

# 32180 Group

Under Development

SINGLE-CHIP 32-BIT CMOS MICROCOMPUTER

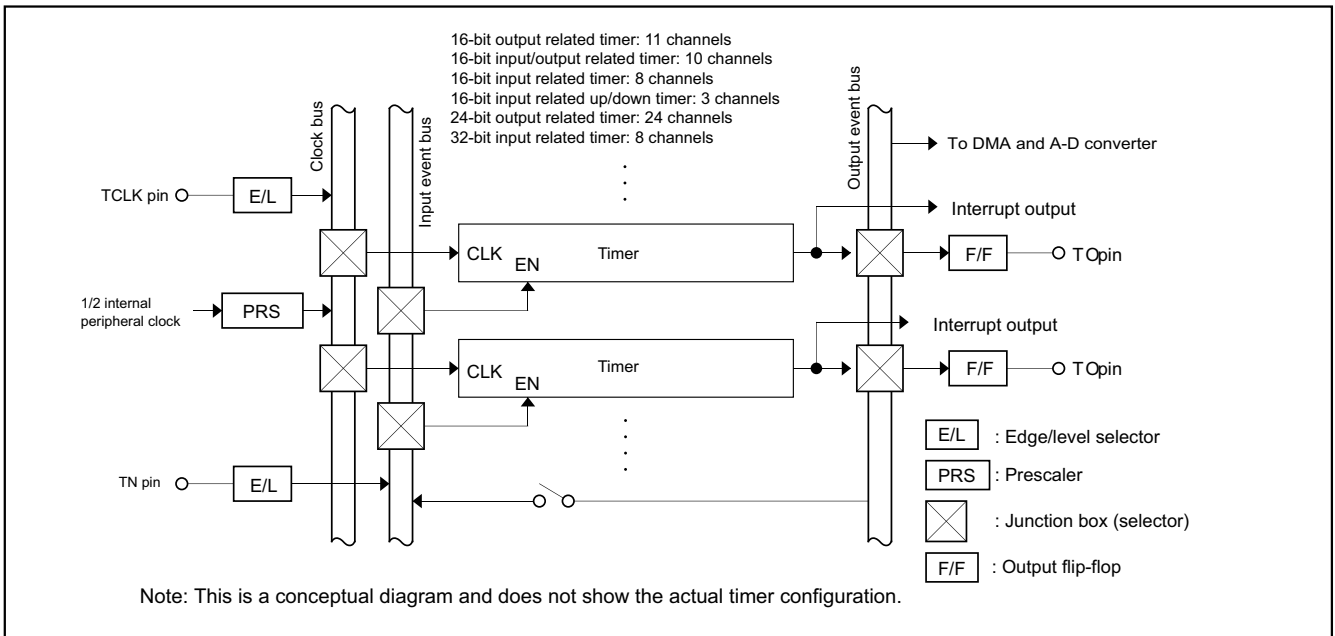


Figure 6. Conceptual Diagram of the Multijunction Timers (MJT)

# 32180 Group

## Under Development

SINGLE-CHIP 32-BIT CMOS MICROCOMPUTER

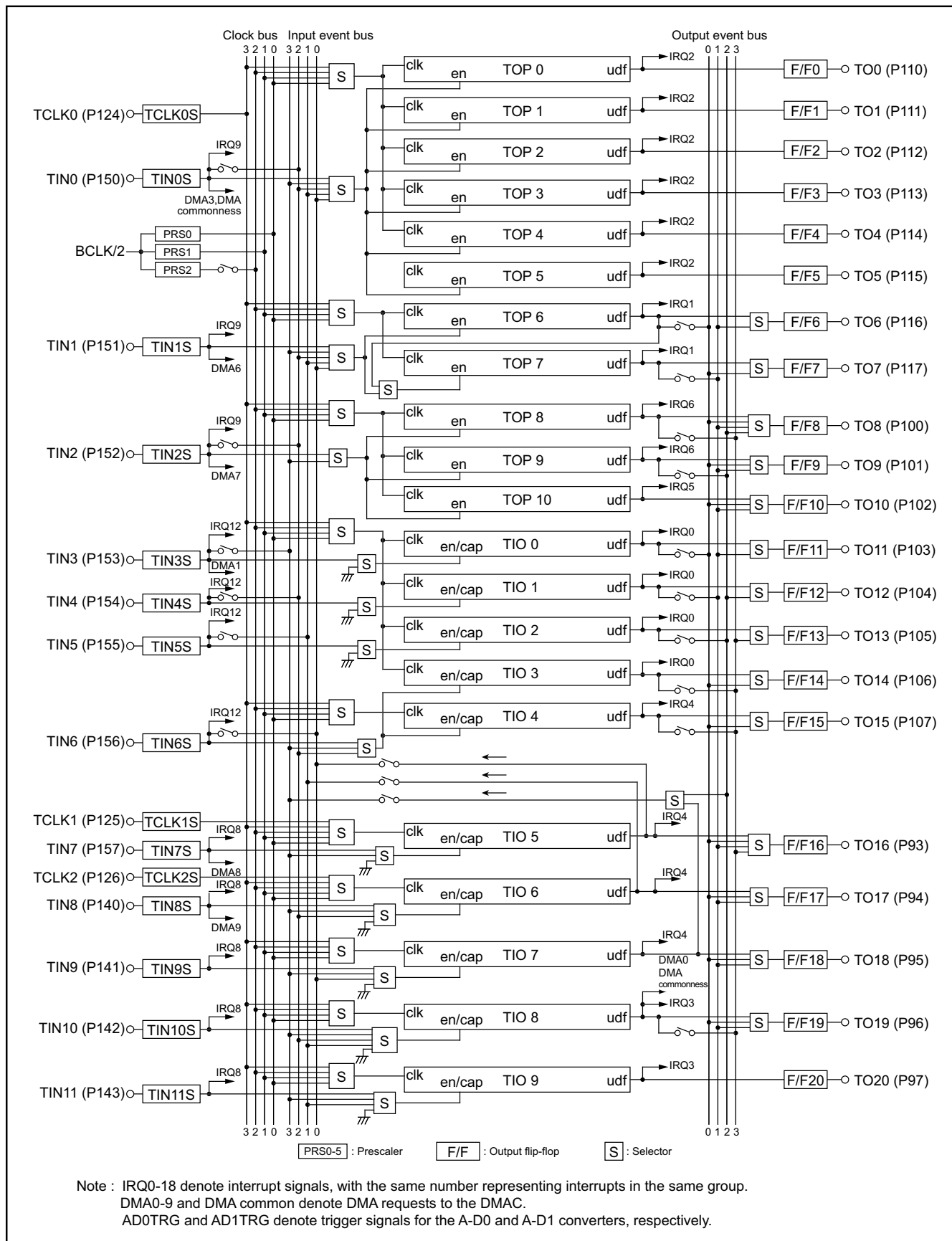


Figure 7. Block Diagram of MJT (1/4)

# 32180 Group

Under Development

SINGLE-CHIP 32-BIT CMOS MICROCOMPUTER

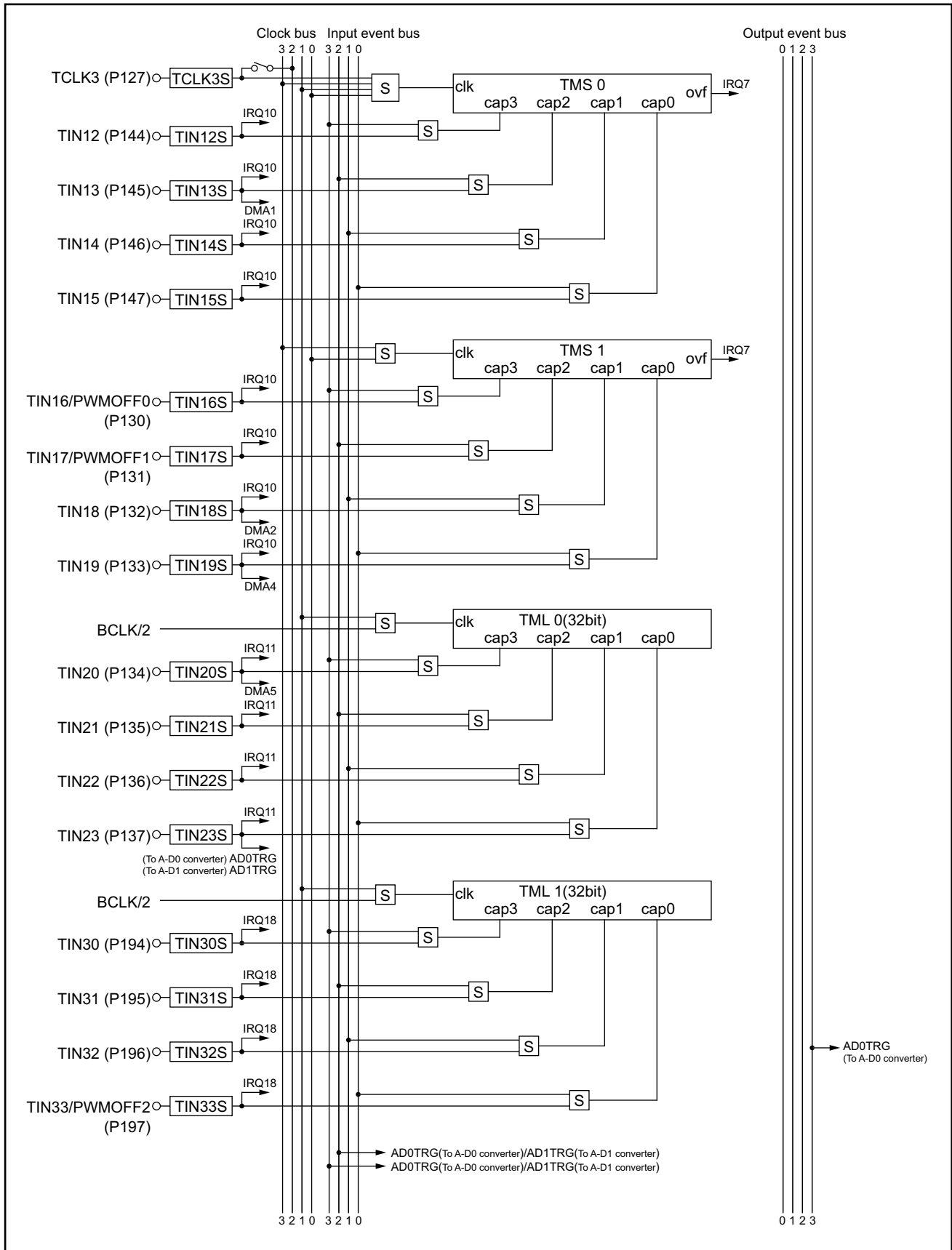


Figure 8. Block Diagram of MJT (2/4)



# 32180 Group

## Under Development

SINGLE-CHIP 32-BIT CMOS MICROCOMPUTER

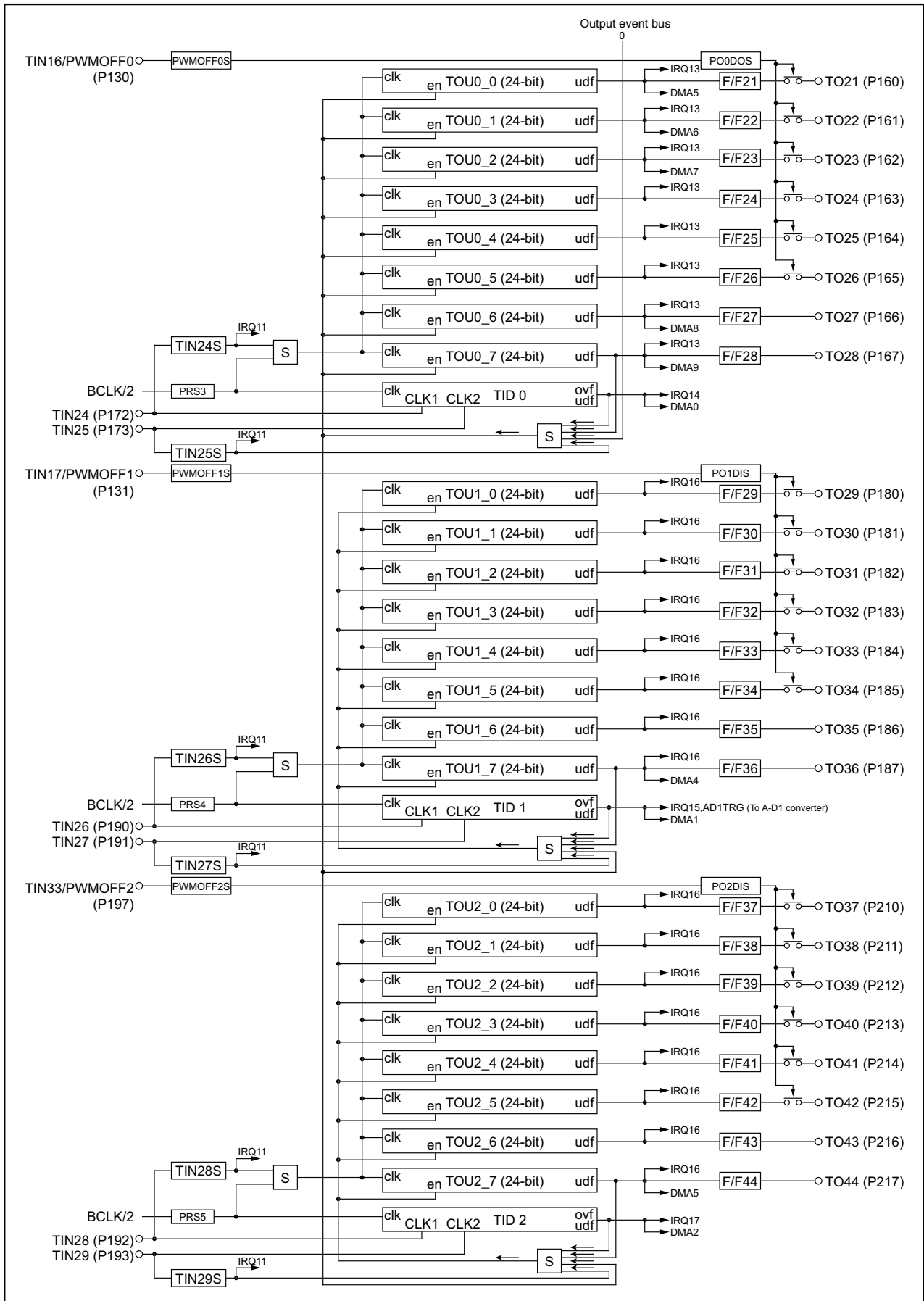


Figure 9. Block Diagram of MJT (3/4)

# 32180 Group

## Under Development

SINGLE-CHIP 32-BIT CMOS MICROCOMPUTER

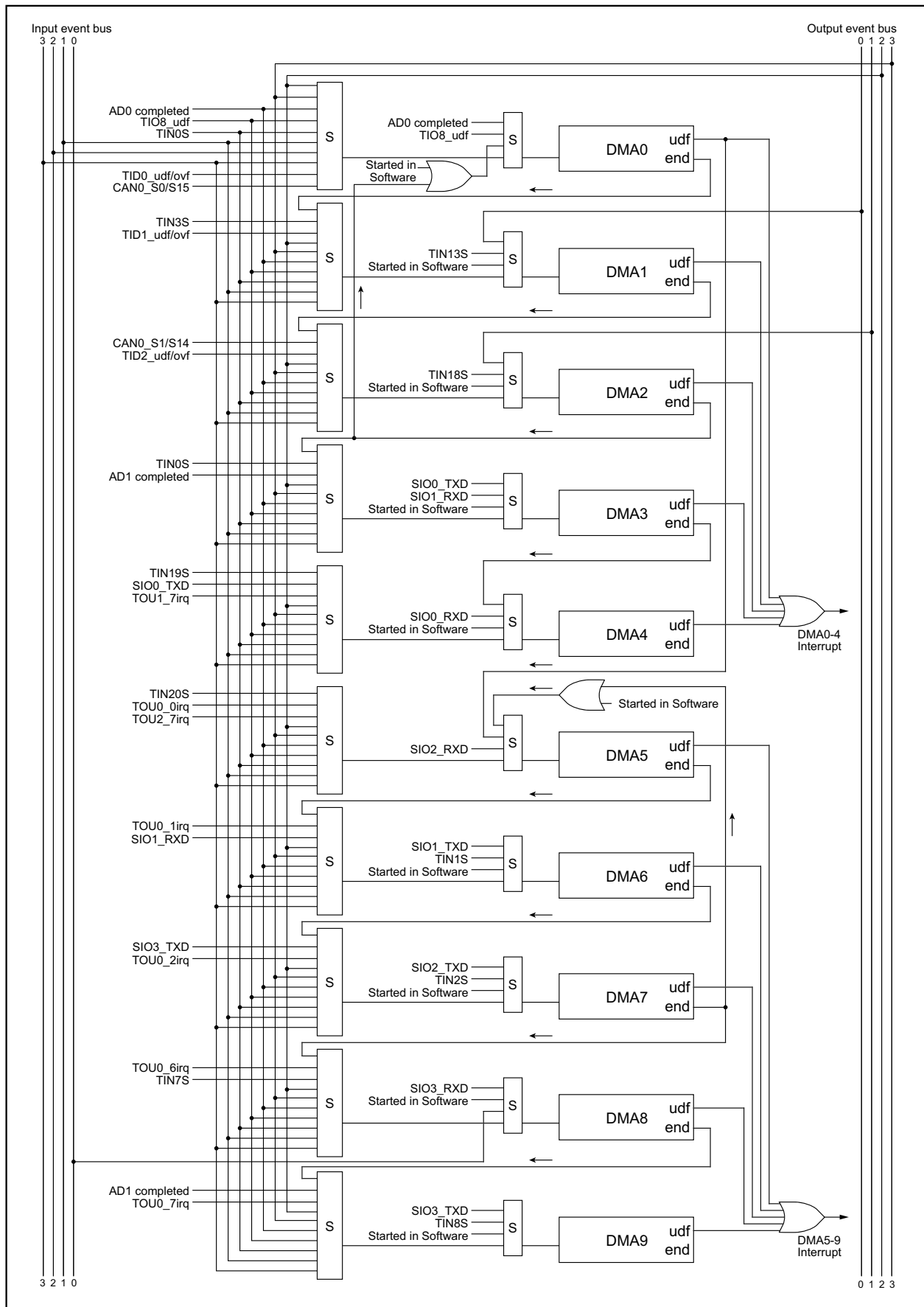


Figure 10. Block Diagram of MJT (4/4)

**32180 Group****Under Development**

SINGLE-CHIP 32-BIT CMOS MICROCOMPUTER

**Built-in 10-Channel DMAC**

The microcomputer contains 10 channels of DMAC, allowing for data transfer between internal peripheral I/Os, between internal RAM and internal peripheral I/O, and between internal RAMs.

DMA transfer requests can be issued from the user-created software, as well as can be triggered by a signal generated by the internal peripheral I/O (A-D converter, timer, or serial I/O).

The microcomputer also supports cascaded connection between DMA channels (starting DMA transfer on a channel at end of transfer on another channel). This makes advanced transfer processing possible without causing any additional CPU load.

**Table 4. Outline of the DMAC**

Item	Content
Number of channels	10 channels
Transfer request	<ul style="list-style-type: none"> <li>• Software trigger</li> <li>• Request from internal peripheral I/O: A-D converter, timer, or serial I/O (reception completed, transmit buffer empty)</li> <li>• Cascaded connection between DMA channels possible (Note1)</li> </ul>
Maximum number of times transferred	65536 times
Transferable address space	<ul style="list-style-type: none"> <li>• 64K bytes (address space from H'0080 0000 to H'0080 FFFF)</li> <li>• Transfers between internal peripheral I/Os, between internal RAM and internal peripheral IO, and between internal RAMs are supported</li> </ul>
Transfer data size	16-bit or 8-bit
Transfer method	Single transfer DMA (control of the internal bus is relinquished for each transfer performed), dual-address transfer
Transfer mode	Single transfer mode
Direction of transfer	One of three modes can be selected for the source and destination of transfer: <ul style="list-style-type: none"> <li>• Address fixed</li> <li>• Address increment</li> <li>• 32-channel ring buffer</li> </ul>
Channel priority	Channel 0 > channel 1 > channel 2 > channel 3 > channel 4 > channel 5 > channel 6 > channel 7 > channel 8 > channel 9 (Fixed priority)
Maximum transfer rate	13.3M bytes per second (when internal peripheral clock = 20 MHz)
Interrupt request	Group interrupt request can be generated when each transfer count register underflows

Note 1: The following DMA channels can be cascaded.

DMA transfer on channel 1 started at end of one DMA transfer on channel 0

DMA transfer on channel 5 started at completion of all DMA transfers on channel 0 (transfer count register underflow)

DMA transfer on channel 2 started at end of one DMA transfer on channel 1

DMA transfer on channel 0 started at end of one DMA transfer on channel 2

DMA transfer on channel 3 started at end of one DMA transfer on channel 2

DMA transfer on channel 4 started at end of one DMA transfer on channel 3

DMA transfer on channel 6 started at end of one DMA transfer on channel 5

DMA transfer on channel 7 started at end of one DMA transfer on channel 6

DMA transfer on channel 5 started at end of one DMA transfer on channel 7

DMA transfer on channel 8 started at end of one DMA transfer on channel 7

DMA transfer on channel 9 started at end of one DMA transfer on channel 8

# 32180 Group

## Under Development

SINGLE-CHIP 32-BIT CMOS MICROCOMPUTER

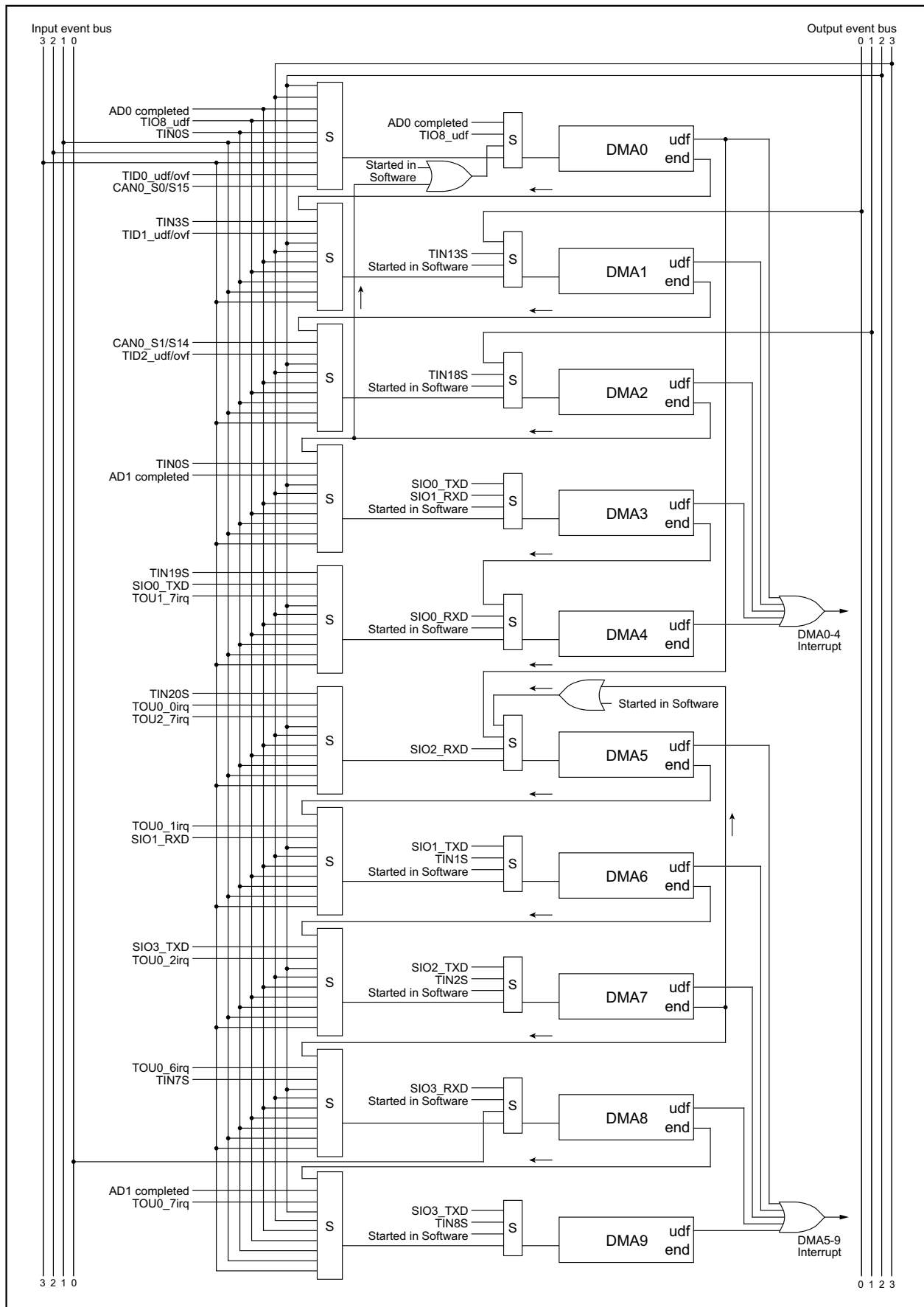


Figure 11. Block Diagram of DMAC

**32180 Group****Under Development**

SINGLE-CHIP 32-BIT CMOS MICROCOMPUTER

**Built-in Two Independent 16-channel A-D Converters**

The microcomputer contains two 16-channel A-D converters with 10-bit resolution (A-D0 converter and A-D1 converter). In addition to single conversion on each channel, continuous A-D conversion on a combined group of N (N = 1–16) channels is possible. The A-D converted value can be read out in either 10-bit or 8-bit.

In addition to ordinary A-D conversion, the converters support comparator mode in which the set value and A-D converted value are compared to determine which is larger or smaller than the other.

Moreover, there is also sample & hold mode, input voltage is sampled, when A-D conversion is started, and the A-D conversion of the sampling voltage is carried out.

Since there is no invalid domain near [which becomes a problem by the external operational amplifier etc.] VCCE/VSS, conversion by the full range is possible in this Sample & hold circuit.

When A-D conversion is finished, the converters can generate a DMA transfer request, as well as an interrupt.

The A-D converters are interfaced using a dedicated power supply to allow for connections to the peripheral circuits operating with 5 V.

**Table 5. Outline of the A-D Converters**

Item	Content					
Analog input	16-channel x 2					
A-D conversion method	Successive approximation method					
Resolution	10-bit (Conversion results can be read out in either 10 or 8-bit)					
Absolute accuracy (conditions: Ta = 25°C, AVCC0, 1 = VREF0, 1 = 5.12 V)	During low speed mode: Normal mode: $\pm 2$ LSB, double speed mode: $\pm 2$ LSB (Note1) During high speed mode: Normal mode: $\pm 3$ LSB, double speed mode: $\pm 3$ LSB (Note1)					
Conversion mode	A-D conversion mode, comparator mode					
Operation mode	Single mode, scan mode					
Scan mode	Single -shot scan mode, continuous scan mode					
Special mode	Single mode forcible execution under scan mode operation, scan mode start after the single mode execution, conversion re-start					
Sample & hold mode	Input voltage is sampled when A-D conversion is started, and it is A-D conversion about sampling voltage.					
Conversion start trigger	Software start	Started by setting A-D conversion start bit to 1				
	Hardware start	A-D0 conversion start sources: MJT input event bus 2, MJT input event bus 3, MJT output event bus 3, and TIN23 A-D1 converter start sources: MJT input event bus 2, MJT input event bus 3, and TID1_ovf / udf / TIN23S				
Conversion BCLK : Internal peripheral clock	During single mode • At the time of sample & hold invalid • At the time of normal sample & hold effective	Low-speed Mode	Normal	299BCLK	14.95 $\mu$ s (Note2)	
			Double speed	173BCLK	8.65 $\mu$ s	
		High-speed Mode	Normal	131BCLK	6.55 $\mu$ s	
			Double speed	89BCLK	4.45 $\mu$ s	
		During single mode (Available for High-speed Sample & Hold)	Low-speed Mode	Normal	191BCLK	9.55 $\mu$ s
				Double speed	101BCLK	5.05 $\mu$ s
	High-speed Mode	Normal	95BCLK	4.75 $\mu$ s		
		Double speed	53BCLK	2.65 $\mu$ s		
	During comparator mode	Low-speed Mode	Normal	47BCLK	2.35 $\mu$ s	
			Double speed	29BCLK	1.45 $\mu$ s	
		High-speed Mode	Normal	23BCLK	1.15 $\mu$ s	
			Double speed	17BCLK	0.85 $\mu$ s	
Interrupt request generation	When A-D conversion is finished, when compare operation is finished When single-shot scan is finished, or when one cycle of continuous scan is finished					
DMA transfer request generation	When A-D conversion is finished, when compare operation is finished When single-shot scan is finished, or when one cycle of continuous scan is finished					

Note 1: The performance is the same during sample & hold mode.

Note 2: Internal peripheral clock (BCLK) = o'clock (1BCLK=50ns) of 20MHz conversion time

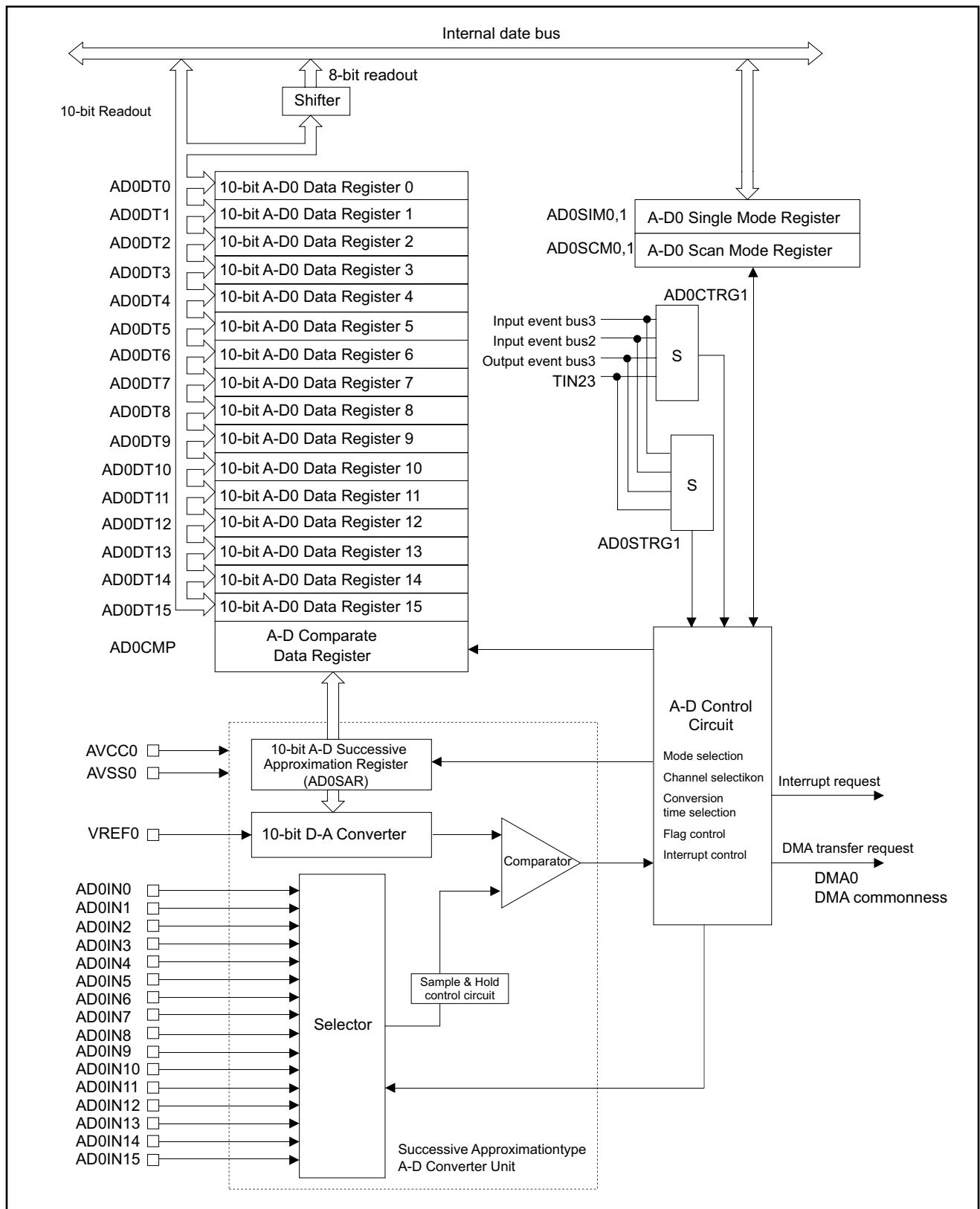


Figure 12. Block Diagram of the A-D0 Converter

# 32180 Group

Under Development

SINGLE-CHIP 32-BIT CMOS MICROCOMPUTER

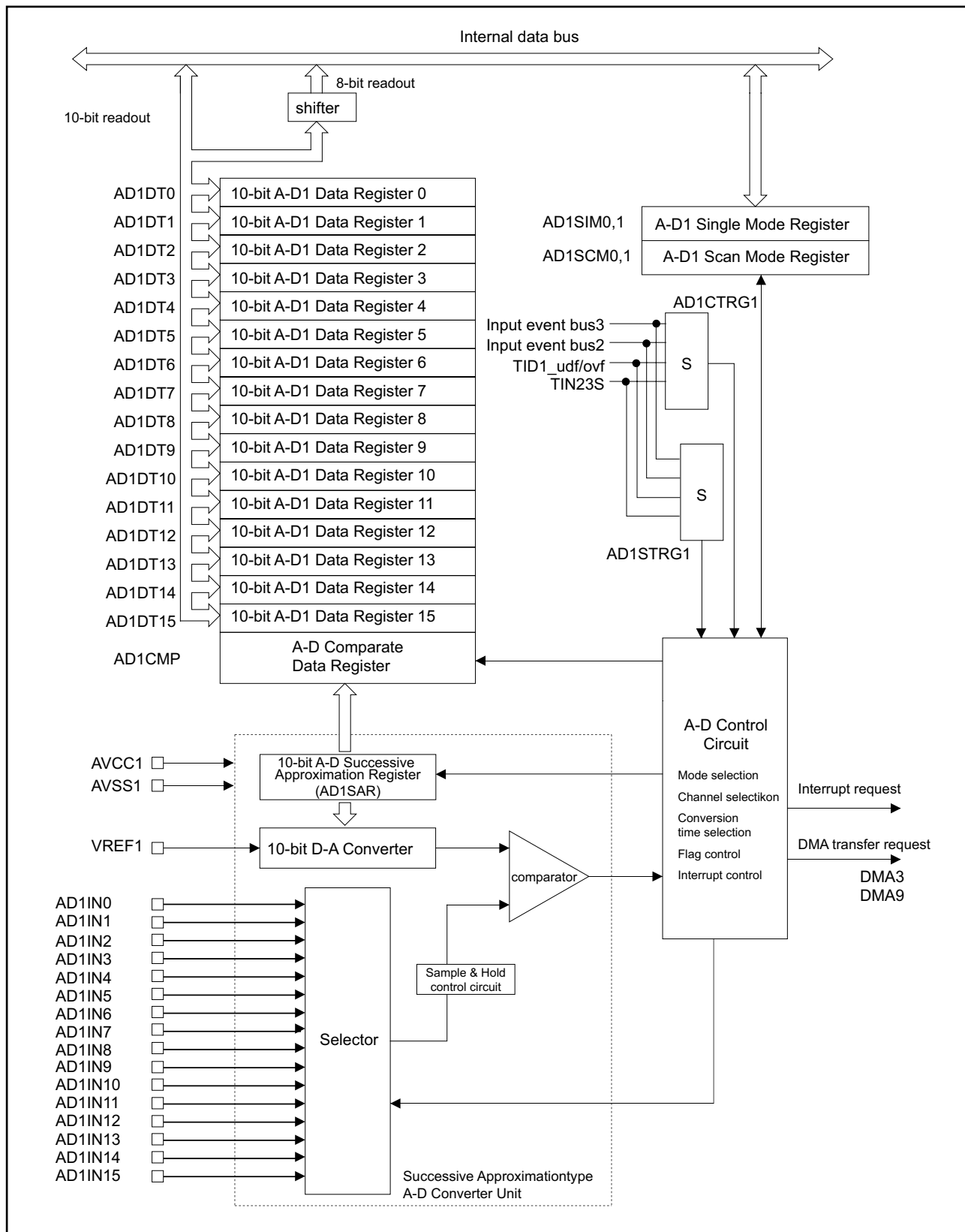


Figure 13. Block Diagram of the A-D1 Converter

**32180 Group****Under Development**

SINGLE-CHIP 32-BIT CMOS MICROCOMPUTER

**6-channel High-speed Serial I/Os**

The microcomputer contains six channels of serial I/Os consisting of four channels that can be set for CSIO mode (clock-synchronized serial I/O) or UART mode (asynchronous serial I/O) and two other channels that can only be set for UART mode.

The SIO has the function to generate a DMA transfer request when data reception is completed or the transmit register becomes empty, and is capable of high-speed serial communication without causing any additional CPU load.

**Table 6. Outline of the Serial I/O**

Item	Content
Number of channels	CSIO/UART: 4 channels (SIO0, SIO1, SIO4, SIO5) UART only : 2 channels (SIO2, SIO3)
Clock	During CSIO mode : Internal clock / external clock, selectable (Note1) During UART mode: Internal clock only
Transfer mode	Transmit half-duplex, receive half-duplex, transmit/receive full-duplex
BRG count source	f(BCLK), f(BCLK)/8, f(BCLK)/32, f(BCLK)/256 (When internal clock is selected) (Note2)
Data format	CSIO mode: Data length = Fixed to 8-bit Order of transfer = Fixed to LSB first UART mode: Start bit = 1-bit Character length = 7, 8, or 9-bit Parity bit = With or without (If included, selectable between odd and even parity) Stop bit = 1 or 2-bit Order of transfer = Fixed to LSB first
Baud rate	CSIO mode : 152-bit per second to 2M-bit per second (when operating with f(BCLK) = 20 MHz) UART mode: 19-bit per second to 156K-bit per second (when operating with f(BCLK) = 20 MHz)
Error detection	CSIO mode : Overrun error only UART mode: Overrun, parity, and framing errors (The error-sum bit indicates which error has occurred)
Fixed cycle clock output function	When SIO0, SIO1, SIO4, or SIO5 is in UART mode, this function outputs a 1/2 BRG clock from the SCLK pin.

Note 1: During CSIO mode, the maximum input frequency of an external clock is f(BCLK) divided by 16.

Note 2: When f(BCLK) is selected for the BRG count source, the BRG set value is subject to limitations.



# 32180 Group

Under Development

SINGLE-CHIP 32-BIT CMOS MICROCOMPUTER

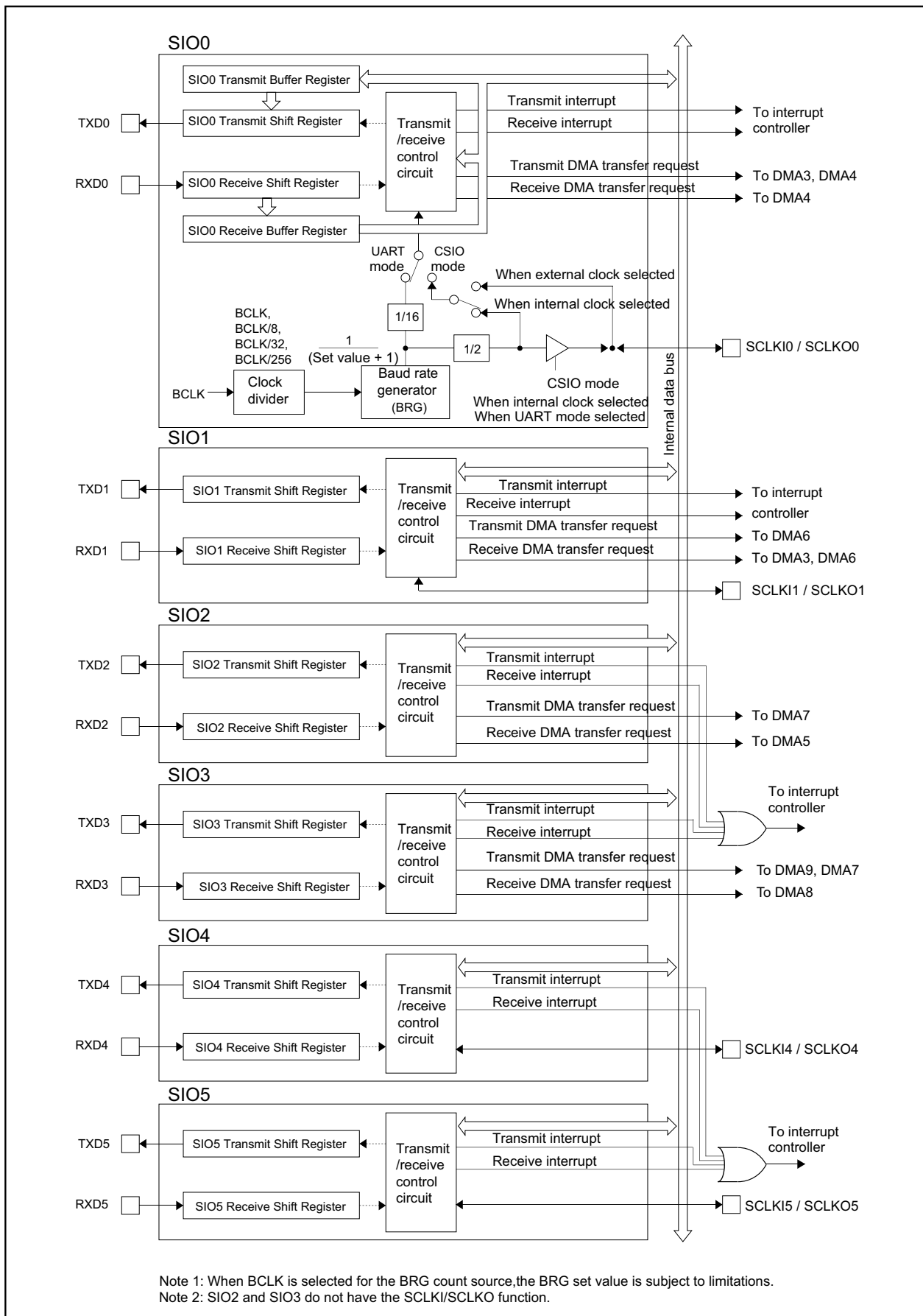


Figure 14. Block Diagram of Serial I/O

**32180 Group****Under Development**

SINGLE-CHIP 32-BIT CMOS MICROCOMPUTER

**Input/output Ports**

The microcomputer has a total of 158 input/output ports (of which P5 is reserved for future use). The input/output ports can be used as input ports or output ports by setting up their direction registers. Each input/output port is a dual-

function pin shared with other internal peripheral I/O or external extended bus signal lines. These pin functions are selected by using the chip operation mode select or the input/output port operation mode registers

**Table7. Outline of Input/output Ports**

Item	Specification
Number of Port	Total 158 ports
	P0 : P00-P07 (8 lines)
	P1 : P10-P17 (8 lines)
	P2 : P20-P27 (8 lines)
	P3 : P30-P37 (8 lines)
	P4 : P41-P47 (7 lines)
	P6 : P61-P63, P65-P67 (6 lines)
	P7 : P70-P77 (8 lines)
	P8 : P82-P87 (6 lines)
	P9 : P93-P97 (5 lines)
	P10 : P100-P107 (8 lines)
	P11 : P110-P117 (8 lines)
	P12 : P124-P127 (4 lines)
	P13 : P130-P137 (8 lines)
	P14 : P140-P147 (8 lines)
	P15 : P150-P157 (8 lines)
	P16 : P160-P167 (8 lines)
	P17 : P172-P177 (6 lines)
	P18 : P180-P187 (8 lines)
	P19 : P190-P197 (8 lines)
	P20 : P200-P203 (4 lines)
	P21 : P210-P217 (8 lines)
	P22 : P220-P227 (8 lines)
Port function	The input/output ports can be set for input or output mode bit wise by using the input/output port direction control register. (However, P221 and P223 are CAN0 input-only ports.)
Pin function	Dual-functions shared with peripheral I/O or external extended signals (or multi-functions shared with peripheral I/Os which have multiple functions)
Pin function changeover	P0-4, P224-P227 : Changed by setting CPU operation mode (MOD0 and MOD1 pins) (Note1) P6-22 : Changed by setting the input/output port operation mode register (However, peripheral I/O pin functions are selected using the peripheral I/O register.)

Note 1: When the CPU is operating in external extension mode, P0-P3, P44-P47 and P224-P227 by default are set for input/output port pins, but have their functions switched for external extension signal pins by setting the Port Operation Mode Register. When operating in single-chip or processor mode, the pin functions are switched over by setting the CPU operation mode pins as shown in Table 8.

**Three operation modes**

32180 Group has three-operation modes-single-chip mode, extended external mode, and processor mode.

Each operation mode switches over by setting the MOD0 and MOD1 pins.

**Table 8. CPU Operation Modes and P0-P4, P224-P227 Pin Functions**

MOD0	MOD1	Operation mode	P0-P3, P44-P47, P224-P227 pin function
VSS	VSS	Single-chip mode	Input/output port pin
VSS	VCCE	External extended mode	Input/output port pin or External extended signal pin
VCCE	VSS	Processor mode (FP pin = VSS)	External extended signal pin
VCCE	VCCE	Do not select	-

Note: VCC and VSS are connected to power supply and GND, respectively.

# 32180 Group

## Under Development

SINGLE-CHIP 32-BIT CMOS MICROCOMPUTER

		0	1	2	3	4	5	6	7
Settings of Chip operation mode (Note1)	P0	DB0	DB1	DB2	DB3	DB4	DB5	DB6	DB7
	P1	DB8	DB9	DB10	DB11	DB12	DB13	DB14	DB15
	P2	A23	A24	A25	A26	A27	A28	A29	A30
	P3	A15	A16	A17	A18	A19	A20	A21	A22
Reserved	P4		BLW# / BLE#	BHW# / BHE#	RD#	CS0#	CS1#	A13	A14
	P5								
Settings of input/output port Operation Mode Register	P6		(P61)	(P62)	(P63)	SBI# (Note3)	SCLKI4 / SCLKO4	SCLKI5 / SCLKO5	(P67)
	P7	BCLK / WR#	WAIT#	HREQ#	HACK#	RTDTRXD	RTDRXD	RTDACK	RTDCLK
	P8	MOD0 (Note3)	MOD1 (Note3)	TXD0	RXD0	SCLKI0 / SCLKO0	TXD1	RXD1	SCLKI1 / SCLKO1
	P9				TO16	TO17	TO18	TO19	TO20
	P10	TO8	TO9 / TXD3 (Note2)	TO10 / CTX1 (Note2)	TO11	TO12	TO13	TO14	TO15
	P11	TO0	TO1	TO2	TO3	TO4	TO5	TO6	TO7
	P12					TCLK0	TCLK1	TCLK2	TCLK3
	P13	TIN16 / PWMOFF0	TIN17 / PWMOFF1	TIN18	TIN19	TIN20	TIN21	TIN22	TIN23
	P14	TIN8	TIN9	TIN10	TIN11	TIN12	TIN13	TIN14	TIN15
	P15	TIN0	TIN1	TIN2	TIN3	TIN4	TIN5	TIN6	TIN7
	P16	TO21	TO22	TO23	TO24	TO25	TO26	TO27	TO28
	P17			TIN24	TIN25	TXD2	RXD2	TXD3	RXD3
	P18	TO29	TO30	TO31	TO32	TO33	TO34	TO35	TO36
	P19	TIN26	TIN27	TIN28	TIN29	TIN30	TIN31	TIN32	TIN33 / PWMOFF2
P20	TXD4	RXD4	TXD5	RXD5					
P21	TO37	TO38	TO39	TO40	TO41	TO42	TO43	TO44	
P22	CTX0	CRX0	CTX1	CRX1	A11 / CS2# (Note2)	A12 / CS3# (Note2)	CS2#	CS3#	

- Note 1: It changes to an external extension signal pin function at the time of processor mode.  
 At the time of external extension mode, only P41-P43 change to an external bus interface pin. Since other pins turn into an input/output ports pin at the time of reset, it is necessary to set the pin to be used as an external bus interface pin by the port operation mode register.
- Note 2: It is a triple function pin. It is necessary to set up the circumference function to output by the circumference output selection register.
- Note 3: It cannot be used as a function of an input/output ports. The input level of SBI#, MOD0, and an MOD1 pin can be read.

Figure15. Input/Output Ports and pin function Assignments

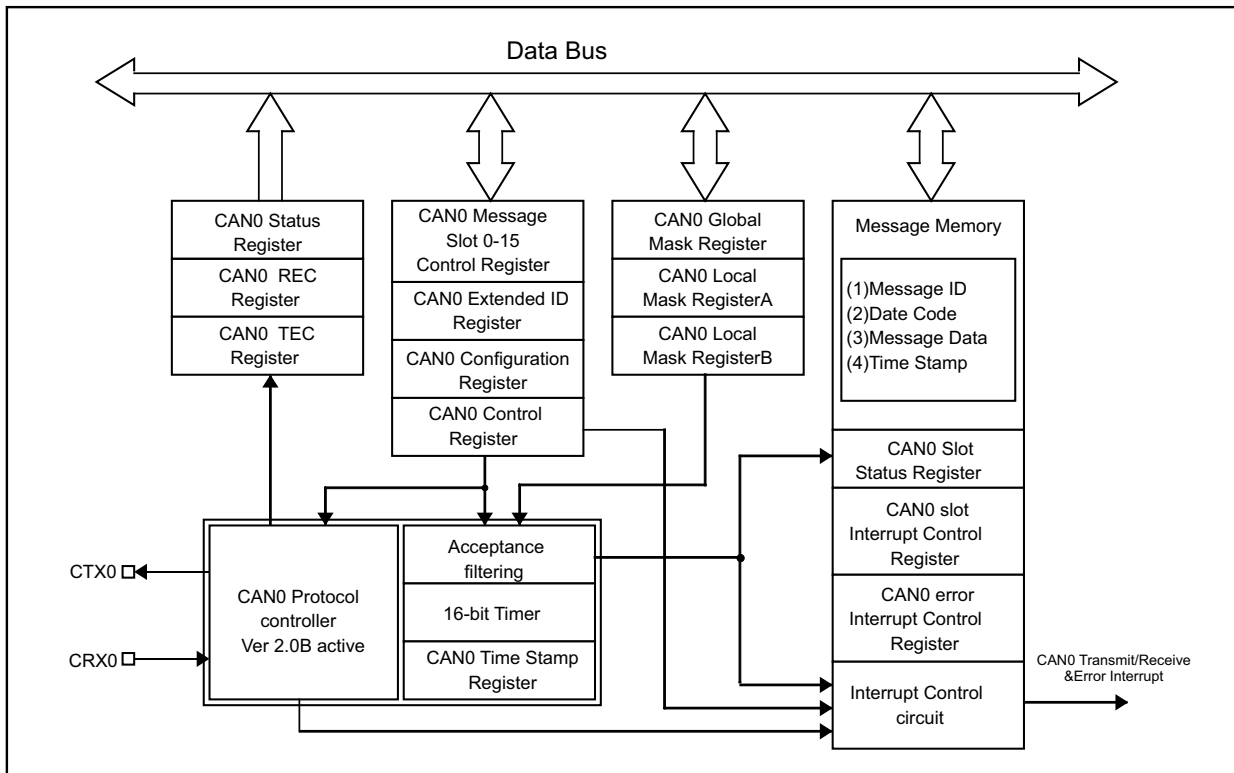
**Under Development**

SINGLE-CHIP 32-BIT CMOS MICROCOMPUTER

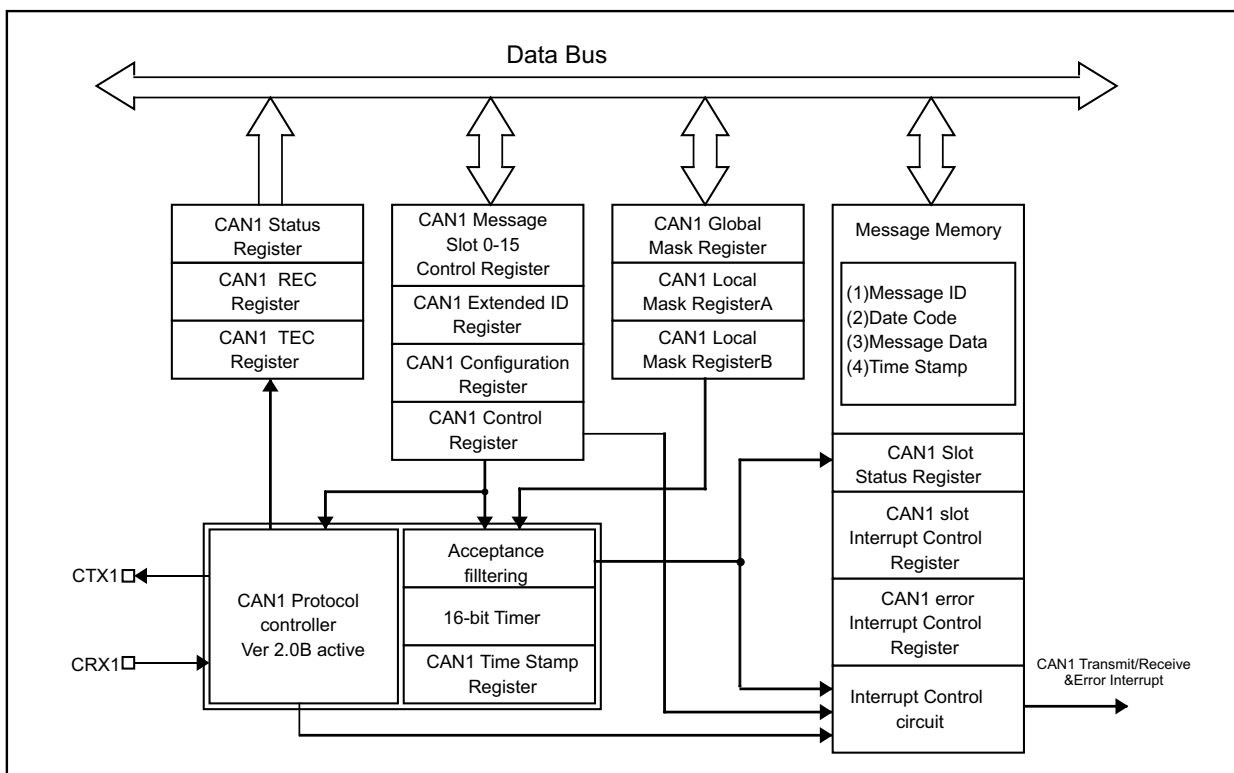
**CAN Modules**

The 32180 Group contains two blocks of Full-CAN modules compliant with CAN Specification V2.0B active.

The CAN modules each have 16 slots of Message Slot.



**Figure 16. Block Diagram of the CAN0 Module**



**Figure 17. Block Diagram of the CAN1 Module**

# 32180 Group

## Under Development

SINGLE-CHIP 32-BIT CMOS MICROCOMPUTER

### 8-level Interrupt Controller

The Interrupt Controller controls interrupt requests from each internal peripheral I/O (32 sources) by using eight priority levels assigned to each interrupt source, including interrupts prohibition. In addition to these interrupts, it handles System Break Interrupt (SBI), Reserved Instruction Exception (RIE), and Address Exception (AE) as non-maskable interrupts.

### Wait Controller

The Wait Controller supports access to external devices. For access to an external extended area of up to 8M bytes (during external extended or processor mode), the Wait Controller controls bus cycle extension by inserting zero to seven wait cycles and using external WAIT# signal input. However, as setup for lead of CS signal / lead of strobe signal / recovery / idol after lead cycle, only operation by "nothing" setup is guaranteed when 0wait is selected. Moreover, WAIT by the external WAIT input is not received when 0wait is selected.

### Built-in clock frequency multiplier

The PLL (clock frequency multiplier) multiplies the input clock frequency by 8 to generate the CPU memory clock. For the maximum CPU memory clock frequency of 80 MHz, the input clock frequency is 10.0 MHz.

### Port Input threshold level select function

The port Input threshold level select function selects the port threshold between TTL, CMOS, and Schmitt as desired. This setting is possible for each group individually.

### Realtime Debugger (RTD)

The Realtime Debugger (RTD) provides a function for accessing directly from the outside to the internal RAM. It uses a dedicated clock-synchronized serial I/O to communicate with the outside.

Use of the RTD communicating via dedicated serial lines allows the internal RAM to be read out and rewritten without having to halt the CPU. Also, it can activate an exclusive RTD interrupt through RTD communication.

### Built-in Virtual-Flash emulation function

The 1M bytes of internal flash memory can have its 4K bytes areas (total 256 banks) replaced with 4K bytes areas of the internal RAM (4K bytes x 8). Use of this function helps to make the necessary changes and evaluate the changed program during development phase without having to reset the microcomputer. Also, when combined with the real-time debugger, this function enables the data in RAM to be rewritten and read out without causing CPU load, making it possible to reduce the program evaluation period.

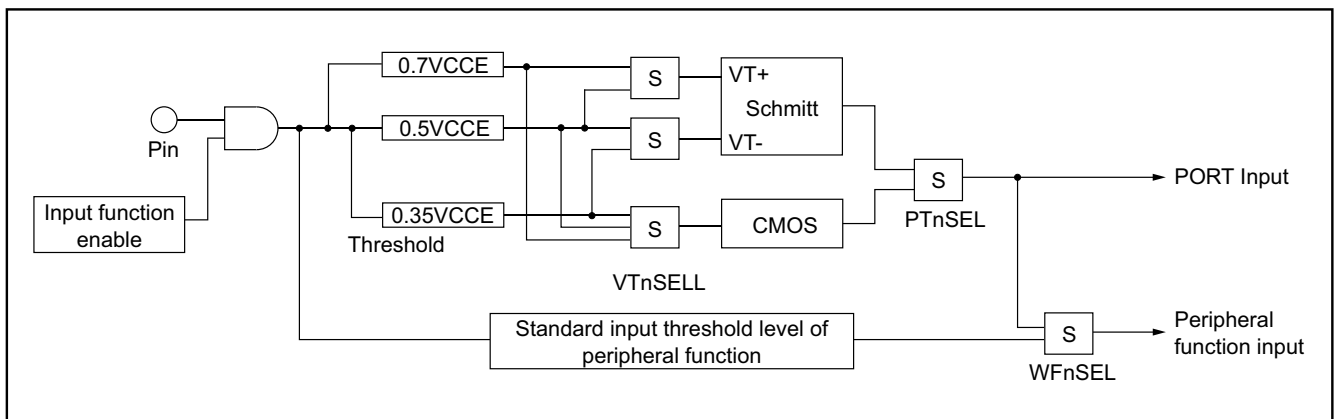


Figure 18. Port Input threshold level select function

# 32180 Group

## Under Development

SINGLE-CHIP 32-BIT CMOS MICROCOMPUTER

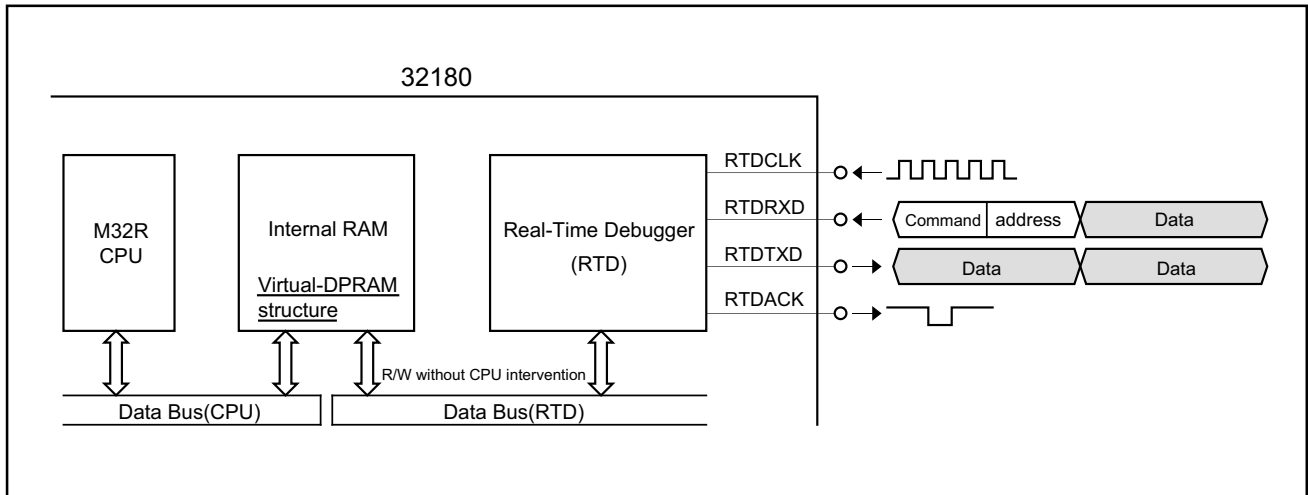


Figure 19. Conceptual Diagram of the Real-time Debugger (RTD)

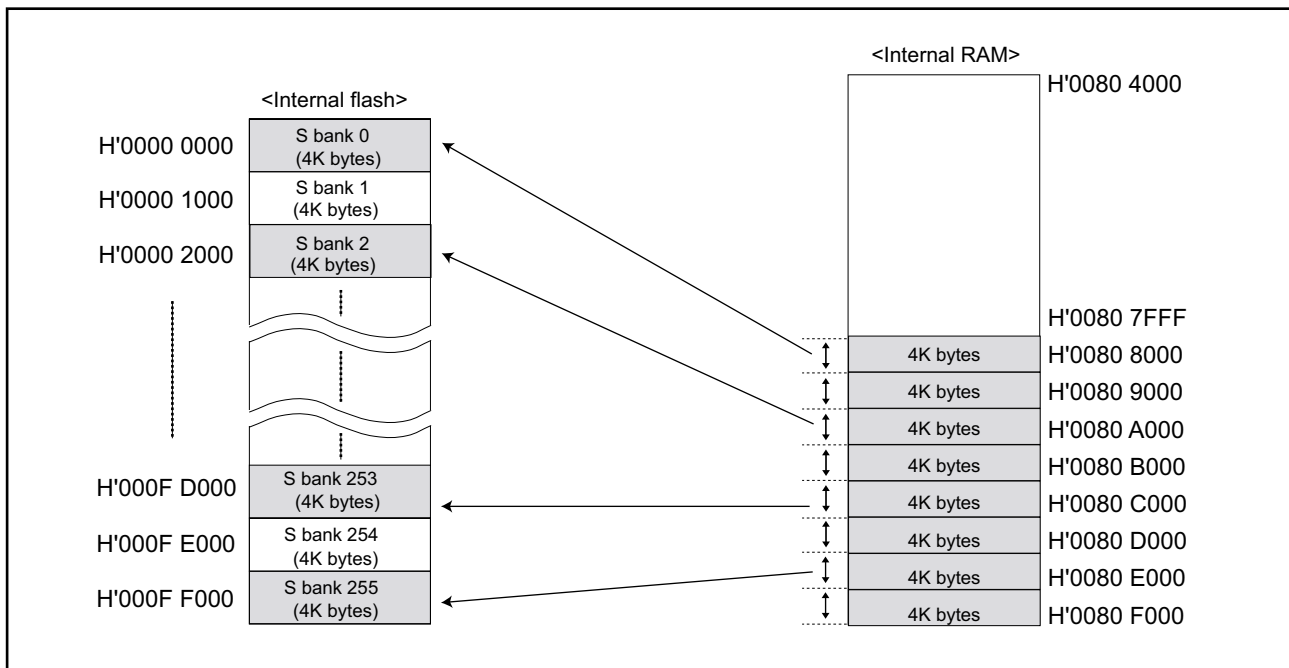


Figure 20. Conceptual Diagram of the Virtual -Flash Emulation (Units 4K bytes)

## Under Development

SINGLE-CHIP 32-BIT CMOS MICROCOMPUTER

### CPU Instruction Set

The M32R employs a RISC architecture, supporting a total of 83 discrete instructions.

#### (1) Load/store instructions

Perform data transfer between memory and registers.

LD	Load
LDB	Load byte
LDUB	Load unsigned byte
LDH	Load halfword
LDUH	Load unsigned halfword
LOCK	Load locked
ST	Store
STB	Store byte
STH	Store halfword
UNLOCK	Store unlocked

#### (2) Transfer instructions

Perform register to register transfer or register to immediate transfer.

LD24	Load 24-bit immediate
LDI	Load immediate
MV	Move register
MVFC	Move from control register
MVTC	Move to control register
SETH	Set high-order 16-bit

#### (3) Branch instructions

Used to change the program flow.

BC	Branch on C-bit
BEQ	Branch on equal
BEQZ	Branch on equal zero
BGEZ	Branch on greater than or equal zero
BGTZ	Branch on greater than zero
BL	Branch and link
BLEZ	Branch on less than or equal zero
BLTZ	Branch on less than zero
BNC	Branch on not C-bit
BNE	Branch on not equal
BNEZ	Branch on not equal zero
BRA	Branch
JL	Jump and link
JMP	Jump
NOP	No operation

#### (4) Arithmetic/logic instructions

Perform comparison, arithmetic/logic operation, multiplication/division, or shift between registers.

##### • Comparison

CMP	Compare
CMPI	Compare immediate
CMPU	Compare unsigned
CMPUI	Compare unsigned immediate

##### • Logical operation

AND	AND
AND3	AND 3-operand
NOT	Logical NOT
OR	OR
OR3	OR 3-operand
XOR	Exclusive OR
XOR3	Exclusive OR 3-operand

##### • Arithmetic operation

ADD	Add
ADD3	Add 3-operand
ADDI	Add immediate
ADDV	Add(with overflow checking)
ADDV3	Add 3-operand
ADDX	Add with carry
NEG	Negate
SUB	Subtract
SUBV	Subtract (with overflow checking)
SUBX	Subtract with borrow

##### • Multiplication/division

DIV	Divide
DIVU	Divide unsigned
MUL	Multiply
REM	Remainder
REMU	Remainder unsigned

##### • Shift

SLL	Shift left logical
SLL3	Shift left logical 3-operand
SLLI	Shift left logical immediate
SRA	Shift right arithmetic
SRA3	Shift right arithmetic 3-operand
SRAI	Shift right arithmetic immediate
SRL	Shift right logical
SRL3	Shift right logical 3-operand
SRLI	Shift right logical immediate

#### (5) Instructions for the DSP function

Perform 32-bit x 16-bit or 16-bit x 16-bit multiplication or sum-of-products calculation. These instructions also perform rounding of the accumulator data or transfer between accumulator and general-purpose register.

MACHI	Multiply-accumulate high-order halfwords
MACLO	Multiply-accumulate low-order halfwords
MACWHI	Multiply-accumulate word and high-order halfword
MACWLO	Multiply-accumulate word and low-order halfword
MULHI	Multiply high-order halfwords
MULLO	Multiply low-order halfwords
MULWHI	Multiply word and high-order halfword
MULWLO	Multiply word and low-order halfword
MVFACHI	Move from accumulator high-order word
MVFACLO	Move from accumulator low-order word
MVFACMI	Move from accumulator middle-order word
MVTACHI	Move to accumulator high-order word
MVTACLO	Move to accumulator low-order word
RAC	Round accumulator
RACH	Round accumulator halfword

#### (6) EIT related instructions

Start trap or return from EIT processing.

RTE	Return from EIT
TRAP	Trap

# 32180 Group

## Under Development

SINGLE-CHIP 32-BIT CMOS MICROCOMPUTER

### (7) Instructions for the FPU function

The microcomputer supports fully IEEE754 compliant, single-precision floating-point arithmetic.

FADD	Floating-point add
FSUB	Floating-point subtract
FMUL	Floating-point multiply
FDIV	Floating-point divide
FMADD	Floating-point multiply and add
FMSUB	Floating-point multiply and subtract
ITOF	Integer to float
UTOF	Unsigned to float
FTOI	Float to integer
FTOS	Float to short
FCMP	Floating-point compare
FCMPE	Floating-point compare with exception if unordered

### (8) Extended instructions

STH	Store halfword(@R+ addressing added)
BSET	Bit set
BCLR	Bit clear
BTST	Bit test
SETPSW	Set PSW
CLRPSW	Clear PSW

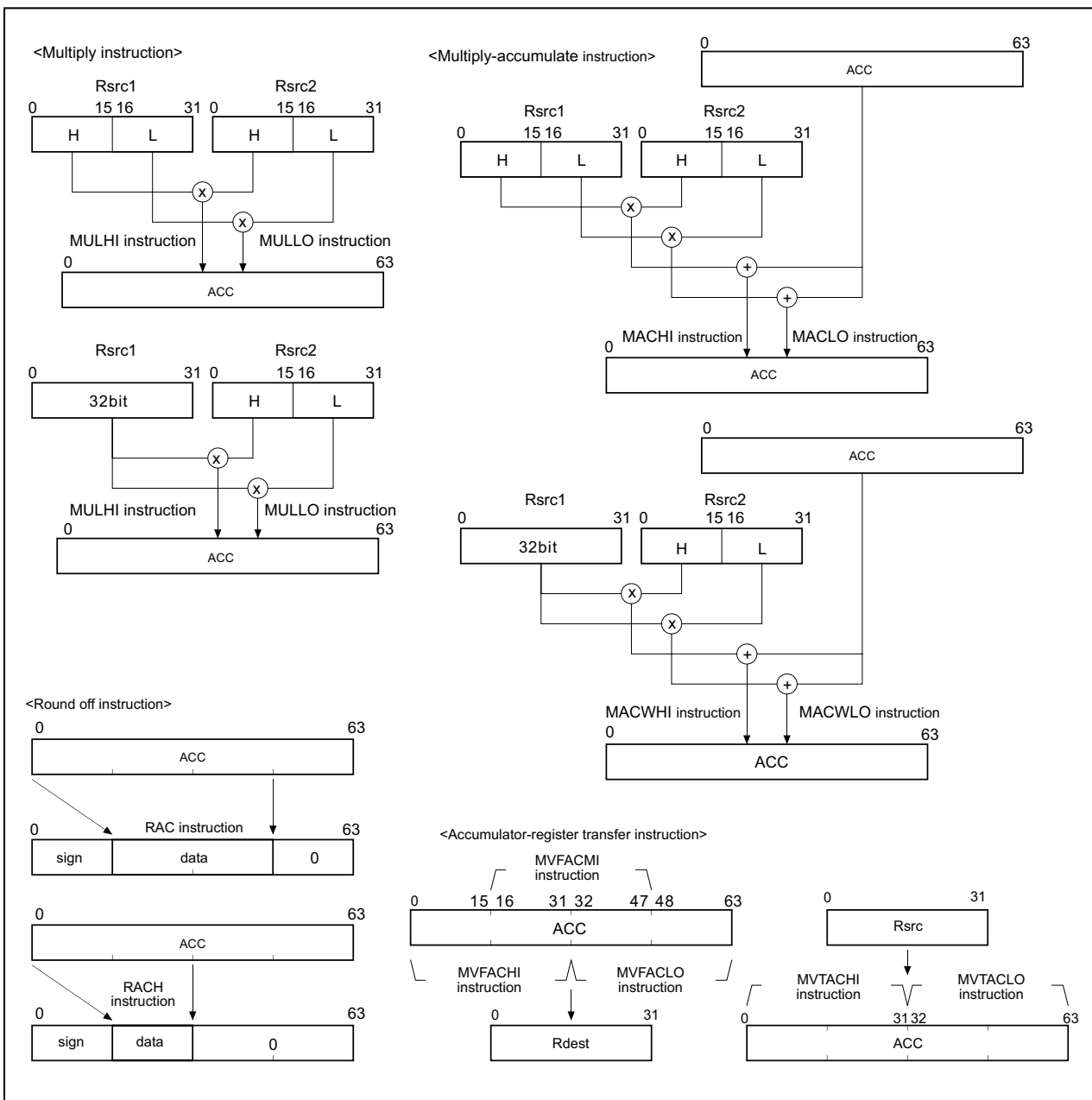


Figure 21. Instructions for the DSP Function



# 32180 Group

Under Development

SINGLE-CHIP 32-BIT CMOS MICROCOMPUTER

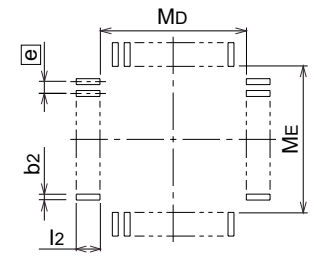
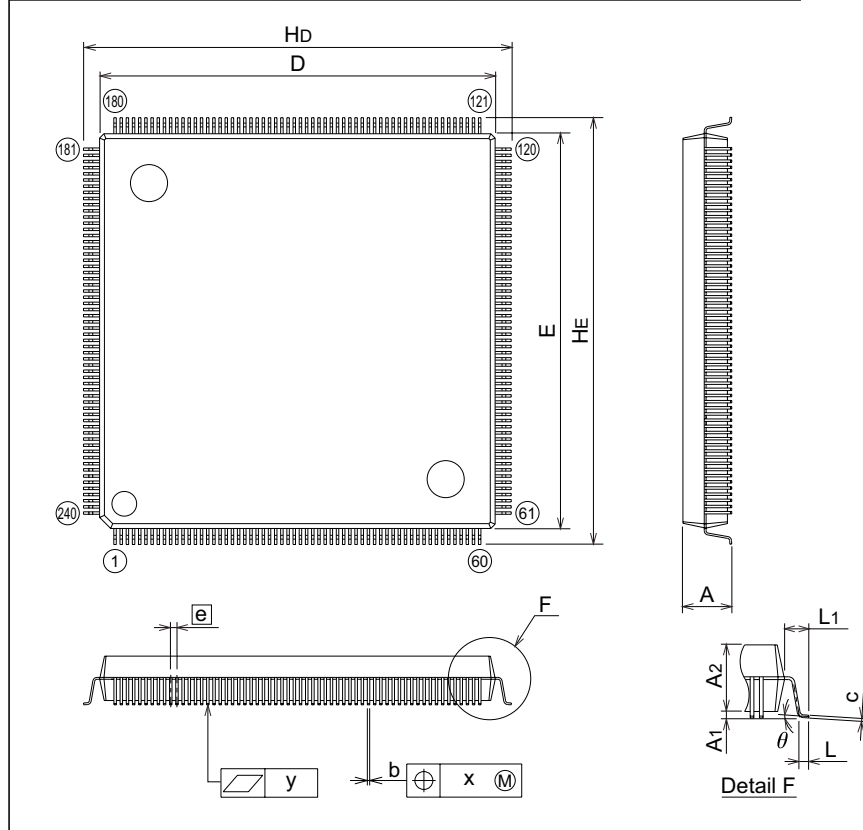
## Package Dimensions Diagram

240P6Y-A

(MMP)

Plastic 240pin 32 x 32mm body QFP

EIAJ Package Code	JEDEC Code	Weight(g)	Lead Material
QFP240-P-3232-0.50	-		Cu Alloy



Recommended Mount Pad

Symbol	Dimension in Millimeters		
	Min	Nom	Max
A	-	-	4.1
A1	0.25	0.35	0.45
A2	-	3.6	-
b	0.15	0.2	0.3
c	0.13	0.15	0.2
D	31.9	32.0	32.1
E	31.9	32.0	32.1
e	-	0.5	-
HD	34.4	34.6	34.8
HE	34.4	34.6	34.8
L	0.3	0.5	0.7
L1	-	1.3	-
x	-	-	0.08
y	-	-	0.1
θ	0°	-	10°
b2	-	0.225	-
l2	1.2	-	-
MD	-	32.6	-
ME	-	32.6	-

# Renesas Technology Corp.

Nippon Bldg.,6-2,Otemachi 2-chome,Chiyoda-ku,Tokyo,100-0004 Japan

**Keep safety first in your circuit designs!**

Mitsubishi Electric Corporation puts the maximum effort into making semiconductor products better and more reliable, but there is always the possibility that trouble may occur with them. Trouble with semiconductors may lead to personal injury, fire or property damage. Remember to give due consideration to safety when making your circuit designs, with appropriate measures such as (i) placement of substitutive, auxiliary circuits, (ii) use of non-flammable material or (iii) prevention against any malfunction or mishap.

**Notes regarding these materials**

- These materials are intended as a reference to assist our customers in the selection of the Mitsubishi semiconductor product best suited to the customer's application; they do not convey any license under any intellectual property rights, or any other rights, belonging to Mitsubishi Electric Corporation or a third party.
- Mitsubishi Electric Corporation assumes no responsibility for any damage, or infringement of any third-party's rights, originating in the use of any product data, diagrams, charts, programs, algorithms, or circuit application examples contained in these materials.
- All information contained in these materials, including product data, diagrams, charts, programs and algorithms represents information on products at the time of publication of these materials, and are subject to change by Mitsubishi Electric Corporation without notice due to product improvements or other reasons. It is therefore recommended that customers contact Mitsubishi Electric Corporation or an authorized Mitsubishi Semiconductor product distributor for the latest product information before purchasing a product listed herein.
- The information described here may contain technical inaccuracies or typographical errors. Mitsubishi Electric Corporation assumes no responsibility for any damage, liability, or other loss rising from these inaccuracies or errors.
- Please also pay attention to information published by Mitsubishi Electric Corporation by various means, including the Mitsubishi Semiconductor home page (<http://www.mitsubishichips.com>).
- When using any or all of the information contained in these materials, including product data, diagrams, charts, programs, and algorithms, please be sure to evaluate all information as a total system before making a final decision on the applicability of the information and products. Mitsubishi Electric Corporation assumes no responsibility for any damage, liability or other loss resulting from the information contained herein.
- Mitsubishi Electric Corporation semiconductors are not designed or manufactured for use in a device or system that is used under circumstances in which human life is potentially at stake. Please contact Mitsubishi Electric Corporation or an authorized Mitsubishi Semiconductor product distributor when considering the use of a product contained herein for any specific purposes, such as apparatus or systems for transportation, vehicular, medical, aerospace, nuclear, or undersea repeater use.
- The prior written approval of Mitsubishi Electric Corporation is necessary to reprint or reproduce in whole or in part these materials.
- If these products or technologies are subject to the Japanese export control restrictions, they must be exported under a license from the Japanese government and cannot be imported into a country other than the approved destination.
- Any diversion or reexport contrary to the export control laws and regulations of Japan and/or the country of destination is prohibited.
- Please contact Mitsubishi Electric Corporation or an authorized Mitsubishi Semiconductor product distributor for further details on these materials or the products contained therein.

