

PLEASE CHECK WWW.MOLEX.COM FOR LATEST PART INFORMATION

Part Number: [0039000322](#)
Status: **Active**
Overview: [standard_093](#)
Description: 2.36mm (.093") Diameter, Standard .093" Pin and Socket Crimp Terminal, Series 1433, Female, with Gold (Au) over Nickel Plated Brass Contact, 24-28 AWG, Bag

Documents:

[Drawing \(PDF\)](#) [Product Specification PS-1433-004 \(PDF\)](#)
[Product Specification PS-1433-003 \(PDF\)](#) [RoHS Certificate of Compliance \(PDF\)](#)

General

Product Family	Crimp Terminals
Series	1433
Crimp Quality Equipment	Yes
Overview	standard_093
Product Name	Standard .093"
Physical	
Gender	Female
Material - Metal	Brass
Material - Plating Mating	Unplated
Material - Plating Termination	Unplated
Packaging Type	Bag
Termination Interface: Style	Crimp or Compression
Wire Insulation Diameter	0.80-1.50mm (.031-.059")
Wire Size AWG	24, 26, 28
Wire Size mm ²	N/A

Material Info

Old Part Number 1433AGL

Reference - Drawing Numbers

Product Specification PS-1433-003, PS-1433-004
 Sales Drawing SD-1433*

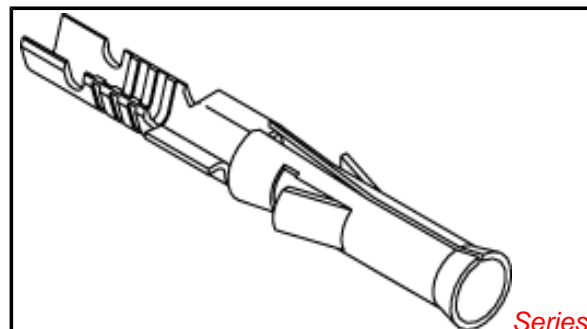


image - Reference only

EU RoHS

ELV and RoHS Compliant
REACH SVHC
Contains SVHC: No
Halogen-Free Status

China RoHS



Not Reviewed

Need more information on product environmental compliance?

Email productcompliance@molex.com
 For a multiple part number RoHS Certificate of Compliance, [click here](#)

Please visit the [Contact Us](#) section for any non-product compliance questions.

Search Parts in this Series

1433Series

Use With

[3191r](#)

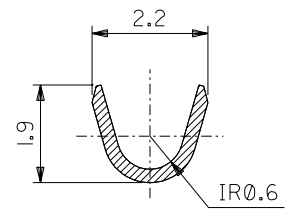
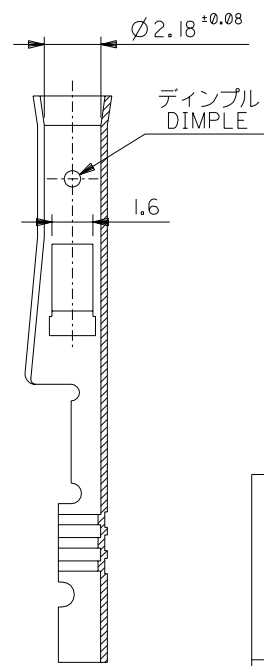
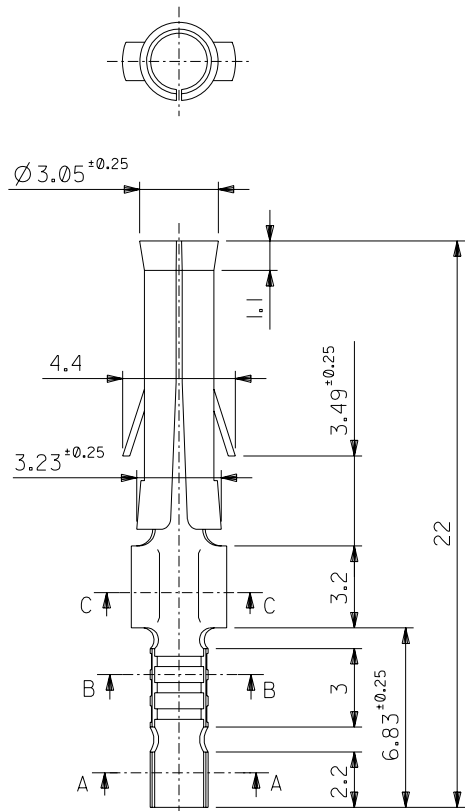
Application Tooling | FAQ

Tooling specifications and manuals are found by selecting the products below. Crimp Height Specifications are then contained in the Application Tooling Specification document.

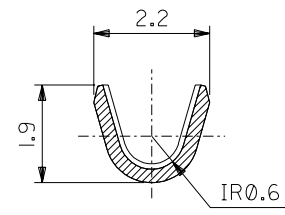
Global

Description	Product #
HAND CRIMP TOOL	0638117100
Extraction Tool	0011030006

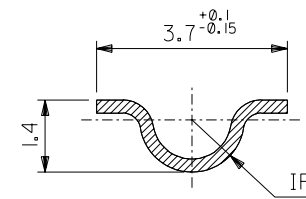
DWG. NO. SD-1433*



SECT. A-A
(SCALE 10 : 1)



SECT. B-B
(SCALE 10 : 1)



SECT. C-C
(SCALE 10 : 1)

注記 NOTES:

1. 一般公差: ±0.4
GENERAL TOLERANCES: ±0.4

ニッケル (2 μm MIN.) 下地 金 (0.35 μm MIN.) GOLD (0.35 μm MIN.) OVER NICKEL (2 μm MIN.)	無 NO	39-00-0322	1433AGL	バラ端子 LOOSE
		39-00-0321	1433AG	連鎖状端子 CHAIN
銅 (0.5 μm MIN.) 下地 錫 (0.9 μm MIN.) TIN (0.9 μm MIN.) OVER COPPER (0.5 μm MIN.)	有 YES	39-00-0320	1433GL	バラ端子 LOOSE
		39-00-0319	1433G	連鎖状端子 CHAIN
メッキ PLATING	無 NO	39-00-0318	1433ATL	バラ端子 LOOSE
		39-00-0317	1433AT	連鎖状端子 CHAIN
	有 YES	39-00-0316	1433TL	バラ端子 LOOSE
		39-00-0315	1433T	連鎖状端子 CHAIN
	ディンプル有無 WITH DIMPLE	EDP.NO.	ENG.NO.	形状 FORM

材料 MATERIAL	黄銅 BRASS	0.264t	molex MOLEX-JAPAN CO.,LTD. 日本モレックス株式会社
仕上げ FINISH	—		
適用電線範囲 WIRE RANGE	AWG#24-#28		TITLE 名称
被覆外径 INS. RANGE	φ0.8~1.5		.093 DIA. FEMALE TERM.
DRAWN BY '93/07/06 H.HASEGAWA	CHK'D BY '93/07/06 H.HIRAMOTO	DRG. NO.	REV
APP'D BY '93/07/06 M.FUKUSHIMA	尺 SCALE	5 : 1	DWG. NO. SD-1433*
記号 LTR	変更内容 REVISION RECORD	DR. CHK.	日付 DATE
角度 ANGLE	±30		
30 以上 OVER	±0.3		
10 以上 30 未満 OVER 30 UNDER	±0.25		
10 未満 UNDER	±0.2		
一般公差 GENERAL TOLERANCES	H	REDRAWN 再作図 (J30673)	h.h H.H
		93/07/06	