

**PLEASE CHECK WWW.MOLEX.COM FOR LATEST PART INFORMATION**

**Part Number:** **0039000329**  
**Status:** **Active**  
**Overview:** [standard .062](#)  
**Description:** 1.57mm (.062") Diameter, Standard .062" Pin and Socket Crimp Terminal, Series 1560, Male, with Gold (Au) over Nickel Plated Brass Contact, 18-24 AWG, Reel

**Documents:**

[Drawing \(PDF\)](#) [RoHS Certificate of Compliance \(PDF\)](#)  
[Product Specification PS-1625-010 \(PDF\)](#)

**General**

Product Family	Crimp Terminals
Series	<a href="#">1560</a>
Crimp Quality Equipment	Yes
Overview	<a href="#">standard .062</a>
Product Name	Standard .062"

**Physical**

Gender	Male
Material - Metal	Brass
Material - Plating Mating	Gold
Material - Plating Termination	Gold
Packaging Type	Reel
Plating min: Mating (µin)	14
Plating min: Mating (µm)	0.35
Plating min: Termination (µin)	14
Plating min: Termination (µm)	0.35
Termination Interface: Style	Crimp or Compression
Wire Insulation Diameter	1.50-3.10mm (.059-.122")
Wire Size AWG	18, 20, 22, 24
Wire Size mm <sup>2</sup>	N/A

**Electrical**

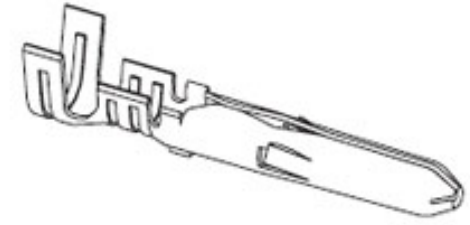
Current - Maximum per Contact	5A
Voltage - Maximum	250V

**Material Info**

Old Part Number	1560G
-----------------	-------

**Reference - Drawing Numbers**

Product Specification	PS-1625-010, RPS-1625-001
-----------------------	---------------------------



Series

image - Reference only

**EU RoHS**

**ELV and RoHS  
Compliant**  
**REACH SVHC  
Contains SVHC: No**  
**Halogen-Free  
Status  
Not Reviewed**

**China RoHS**



**Need more information on product  
environmental compliance?**

Email [productcompliance@molex.com](mailto:productcompliance@molex.com)  
For a multiple part number RoHS Certificate of Compliance, [click here](#)

Please visit the [Contact Us](#) section for any non-product compliance questions.

**Search Parts in this Series**

[1560Series](#)

**Use With**

[1625 housing](#)

**Application Tooling | FAQ**

*Tooling specifications and manuals are found by selecting the products below. Crimp Height Specifications are then contained in the Application Tooling Specification document.*

**Global**

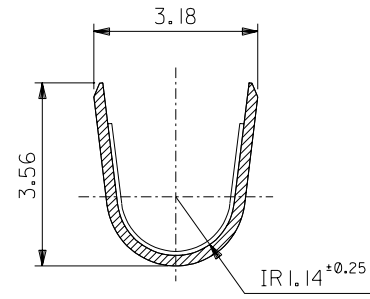
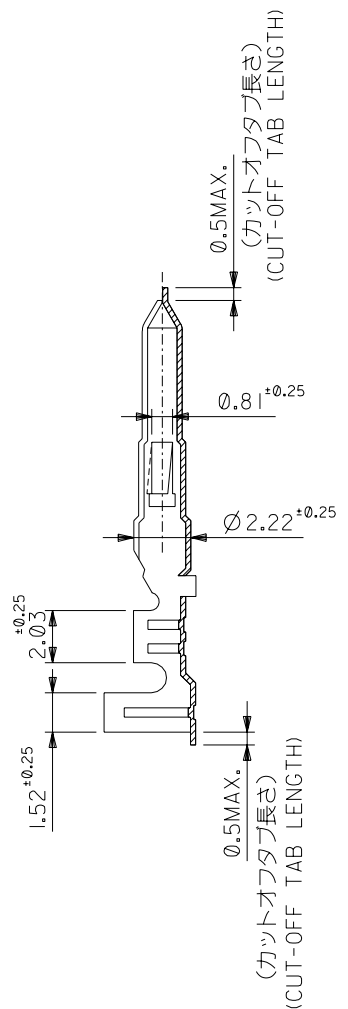
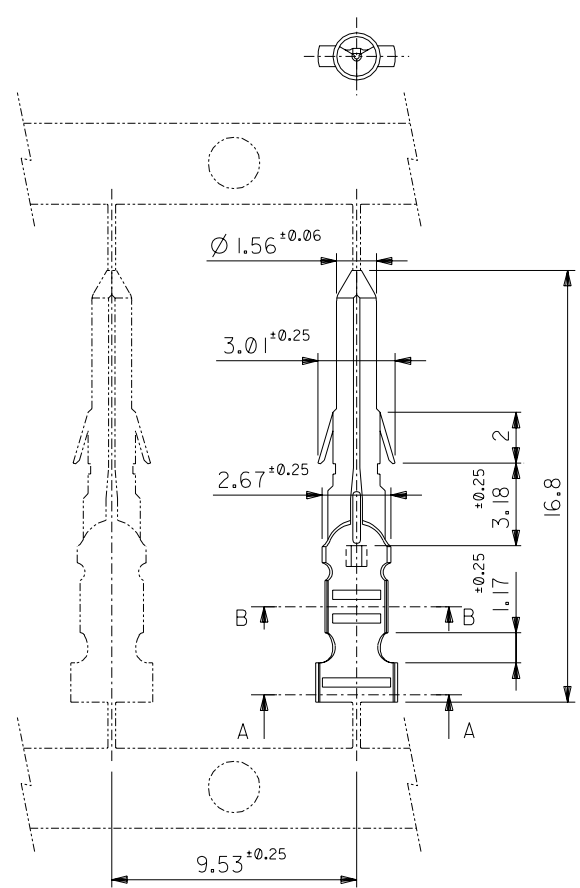
Description	Product #
Mini-Mac™ Applicator	<a href="#">0638914000</a>
Hand Crimp Tool for Standard .062" Pin and Socket Crimp Terminals, 18-24 AWG	<a href="#">0638191300</a>
Manual Extraction Tool	<a href="#">0011030002</a>

**Japan**

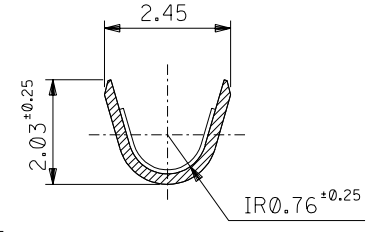
<b>Description</b>	<b>Product #</b>
Hand Insertion Tool	0011020001
Applicator for M211A	0011260072
Bench Press, 18-28 AWG, for 1560 and 1561 Crimp Terminal	
Hand Extraction Tool	0011267034

This document was generated on 05/19/2010

**PLEASE CHECK [WWW.MOLEX.COM](http://WWW.MOLEX.COM) FOR LATEST PART INFORMATION**



SECT. A-A  
(SCALE 10 : 1)



SECT. B-B  
(SCALE 10 : 1)

注記 NOTES:  
1. 一般公差 : ±0.4  
GENERAL TOLERANCES: ±0.4

ニッケル (2 μm MIN.) 下地 金 (0.35 μm MIN.) GOLD (0.35 μm MIN.) OVER NICKEL (2 μm MIN.)	39-00-0330	1560GL	バラ端子 LOOSE
銅 (0.5 μm MIN.) 下地 錫 (0.9 μm MIN.) TIN (0.9 μm MIN.) OVER COPPER (0.5 μm MIN.)	39-00-0329	1560G	連鎖状端子 CHAIN
メッキ PLATING	39-00-0327	1560TL	バラ端子 LOOSE
	39-00-0278	1560T	連鎖状端子 CHAIN
	EDP.NO.	ENG.NO.	形状 FORM

角度 ANGLE	±30					材料 MATERIAL 黄銅 BRASS 0.2 t	molex MOLEX-JAPAN CO.,LTD. 日本モレックス株式会社
30 以上 OVER	±0.3					仕上げ FINISH	
10 以上 OVER	±0.25					適用電線範囲 WIRE RANGE AWG#18-#24	REVISE ONLY ON CAD SYSTEM
10 未満 UNDER	±0.2					被覆外径 INS. RANGE Ø 1.5~3.1	TITLE 名称 .062 DIA. CRIMP MALE TERMINAL
一般公差 GENERAL TOLERANCES		K	REDRAWN 再作図 (J30695)	h.h H.H	93/07/09	DRAWN BY:93/07/09 H.HASEGAWA CHK'D BY:93/07/09 H.HIRAMOTO	DWG. NO. SD-1560*
			変更内容 REVISION RECORD	DR. CHK.	日付 DATE	APP'D BY:93/07/09 M.FUKUSHIMA 尺度 SCALE 5 : 1	REV K