

**NEC****MOS INTEGRATED CIRCUIT****μPD76F0018**

**V850E/VANStorm™**  
**32-/16-BIT SINGLE-CHIP MICROCONTROLLER**  
**WITH CAN AND VAN INTERFACES**

**DESCRIPTION**

The V850E/VANStorm single chip microcontroller, is a member of NEC's V850 32-bit RISC family, which match the performance gains attainable with RISC-based controllers to the needs of embedded control applications. The V850 CPU offers easy pipeline handling and programming, resulting in compact code size comparable to 16-bit CISC CPUs.

The V850E/VANStorm offers an excellent combination of general purpose peripheral functions, like serial communication interfaces (UART, clocked SI), timers and measurement inputs (A/D converter), with dedicated CAN and VAN network support. To support more than one network, two VAN interfaces and one CAN interface are implemented on chip. The device offers power-saving modes to manage the power consumption effectively under varying conditions. Thus equipped, the V850E/VANStorm is ideally suited for automotive applications.

**Functions in detail are described in the following user's manuals. Be sure to read these manuals when you design your systems.**

**V850E/VANStorm User's Manual - Hardware : U14879EE1V0UM00**  
**V850E Family™ User's Manual - Architecture : U14559EJ1**

**FEATURES**

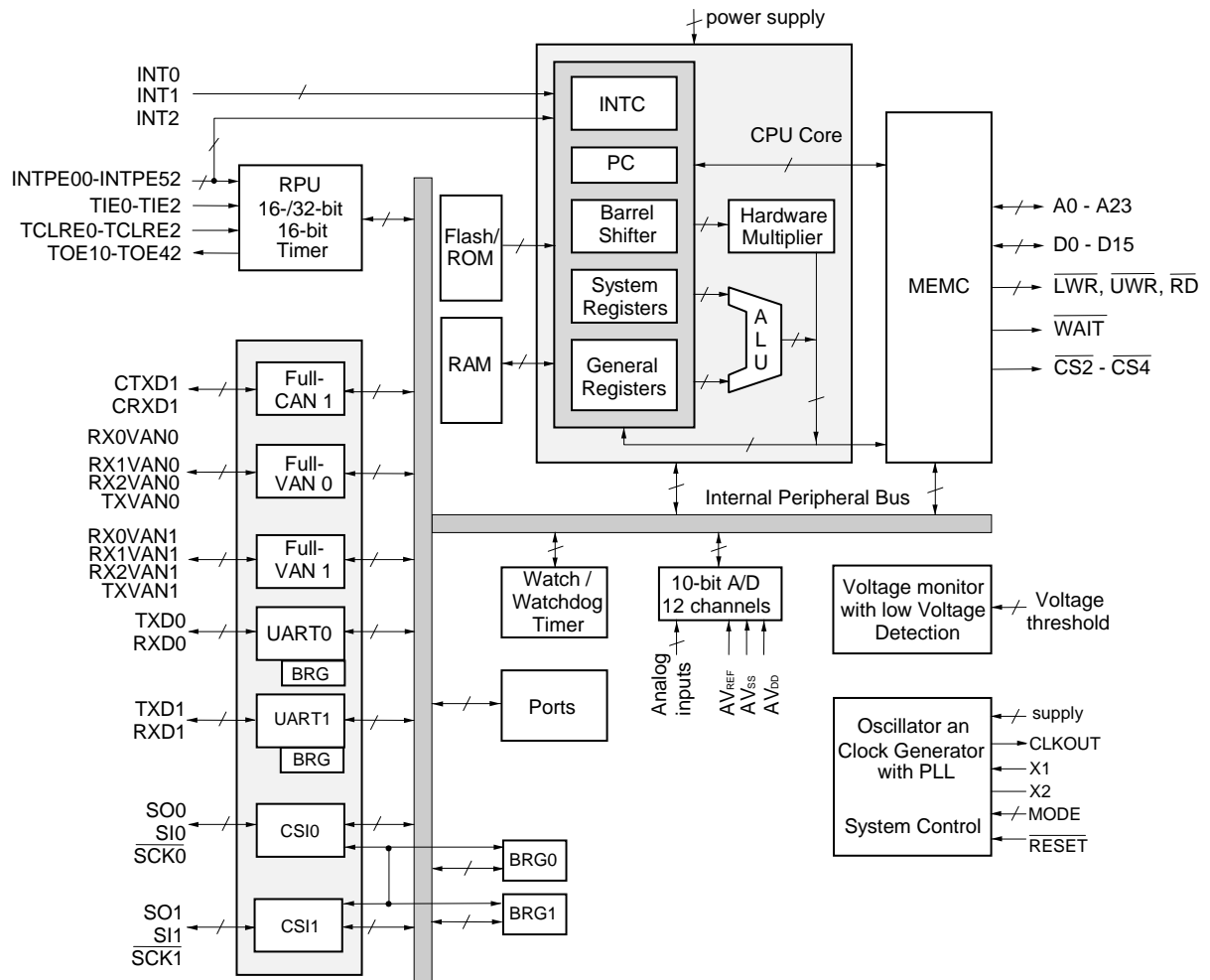
- 32-bit RISC CPU with Harvard Architecture
- Full-VAN Interface: 2 channels
- Full-CAN Interface: 1 channel
- Serial Interfaces: 4 channels
  - 3-wire mode: 2 channels
  - UART mode: 2 channels
- Timers: 7 channels
  - 16/32-bit multi purpose timer/event counter: 3 channels
  - 16-bit OS timer: 2 channel
  - Watch timer: 1 channel
  - Watchdog timer: 1 channel
- 10-bit resolution A/D Converter: 12 channels
- I/O lines: 89
- External Bus Interface (16-bit data / 24-bit address bus)
- Power supply voltage range:  $4.5\text{ V} \leq V_{DD5} \leq 5.5\text{ V}$
- Frequency range: up to 20 MHz
- Crystal frequency range:  $4\text{ MHz} \leq f_{\text{CRYSTAL}} \leq 5\text{ MHz}$
- Built-in voltage monitor with low voltage detection (selectable threshold and hysteresis)
- Built-in low power saving mode
- Built-in clock oscillator circuit with internal PLL
- Vectored interrupts: 49
- Temperature range: -40 °C to +85 °C
- Package: 144 QFP, 0.5 mm pin-pitch (20 x 20 mm)

**ORDERING INFORMATION**

Device	Part Number	Package	ROM	RAM	Oper. Freq.
V850E/VANStorm	μPD76F0018	QFP144 20 x 20 mm	256 K Flash	8 K	20 MHz

**The information contained in this document is released in advance of the production cycle for the device. The parameters for the device may change before final production, or NEC Corporation may, at its own discretion, withdraw the device prior to production.**

INTERNAL BLOCK DIAGRAM



## PIN IDENTIFICATION

A0 - A23	Address Bus	RX0VAN0 - RX0VAN1	VAN Receive Data Inputs
ANI0 - ANI11	Analogue Inputs	RX1VAN0 - RX1VAN1	VAN Receive Data Inputs
AV <sub>DD</sub>	Power Supply +5 V	RX2VAN0 - RX2VAN1	VAN Receive Data Inputs
AV <sub>REF</sub>	Analogue Reference Voltage	RXD0 - RXD1	Receive Data Inputs
AV <sub>SS</sub>	Power Supply Ground	$\overline{\text{RESET}}$	System Reset Input
CCLK	External CAN Clock Input	$\overline{\text{RD}}$	Read Data Control Signal
CLOCKIN	External System Clock Input	$\overline{\text{SCK0}}$ - $\overline{\text{SCK1}}$	Serial Clock
CLKSEL	Clock Selection Configuration Input	SI0 - SI1	Serial Input
CLKOUT	Clock Output	SO0 - SO1	Serial output
CV <sub>DD</sub>	Voltage Regulator Capacitor Connection	TCLRE0 - TCLRE2	External Function Control Inputs
CV <sub>SS</sub>	Voltage Regulator Capacitor Connection	TIE0 - TIE2	External Count Clock Inputs
CRXD1	CAN Receive Data Inputs	TOE10 - TOE42	Function Outputs (PWM)
CTXD1	CAN Transmit Data Outputs	TXD0 - TXD1	Transmit Data Outputs
$\overline{\text{CS2}}$ - $\overline{\text{CS4}}$	Chip Select Outputs for accessing external devices	TXVAN0 - TXVAN1	VAN Transmit Data Outputs
D0 - D15	Data Bus	VCMPOUT	Hysteresis Feedback Output
IC	Always connect to V <sub>SS5x</sub>	VCMPIN	Voltage Surveillance Sense Input
INT0 - INT2	External Interrupt Inputs	V <sub>DD30</sub> - V <sub>DD32</sub>	Voltage Regulator Capacitor Connection
INTPE00- INTPE52	Shared External Interrupt Inputs	V <sub>DD50</sub> - V <sub>DD54</sub>	Power Supply +5 V
MODE0 - MODE2	Global Operation Mode Selection Inputs	V <sub>PP0</sub> - V <sub>PP1</sub>	Programming Voltage Inputs
NMI	Non Maskable Interrupt Input	V <sub>SS50</sub> - V <sub>SS55</sub>	Power Supply Ground
P1x - P6x	Multi-Purpose I/O Ports, shared with other functions	V <sub>SS30</sub> - V <sub>SS32</sub>	Voltage Regulator Capacitor Connection and Ground
PALx, PAHx	Multi-Purpose I/O Ports, shared with other functions	$\overline{\text{WAIT}}$	Waitstate Input for external devices
PCMx	Multi-Purpose I/O Ports, shared with other functions	$\overline{\text{LWR}}$ - $\overline{\text{UWR}}$	Write Data Control Signal
PCSx	Multi-Purpose I/O Ports, shared with other functions	X1	Oscillator quartz connection
PCTx	Multi-Purpose I/O Ports, shared with other functions	X2	Oscillator quartz connection
PDLx	Multi-Purpose I/O Ports, shared with other functions		



**Table of Contents**

**INTERNAL BLOCK DIAGRAM ..... 2**

**PIN IDENTIFICATION ..... 3**

**PIN CONFIGURATION ..... 4**

**1. PIN FUNCTIONS ..... 8**

**1.1 Port Pins ..... 8**

**1.2 Other Pins ..... 11**

**2. PROGRAMMING FLASH MEMORY ..... 14**

**3. ELECTRICAL SPECIFICATIONS ..... 15**

**3.1 Absolute Maximum Ratings ..... 15**

**3.2 Operating Conditions ..... 16**

**3.3 General Characteristics ..... 17**

        3.3.1 Oscillator Characteristics ..... 17

        3.3.2 PLL Characteristics ..... 17

        3.3.3 I/O Capacitances ..... 17

**3.4 Oscillator Recommendations ..... 18**

**3.5 DC Characteristics ..... 19**

**3.6 AC Characteristics ..... 21**

        3.6.1 General ..... 21

        3.6.2 Clock ..... 21

        3.6.3 External Memory Access Read Timing ..... 22

        3.6.4 External Memory Access Write Timing ..... 24

        3.6.5 Reset ..... 26

        3.6.6 Interrupt Timing ..... 27

**3.7 Peripheral Function Characteristics ..... 28**

        3.7.1 Timer E ..... 28

        3.7.2 CSI ..... 29

        3.7.3 UART ..... 30

        3.7.4 FVAN ..... 30

        3.7.5 FCAN ..... 30

        3.7.6 A/D Converter ..... 31

        3.7.7 Voltage Comparator Characteristics ..... 31

**3.8 FLASH EPROM Characteristics ..... 32**

**4. PACKAGE DRAWING ..... 34**

**5. RECOMMENDED SOLDERING CONDITIONS ..... 35**

**6. REVISION HISTORY ..... 37**

List of Figures

Figure 1-1: I/O Circuit..... 13  
Figure 3-1: Crystal or Resonator connection in OSC mode..... 18  
Figure 3-2: External Clock in Direct Mode ..... 18  
Figure 3-3: AC Test Input/Output Waveform, AC Test Load Condition ..... 21  
Figure 3-4: Clock AC Characteristics..... 21  
Figure 3-5: External Memory Access Read Timing ..... 23  
Figure 3-6: External Memory Access Write Timing..... 25  
Figure 3-7: Reset Timing ..... 26  
Figure 3-8: Interrupt Timing ..... 27  
Figure 3-9: Timer E Characteristics ..... 28  
Figure 3-10: CSI Slave Mode Characteristics..... 29  
Figure 3-11: Flash EPROM Programming Timing ..... 33  
Figure 4-1: Package Drawing ..... 34

**List of Tables**

Table 1-1:	Pin Functions: Ports .....	8
Table 1-2:	Pin Functions: Functions .....	11
Table 3-1:	Absolute Maximum Ratings.....	15
Table 3-2:	Operating Conditions.....	16
Table 3-3:	Oscillator Characteristics.....	17
Table 3-4:	PLL Characteristics .....	17
Table 3-5:	I/O Capacitances .....	17
Table 3-6:	DC Characteristics.....	19
Table 3-7:	Power Supply Currents.....	20
Table 3-8:	Clock AC Characteristics.....	21
Table 3-9:	External Memory Access Read Timing .....	22
Table 3-10:	External Memory Access Write Timing.....	24
Table 3-11:	Reset Timing .....	26
Table 3-12:	Interrupt Timing .....	27
Table 3-13:	Timer E Characteristics .....	28
Table 3-14:	CSI Master Mode Characteristics.....	29
Table 3-15:	CSI Slave Mode Characteristics.....	29
Table 3-16:	UART Characteristics .....	30
Table 3-17:	FVAN Characteristics .....	30
Table 3-18:	FCAN Characteristics .....	30
Table 3-19:	A/D Converter Characteristics .....	31
Table 3-20:	Voltage Comparator Characteristics.....	31
Table 3-21:	Flash EPROM Programming Characteristics Basic Specification .....	32
Table 3-22:	Flash EPROM Serial Programming Operation Characteristics .....	33
Table 5-1:	Soldering Conditions .....	35

1. PIN FUNCTIONS

1.1 Port Pins

Table 1-1: Pin Functions: Ports

Port	I/O	Function	Driver Type	Alternate1	Alternate2	Alternate2
P10	I/O	Port 1 7-bit input/output port	5-K	CRXD0		
P11				CTXD0		
P12						
P13						
P14						
P15						
P16						
P20	I/O	Port 2 8-bit input/output port	5	SI0		
P21			5-K	SO0		
P22			5	SCK0		
P23			5-K	SI1		
P24				SO1		
P25				SCK1		
P26				RXD0		
P27				TXD0		
P30	I/O	Port 3 6-bit input/output port	5-K	TIE00	INTPE00	
P31				TIE10	TOE10	INTPE10
P32				TIE20	TOE20	INTPE20
P33				TIE30	TOE30	INTPE30
P34				TIE40	TOE40	INTPE40
P35				TIE50	TCLRE0	INTPE50
P40	I/O	Port 4 6-bit input/output port	5-K	TIE01	INTPE01	
P41				TIE11	TOE11	INTPE11
P42				TIE21	TOE21	INTPE21
P43				TIE31	TOE31	INTPE31
P44				TIE41	TOE41	INTPE41
P45				TIE51	TCLRE1	INTPE51
P50	I/O	Port 5 6-bit input/output port	5-K	TIE0	INTPE02	
P51				TIE12	TOE12	INTPE12
P52				TIE22	TOE22	INTPE22
P53				TIE32	TOE32	INTPE32
P54				TIE42	TOE42	INTPE42
P55				TIE52	TCLRE2	INTPE52
P60	I/O	Port 6 6-bit input/output port	5-K	CCLK		
P61				INT0		
P62				INT1		
P63				INT2		
P64				RXD1		
P65				TXD1		



Table 1-1: Pin Functions: Ports

Port	I/O	Function	Driver Type	Alternate1	Alternate2	Alternate2
PAL0	I/O	Port AL 16-bit input/output port	5-K	A0		
PAL1				A1		
PAL2				A2		
PAL3				A3		
PAL4				A4		
PAL5				A5		
PAL6				A6		
PAL7				A7		
PAL8				A8		
PAL9				A9		
PAL10				A10		
PAL11				A11		
PAL12				A12		
PAL13				A13		
PAL14				A14		
PAL15				A15		
PAH0	I/O	Port AH 8-bit input/output port	5	A16		
PAH1				A17		
PAH2				A18		
PAH3				A19		
PAH4				A20		
PAH5				A21		
PAH6				A22		
PAH7				A23		
PDL0	I/O	Port DL 16-bit input/output port	5-K	D0		
PDL1				D1		
PDL2				D2		
PDL3				D3		
PDL4				D4		
PDL5				D5		
PDL6				D6		
PDL7				D7		
PDL8				D8		
PDL9				D9		
PDL10				D10		
PDL11				D11		
PDL12				D12		
PDL13				D13		
PDL14				D14		
PDL15				D15		
PCM0	I/O	Port CM 2-bit input/output port	5-K	WAIT		
PCM1				CLKOUT		

**Table 1-1: Pin Functions: Ports**

Port	I/O	Function	Driver Type	Alternate1	Alternate2	Alternate2
PCS2	I/O	Port CS 3-bit input/output port	5-K	$\overline{CS2}$		
PCS3				$\overline{CS3}$		
PCS4				$\overline{CS4}$		
PCT0	I/O	Port CT 5-bit input/output port	5-K	$\overline{WR0}$		
PCT1				$\overline{WR1}$		
PCT2						
PCT3						
PCT4				$\overline{RD}$		

1.2 Other Pins

Table 1-2: Pin Functions: Functions

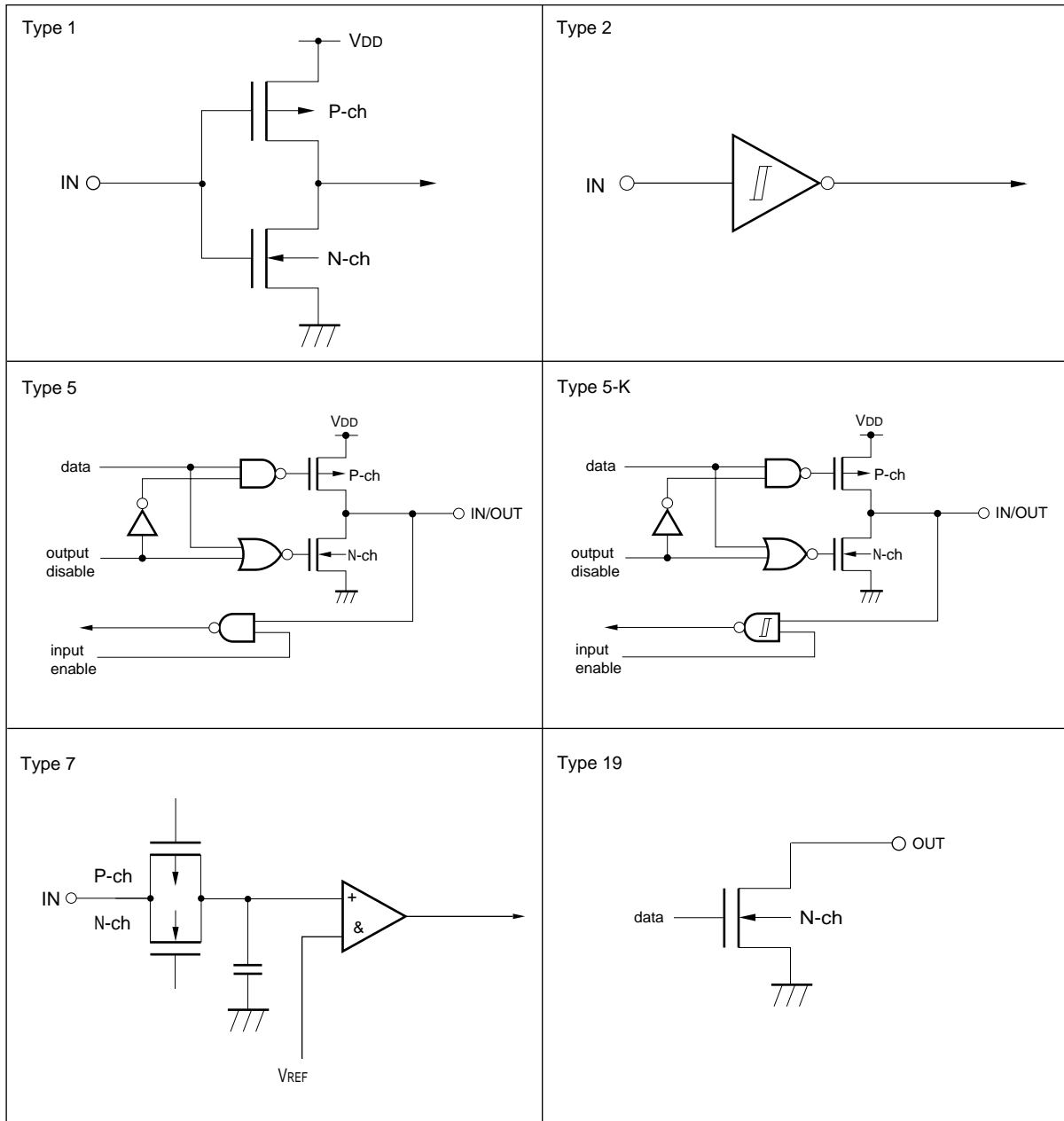
Pin Name	I/O	Function	Termination	Driver Type
$V_{DD50} - V_{DD54}$	-	Power supply 5 V		-
$V_{SS50} - V_{SS55}$				
$V_{DD30} - V_{DD32}$	-	Connection for external capacities <sup>Note</sup>		-
$V_{SS30} - V_{SS32}$		Connection for external capacities, connect to $V_{SS5x}$		
$CV_{DD}$	-	Connection for external capacities to stabilize clock oscillator power supply		-
$CV_{SS}$		Connection for external capacities to stabilize clock oscillator power supply, connect to $V_{SS5x}$		
X1	input	System clock oscillator connection pins.	See Chapter 3.4 on page 18	-
X2	-			-
CLOCKIN	input	External system clock input	10 K to $V_{SS5x}$	2
$V_{PP0}, V_{PP1}$	-	Flash memory programming voltage	10 K to $V_{SS5x}$	-
MODE1	input	Selects operating mode (internal rom / rom less)	$V_{DD5}$ or $V_{SS5x}$	2
MODE0, MODE2	input	Have to be fixed to $V_{SS}$	$V_{SS5x}$	2
$\overline{RESET}$	input	System reset input		2
CLKOUT	output	Internal CPU system clock output	-	5-K
CLKSEL	input	Clock generator operation mode	10 K $V_{DD5x}$ or $V_{SS5x}$	2
$AV_{DD}$	-	Power supply for A/D converter	$V_{DD5x}$	-
$AV_{SS}$			$V_{SS5x}$	-
$AV_{REF}$	input	reference voltage input for A/D converter	$AV_{DD}$	-
NMI	input	non maskable interrupt input	100 K to $V_{DD5x}$	5-K
VCMPOUT	output	voltage comparator feedback output	-	1
VCMPIN	input	voltage comparator compare input	100 K to $V_{DD5x}$	
ANI0 - ANI11	input	analog input to A/D converter	$V_{SS5x}$	7
IC	input	internal connection (connect to $V_{SS5x}$ )	$V_{SS5x}$	-
SI0	input	serial receive data input to CSI0-CSI1	100 K to $V_{DD5x}$	5
SI1			100 K to $V_{DD5x}$	5-K
SO0	output	serial transmit data output from CSI0-CSI1	100 K to $V_{DD5x}$	5-K
SO1			100 K to $V_{DD5x}$	5-K
$\overline{SCK0}$	I/O	serial clock I/O from CSI0	100 K to $V_{DD5x}$	5
$\overline{SCK1}$	I/O	serial clock I/O from CSI1	100 K to $V_{DD5x}$	5-K
RXD0	input	serial receive data input to UART0-UART2	100 K to $V_{DD5x}$	5-K
RXD1			100 K to $V_{DD5x}$	5-K
TXD0	output	serial transmit data output from UART0-UART2	100 K to $V_{DD5x}$	5-K
TXD1			100 K to $V_{DD5x}$	5-K
CRXD1	input	serial receive data input to FCAN0	100 K to $V_{DD5x}$	5-K

**Table 1-2: Pin Functions: Functions**

Pin Name	I/O	Function	Termination	Driver Type
CTXD1	output	serial transmit data output from FCAN0	100 K to V <sub>DD5x</sub>	5-K
RX0VAN0	input	serial receive data input to FVAN0	100 K to V <sub>DD5x</sub>	2
RX1VAN0	input		100 K to V <sub>DD5x</sub>	
RX2VAN0	input		100 K to V <sub>DD5x</sub>	
RX0VAN1	input	serial receive data input to FVAN1	100 K to V <sub>DD5x</sub>	2
RX1VAN1	input		100 K to V <sub>DD5x</sub>	
RX2VAN1	input		100 K to V <sub>DD5x</sub>	
TXVAN0	output	serial transmit data output from FVAN0	100 K to V <sub>DD5x</sub>	19
TXVAN1	output	serial transmit data output from FVAN1	100 K to V <sub>DD5x</sub>	19
CCLK	input	CAN clock input	100 K to V <sub>DD5x</sub>	5-K
D0 - D15	I/O	data bus of external bus	PDL0 - PDL15, 100 K to V <sub>DD5x</sub>	5-K
A0 - A7	output	address bus of external bus	100 K to V <sub>DD5x</sub>	5
A8 - A15				
A16 - A23				
$\overline{WR0}$	I/O	write strobe lower byte (bit 0 - 7)	100 K to V <sub>DD5x</sub>	5-K
$\overline{WR1}$		write strobe upper byte (bit 8 - 15)	100 K to V <sub>DD5x</sub>	5-K
$\overline{RD}$		read strobe for external bus	100 K to V <sub>DD5x</sub>	5-K
$\overline{WAIT}$	input	control signal input for external bus	100 K to V <sub>DD5x</sub>	5-K
$\overline{CS2} - \overline{CS4}$	output	chip select output for external bus	PCS2 - PCS4 100 K to V <sub>DD5x</sub>	5-K
INT0 - INT2	input	external interrupt request	100 K to V <sub>DD5x</sub>	5-K
TIE0	input	Timer E channel 0 capture 0 input	100 K to V <sub>DD5x</sub>	5-K
TOE10 - TOE40	I/O	Timer E channel 0 capture 1 - 4 input/output	100 K to V <sub>DD5x</sub>	5-K
TCLRE0	input	Timer E channel 0 capture 5 input or timer clear input	100 K to V <sub>DD5x</sub>	5-K
TIE1	input	Timer E channel 1 capture 0 input	100 K to V <sub>DD5x</sub>	5-K
TOE11 - TOD41	I/O	Timer E channel 1 capture 1 - 4 input/output	100 K to V <sub>DD5x</sub>	5-K
TCLRE1	input	Timer E channel 1 capture 5 input or timer clear input	100 K to V <sub>DD5x</sub>	5-K
TIE2	input	Timer E channel 2 capture 0 input	100 K to V <sub>DD5x</sub>	5-K
TOE12 - TOE42	I/O	Timer E channel 2 capture 1 - 4 input/output	100 K to V <sub>DD5x</sub>	5-K
TCLRE2	input	Timer E channel 2 capture 5 input or timer clear input	100 K to V <sub>DD5x</sub>	5-K

**Note:** All V<sub>DD3x</sub> power supply pins must be tied together externally. Resistance between V<sub>DD3x</sub> pins must not exceed 0.1 Ω DC / 2.5 Ω @ 20 MHz.

Figure 1-1: I/O Circuit



## **2. PROGRAMMING FLASH MEMORY**

The device μPD76F0018 supports the programming of the internal flash in two ways: Either by using the *flash*MASTER programming tool or by performing self-programming using software functions and I/O communications.

For programming details about both methods, see the User's Manual. For timing characteristics about the initial programming using *flash*MASTER and some more electrical data about the Flash Memory, see Chapter: "FLASH EPROM Characteristics" on page 32.

3. ELECTRICAL SPECIFICATIONS

3.1 Absolute Maximum Ratings

Table 3-1: Absolute Maximum Ratings

(T<sub>A</sub> = 25°C, V<sub>SS3x</sub> = 0 V)

Parameter	Symbol	Test Conditions	Ratings	Unit	
Supply voltage	V <sub>DD5x</sub>		-0.5 ~ +6.0	V	
	AV <sub>DD</sub>		-0.5 ~ +6.0	V	
	AV <sub>SS</sub>		-0.5 ~ +0.5	V	
	A <sub>SS5x</sub>		-0.5 ~ +0.5	V	
Input voltage	(all except V <sub>PP</sub> , X1, X2)	V <sub>I1</sub>	V <sub>I1</sub> < V <sub>DD5x</sub> + 0.5 V	-0.5 ~ +6.0	V
	V <sub>PP</sub>	V <sub>I3</sub>	V <sub>DD5x</sub> = 4.5 V - 5.5 V	-0.5 ~ 8.5	V
Output current low	1 pin	I <sub>OL0</sub>		4.0	mA
	All pins	I <sub>OL1</sub>		50	mA
	group 1, 2 <sup>Note 1</sup>	I <sub>OL2</sub>		18	mA
	group 3, 4 <sup>Note 2</sup>	I <sub>OL3</sub>		36	mA
Output current high	1 pin	I <sub>OH0</sub>		-4.0	mA
	All pins	I <sub>OH1</sub>		-50	mA
	group 1, 2 <sup>Note 1</sup>	I <sub>OH2</sub>		-18	mA
	group 3, 4 <sup>Note 2</sup>	I <sub>OH3</sub>		-36	mA
Output voltage		V <sub>O</sub>	V <sub>O</sub> < V <sub>DD5x</sub> + 0.5 V	-0.5 ~ +6.0	V
Operating temperature		T <sub>OPR</sub>		-40 ~ +85	°C
Operating temperature		T <sub>PRG</sub>	during programming	0 ~ +70	°C
Storage temperature		T <sub>STGB</sub>	Before program	-55 ~ +150	°C
		T <sub>STGA</sub>	After program	-55 ~ +125	°C

- Notes:** 1. Group 1 pins: P1, P2, VCMPOUT, TXVAN0  
 Group 2 pins: P3, P4, P5
2. Group 3 pins: PAL, PAH  
 Group 4 pins: PCS, PCT, PCM, P6, TXVAN1

3.2 Operating Conditions

**Table 3-2: Operating Conditions**

Clock Mode	Operation Mode	Operating Temperature (T <sub>A</sub> )	Supply Voltage (V <sub>DD5x</sub> )	Inside Operation Clock Frequency <sup>Note 1</sup>
Direct Mode <sup>Note 2</sup>	ALL Modes	-40 ~ +85°C	4.5 V ~ 5.5 V	4 MHz ≤ f <sub>CPU</sub> ≤ 20 MHz
OSC Mode, PLL on <sup>Note 3</sup>				16 MHz ≤ f <sub>CPU</sub> ≤ 20 MHz
OSC Mode, PLL off <sup>Note 4</sup>				4 MHz ≤ f <sub>CPU</sub> ≤ 5 MHz

- Notes:**
1. f<sub>CPU</sub> = CPU operating frequency, as output (if enabled) on the CLOCKOUT pin.
  2. See “External Clock in Direct mode” on page 18 for clock mode definition. The inside clock frequency is half of the applied external frequency.
  3. See “Crystal or Ceramic Resonator connection in OSC mode (T<sub>A</sub> = -40 ~ +85°C)” on page 18 for clock mode definition. The inside clock frequency is the quartz frequency, multiplied by 4.
  4. See “Crystal or Ceramic Resonator connection in OSC mode (T<sub>A</sub> = -40 ~ +85°C)” on page 18 for clock mode definition. The inside clock frequency is the quartz frequency. The PLL must be set permanently off by clearing the PLEN flag.



**3.3 General Characteristics**

**3.3.1 Oscillator Characteristics**

**Table 3-3: Oscillator Characteristics**

( $T_A = -40 \sim +85^\circ\text{C}$ )

Parameter	Symbol	Test Conditions	MIN.	TYP.	MAX.	Unit
Oscillation stabilization time	$T_{\text{OST}}$	OSC MODE		10		ms

**3.3.2 PLL Characteristics**

**Table 3-4: PLL Characteristics**

( $T_A = -40 \sim +85^\circ\text{C}$ )

Parameter	Symbol	Test Conditions	MIN.	TYP.	MAX.	Unit
PLL lock time	$T_{\text{PLL}}$	OSC MODE			1	ms

**3.3.3 I/O Capacitances**

**Table 3-5: I/O Capacitances**

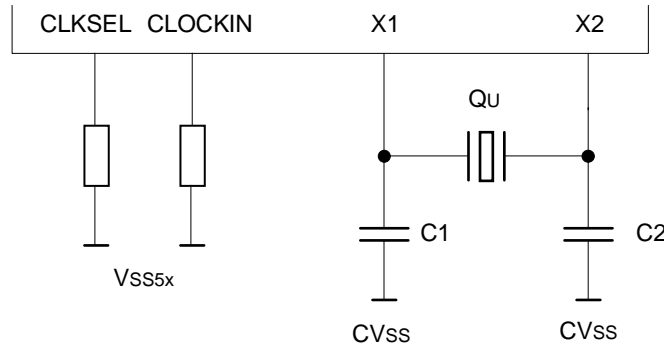
( $T_A = 25^\circ\text{C}$ ,  $V_{\text{DD5x}} = V_{\text{SS5x}} = 0 \text{ V}$ )

Parameter	Symbol	Test Conditions	MIN.	TYP.	MAX.	Unit
Input capacitance	$C_I$	$f_C = 1 \text{ MHz}$ Unmeasured pins returned to 0 V			15	pF
Input/output capacitance	$C_{\text{IO}}$				15	pF
Output capacitance	$C_O$				15	pF

3.4 Oscillator Recommendations

(a) Crystal or Ceramic Resonator connection in OSC mode ( $T_A = -40 \sim +85^\circ\text{C}$ )

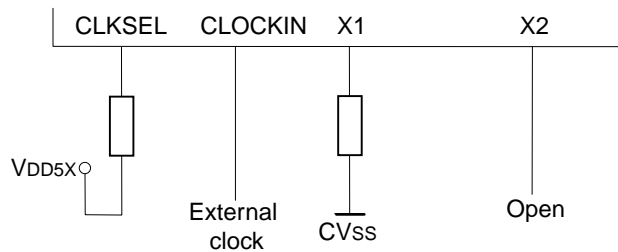
Figure 3-1: Crystal or Resonator connection in OSC mode



**Remark:** Values of capacitors depend on used resonator, must be specified in cooperation with resonator manufacturer

(b) External Clock in Direct mode

Figure 3-2: External Clock in Direct Mode



- Remarks:**
1. CLKSEL Termination Resistor value: 1 K to 10 K to  $V_{DD5}$
  2. X1 Termination Resistor value: 1 K to 10 K to  $V_{SS5x}$

3.5 DC Characteristics

Table 3-6: DC Characteristics

(T<sub>A</sub> = -40 ~ +85°C, V<sub>DD5x</sub> = 4.5 V ~ 5.5 V , V<sub>SS5x</sub> = 0 V)

Parameter		Symbol	Test Conditions	MIN.	TYP.	MAX.	Unit
Input voltage high	all except: P20,P22,X1 ,X2,PAH, RXVAN- pins <sup>Note1</sup>	V <sub>IH1</sub>		0.8 V <sub>DD5x</sub>		V <sub>DD5x</sub>	V
Input voltage low		V <sub>IL1</sub>		0		0.2 V <sub>DD5x</sub>	V
Input voltage high	PAH, RXVAN- pins <sup>Note1</sup>	V <sub>IH2</sub>		0.7 V <sub>DD5x</sub>		V <sub>DD5x</sub>	V
Input voltage low		V <sub>IL2</sub>		0		0.3 V <sub>DD5x</sub>	V
Input voltage high	P20,22	V <sub>IHT</sub>		2.2		V <sub>DD5x</sub>	V
Input voltage low	P20,22	V <sub>ILT</sub>		0		0.8	V
Output voltage high		V <sub>OH0</sub>	I <sub>OH0</sub> = -3.0 mA	V <sub>DD5x</sub> -1.0 V			V
Output voltage low	all except: TXVAN0 - 1	V <sub>OL0</sub>	I <sub>OL0</sub> = 3.0 mA			0.4	V
	TXVAN0 - 1	V <sub>OL4</sub>	I <sub>OL4</sub> = 3.2 mA <b>Note 2</b>			0.4	V
Input leakage current, high		I <sub>LIH</sub>	V <sub>I</sub> = V <sub>DD5</sub>			5	μA
Input leakage current, low		I <sub>LIL</sub>	V <sub>I</sub> = 0			-5	μA

- Notes:** 1. RXVAN-pins: RX0VAN0, RX1VAN0, RX2VAN0, RX0VAN1, RX1VAN1, RX2VAN1  
 2. Under this test condition, current is limited to 1.5mA for the following pins:  
 P1, P2, VCMPOUT

**Table 3-7: Power Supply Currents**

( $T_A = -40 \sim +85^\circ\text{C}$ ,  $V_{DD5x} = 4.5 \text{ V} \sim 5.5 \text{ V}$ ,  $V_{SS5x} = 0 \text{ V}$ )

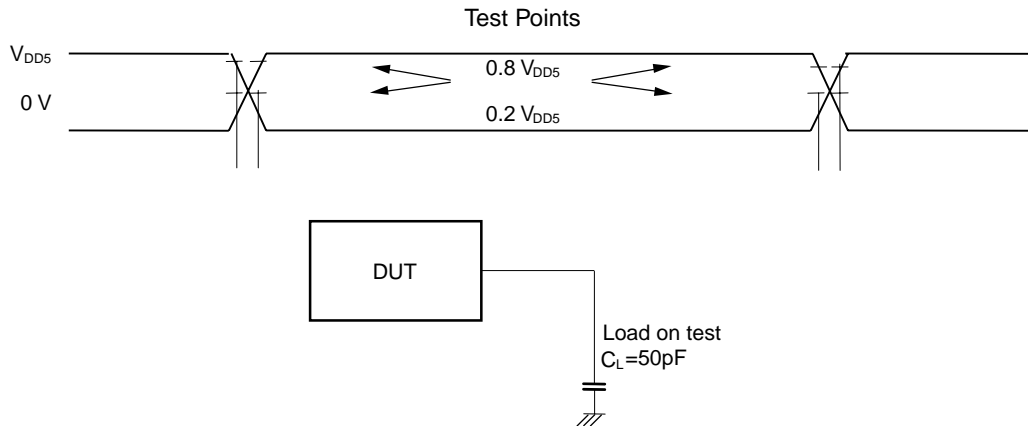
Parameter	Symbol	Test Conditions	MIN.	TYP.	MAX.	Unit
Supply Current	$I_{DD1D}$	Operating ( $f_{cpu} = 20 \text{ MHz}$ ) Direct Mode		65	130	mA
	$I_{DD1P}$	Operating ( $f_{cpu} = 20 \text{ MHz}$ ) OSC Mode x 4		65	130	mA
	$I_{DD1D1}$	Operating ( $f_{cpu} = 16 \text{ MHz}$ ) Direct Mode		53	110	mA
	$I_{DD1P1}$	Operating ( $f_{cpu} = 16 \text{ MHz}$ ) OSC Mode x 4		53	110	mA
	$I_{DD1P2}$	Operating ( $f_{cpu} = 4 \text{ MHz}$ ) OSC Mode x 1		14	30	mA
	$I_{DD2D}$	HALT ( $f_{cpu} = 20 \text{ MHz}$ ) Direct Mode		50	100	mA
	$I_{DD2P}$	HALT ( $f_{cpu} = 20 \text{ MHz}$ ) OSC Mode x 4		50	100	mA
	$I_{DD2D1}$	HALT ( $f_{cpu} = 16 \text{ MHz}$ ) Direct Mode		42	85	mA
	$I_{DD2P1}$	HALT ( $f_{cpu} = 16 \text{ MHz}$ ) OSC Mode x 4		42	85	mA
	$I_{DD2P2}$	HALT ( $f_{cpu} = 4 \text{ MHz}$ ) OSC Mode x 1		11	22	mA
	$I_{DD3D}$	IDLE ( $f_{cpu} = 20 \text{ MHz}$ ) Direct Mode		6.5	15	mA
	$I_{DD3P}$	IDLE ( $f_{cpu} = 20 \text{ MHz}$ ) OSC Mode x 4		6.5	15	mA
	$I_{DD3D1}$	IDLE ( $f_{cpu} = 16 \text{ MHz}$ ) Direct Mode		6	14	mA
	$I_{DD3P1}$	IDLE ( $f_{cpu} = 16 \text{ MHz}$ ) OSC Mode x 4		6	14	mA
	$I_{DD3P2}$	IDLE ( $f_{cpu} = 4 \text{ MHz}$ ) OSC Mode x 1		3	8	mA
	$I_{DD4D}$	WATCH ( $f_{cpu} = 5 \text{ MHz}$ ) Direct Mode		0.8	3.2	mA
	$I_{DD4P}$	WATCH ( $f_{cpu} = 5 \text{ MHz}$ ) OSC Mode x 1		0.8	3.2	mA
$I_{DD4P1}$	WATCH ( $f_{cpu} = 4 \text{ MHz}$ ) OSC Mode x 1		0.6	3.0	mA	

3.6 AC Characteristics

3.6.1 General

( $T_A = -40 \sim +85^\circ\text{C}$ ,  $V_{DD5x} = 4.5 \text{ V} \sim 5.5 \text{ V}$ ,  $V_{SS5x} = 0 \text{ V}$ , Output pin load capacitance:  $C_L = 50 \text{ pF}$ )

Figure 3-3: AC Test Input/Output Waveform, AC Test Load Condition

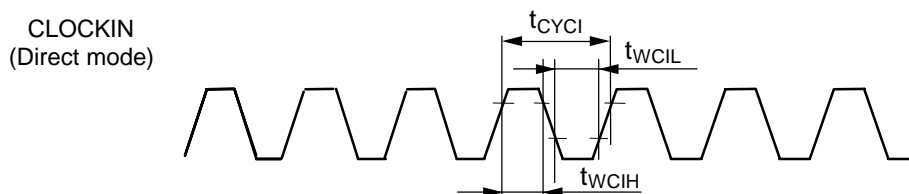


3.6.2 Clock

Table 3-8: Clock AC Characteristics

Parameter	Symbol	Test Conditions	MIN.	MAX.	Unit
CLOCKIN input cycle	$t_{CYCl}$	Direct Mode	25	125	ns
CLOCKIN input high-level width	$t_{WCiH}$	Direct Mode	12		ns
CLOCKIN input low-level width	$t_{WCiL}$	Direct Mode	12		ns

Figure 3-4: Clock AC Characteristics



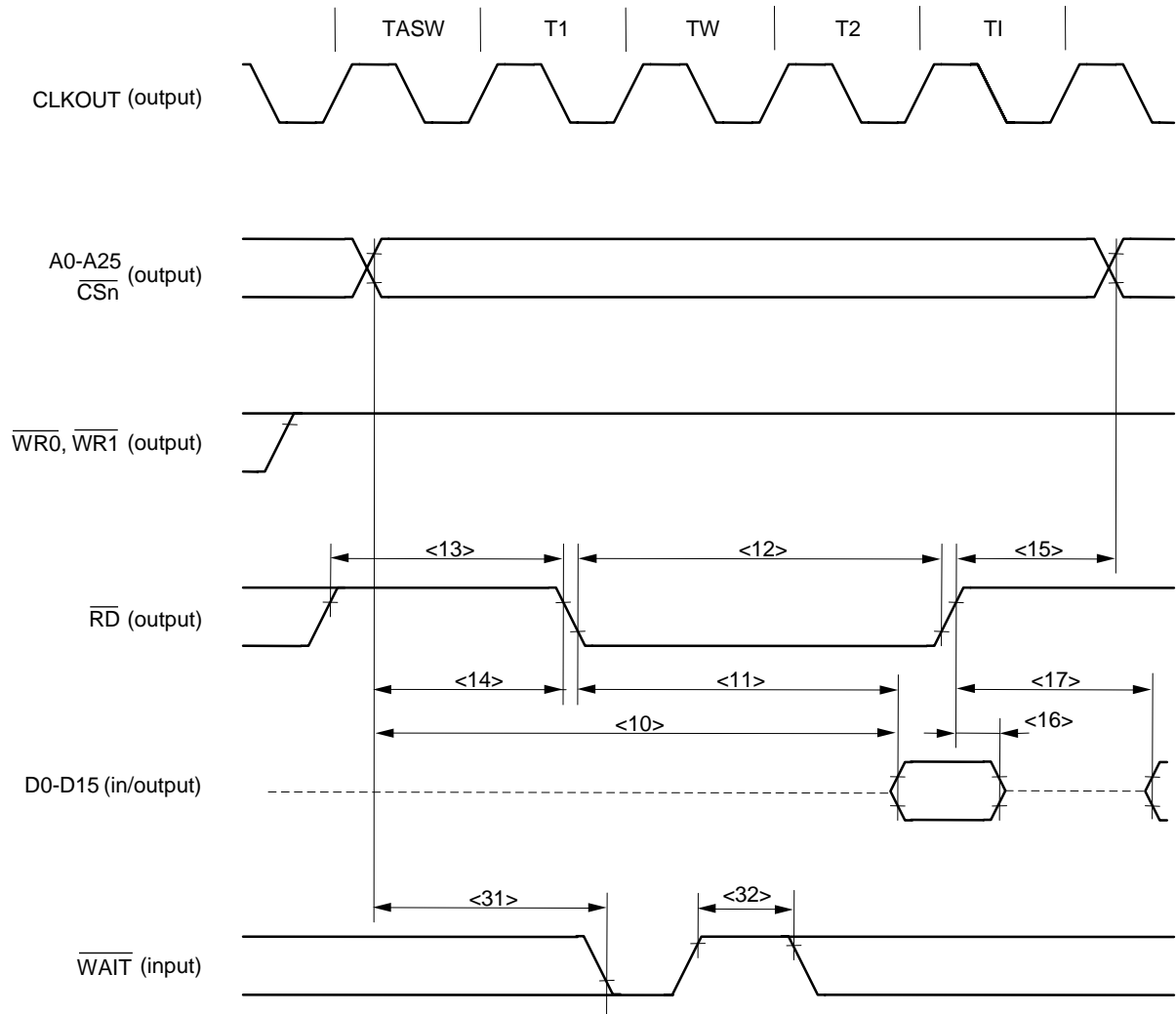
3.6.3 External Memory Access Read Timing

Table 3-9: External Memory Access Read Timing

Parameter		Symbol	MIN.	MAX.	Unit
Data input set up time (vs.address)	<10>	$T_{SAID}$		$(2+w+w_D+w_{AS})T - 70$	ns
Data input set up time (vs. $\overline{RD}\downarrow$ )	<11>	$T_{SRDID}$		$(1.5+w+w_D)T - 60$	ns
$\overline{RD}$ Low level width	<12>	$T_{WRDL}$	$(1.5+w+w_D)T - 15$		ns
$\overline{RD}$ High level width	<13>	$T_{WRDH}$	$(0.5+w_{AS}+i)T - 23$		ns
Address, $\overline{CSn} \rightarrow \overline{RD}\downarrow$ delay time	<14>	$T_{DARD}$	$(0.5+w_{AS})T - 25$		ns
$\overline{RD}\uparrow \rightarrow$ address delay time	<15>	$T_{DRDA}$	$iT$		ns
Data input hold time (vs. $\overline{RD}\uparrow$ )	<16>	$T_{HRDID}$	0		ns
$\overline{RD}\uparrow \rightarrow$ data output delay time	<17>	$T_{DRDOD}$	$(0.5+i)T$		ns
$\overline{WAIT}$ set up time (vs.address)	<31>	$T_{SAW}$		$(1+w_{AS}+w_D)T - 70$	ns
$\overline{WAIT}$ high level width	<32>	$T_{WWH}$	T		ns

- Remarks:**
1.  $T$  :  $1/f_{CPU}$  (= frequency of CLKOUT)
  2.  $i$  : Number of idle states specified by BCC register
  3.  $w_{AS}$ : Number of waits specified by ASC register
  4.  $w_D$ : Number of waits specified by DWC1, DWC2 register;  $w_D \geq 1$
  5.  $w$  : Number of waits due to  $\overline{WAIT}$

Figure 3-5: External Memory Access Read Timing



3.6.4 External Memory Access Write Timing

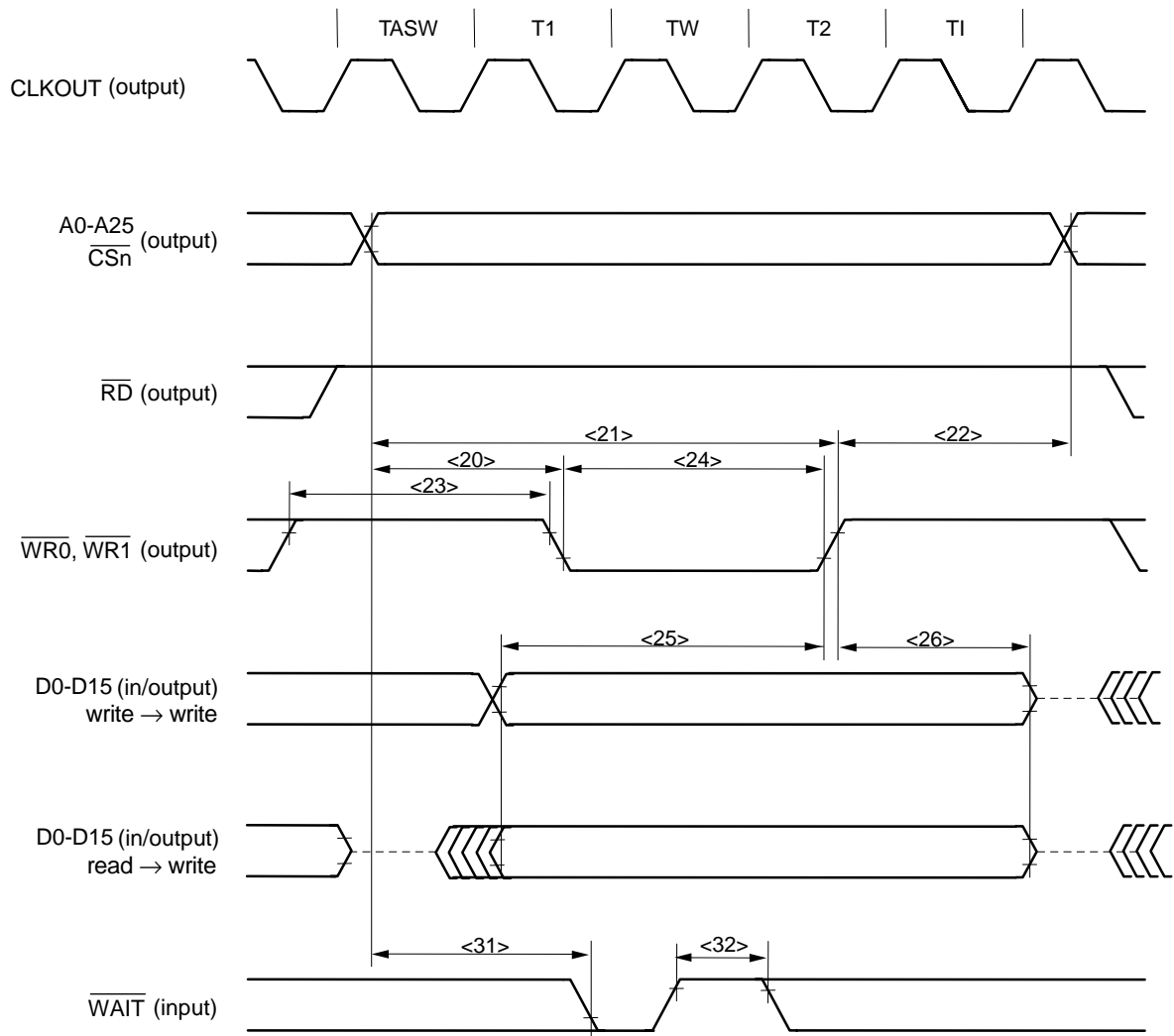
Table 3-10: External Memory Access Write Timing

Parameter	Symbol	MIN.	MAX.	Unit
Address, CS <sub>n</sub> → $\overline{WR0}$ , $\overline{WR1}$ ↓ delay time	<20> $T_{DAWR}$	$(0.5+w_{AS})T - 20$		ns
Address set up (vs. $\overline{WR0}$ , $\overline{WR1}$ ↑)	<21> $T_{SAWR}$	$(1.5+w+w_D+w_{AS})T - 25$		ns
$\overline{WR0}$ , $\overline{WR1}$ ↑ → address delay time	<22> $T_{DWRA}$	$(0.5+i)T - 15$		ns
$\overline{WR0}$ , $\overline{WR1}$ High level width	<23> $T_{WWRH}$	$(0.5+i+w_{AS})T - 15$		ns
$\overline{WR0}$ , $\overline{WR1}$ Low level width	<24> $T_{WWRL}$	$(1+w+w_D)T - 20$		ns
Data output set up time (vs. $\overline{WR0}$ , $\overline{WR1}$ ↑)	<25> $T_{SODWR}$	$(0.5+w+w_D+w_{AS})T - 25$		ns
Data output hold time (vs. $\overline{WR0}$ , $\overline{WR1}$ ↑)	<26> $T_{HWROD}$	$(0.5+i)T - 15$		ns
$\overline{WAIT}$ set up time (vs. address)	<31> $T_{SAW}$		$(1+w_{AS}+w_D)T - 70$	ns
$\overline{WAIT}$ High level width	<32> $T_{WWH}$	T		ns

- Remarks:**
1. T :  $1/f_{CPU}$  (= frequency of CLKOUT)
  2. i : Number of idle states specified by BCC register
  3.  $w_{AS}$ : Number of waits specified by ASC register
  4.  $w_D$ : Number of waits specified by DWC1, DWC2 register;  $w_D \geq 1$
  5. w : Number of waits due to  $\overline{WAIT}$



Figure 3-6: External Memory Access Write Timing



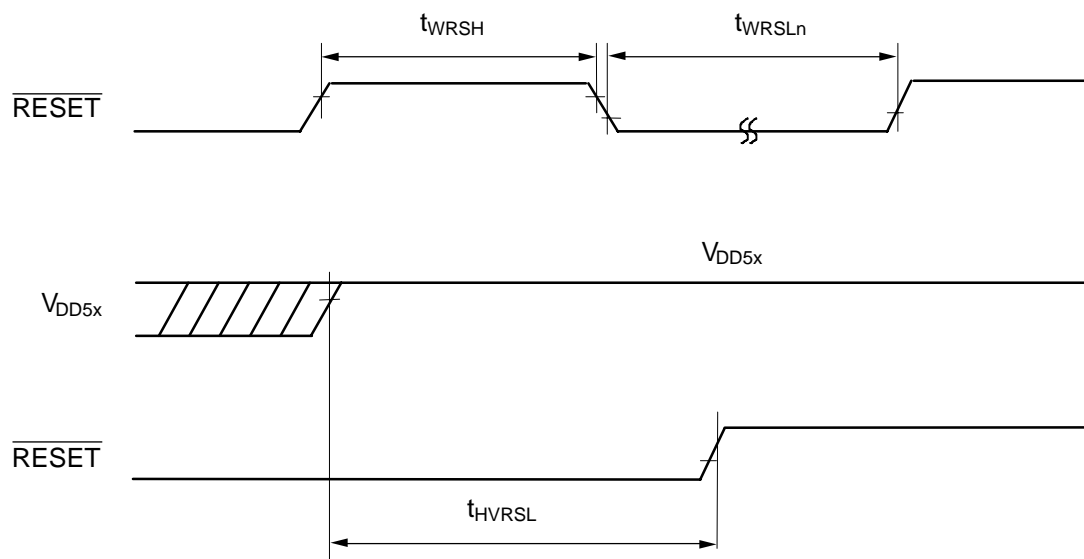
3.6.5 Reset

Table 3-11: Reset Timing

Parameter	Symbol	Test Conditions	MIN.	MAX.	Unit
RESET high-level width	$t_{WRSH}$		500		ns
RESET low-level width	$t_{WRSL0}$	STOP Mode release, OSC mode	$T_{OST}$ <sup>Note</sup>		ms
	$t_{WRSL1}$	STOP Mode release, Direct mode	1.5		ms
	$t_{WRSL2}$	except STOP Mode release	1.5		ms
RESET hold time (from $V_{DD5x}$ )	$t_{HVRSL0}$	OSC Mode on power-on	$T_{OST}$		ms
	$t_{HVRSL1}$	Direct mode on power-on	1.5		ms

Note:  $T_{OST}$ : Oscillation stabilization time

Figure 3-7: Reset Timing



Remark:  $n = 0$  to  $2$

3.6.6 Interrupt Timing

Table 3-12: Interrupt Timing

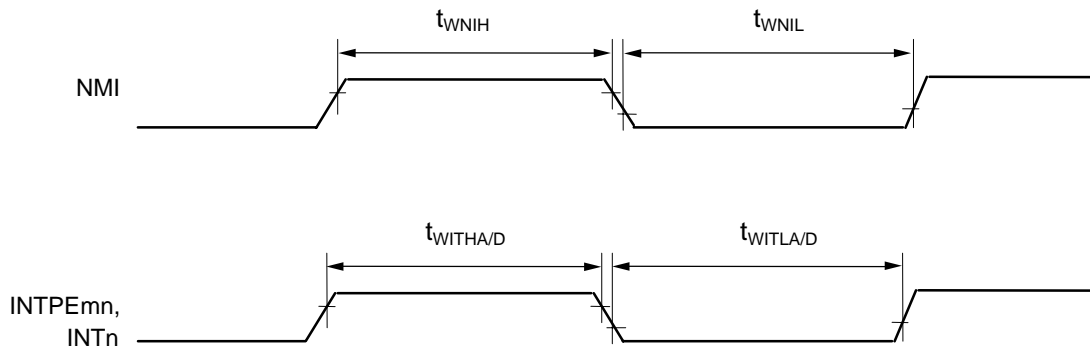
Parameter <sup>Note 1</sup>	Symbol	Test Conditions	MIN.	MAX.	Unit
NMI high-level width	$t_{WNIH}$		500 <sup>Note 2</sup>		ns
NMI low-level width	$t_{WNIL}$		500 <sup>Note 2</sup>		ns
INTPE <sub>m</sub> n, INT <sub>n</sub> <sup>Note 1</sup> high-level width	$t_{WITHA}$	Analog filter	500 <sup>Note 2</sup>		ns
IINTPE <sub>m</sub> n, INT <sub>n</sub> <sup>Note 1</sup> low-level width	$t_{WITLA}$	Analog filter	500 <sup>Note 2</sup>		ns
INTPE <sub>m</sub> n, INT <sub>n</sub> <sup>Note 1</sup> high-level width	$t_{WITHD}$	Digital filter	$5T_{sam}+10$ <sup>Note 3</sup>		ns
INTPE <sub>m</sub> n, INT <sub>n</sub> <sup>Note 1</sup> low-level width	$t_{WITLD}$	Digital filter	$5T_{sam}+10$ <sup>Note 3</sup>		ns

Notes: 1.  $m = 0 \sim 5, n = 0 \sim 2$

2. Design constraint is 100 ns

3.  $T_{SAM} = 1/f_{SAM}$  ( $f_{SAM}$  is set by register setting in filter.  $f_{SAM} = f_{CPU}$  or  $f_{CPU}/2$  or  $f_{CPU}/16$ )

Figure 3-8: Interrupt Timing



3.7 Peripheral Function Characteristics

3.7.1 Timer E

Table 3-13: Timer E Characteristics

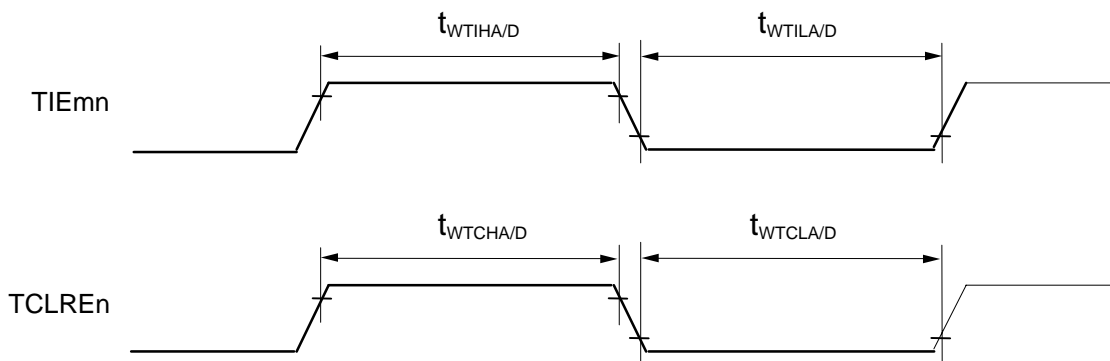
Parameter <sup>Note 1</sup>	Symbol	Test Conditions	MIN.	MAX.	Unit
TIE <sub>mn</sub> high-level width <sup>Note 1</sup>	$t_{WTIHA}$	no filter	$T$ <sup>Note 2</sup> + 10		ns
TIE <sub>mn</sub> low-level width <sup>Note 1</sup>	$t_{WTILA}$	no filter	$T$ <sup>Note 2</sup> + 10		ns
TCLRE <sub>n</sub> high-level width	$t_{WTCHA}$	no filter	$T$ <sup>Note 2</sup> + 10		ns
TCLRE <sub>n</sub> low-level width	$t_{WTCLA}$	no filter	$T$ <sup>Note 2</sup> + 10		ns
TIE <sub>mn</sub> high-level width <sup>Note 1</sup>	$t_{WTIHD}$	Digital filter	$5T_{sam}$ <sup>Note 3</sup> + 10		ns
TIE <sub>mn</sub> low-level width <sup>Note 1</sup>	$t_{WTILD}$	Digital filter	$5T_{sam}$ <sup>Note 3</sup> + 10		ns
TCLRE <sub>n</sub> high-level width	$t_{WTCHD}$	Digital filter	$5T_{sam}$ <sup>Note 3</sup> + 10		ns
TCLRE <sub>n</sub> low-level width	$t_{WTCLD}$	Digital filter	$5T_{sam}$ <sup>Note 3</sup> + 10		ns

Notes: 1.  $m = 0 - 5, n = 0 - 2$

2.  $T = 1/f_{CPU}$

3.  $T_{SAM} = 1/f_{SAM}$  ( $f_{SAM}$  is set by register setting in filter.  $f_{SAM} = f_{CPU}$  or  $f_{CPU}/2$  or  $f_{CPU}/16$ )

Figure 3-9: Timer E Characteristics



3.7.2 CSI

I

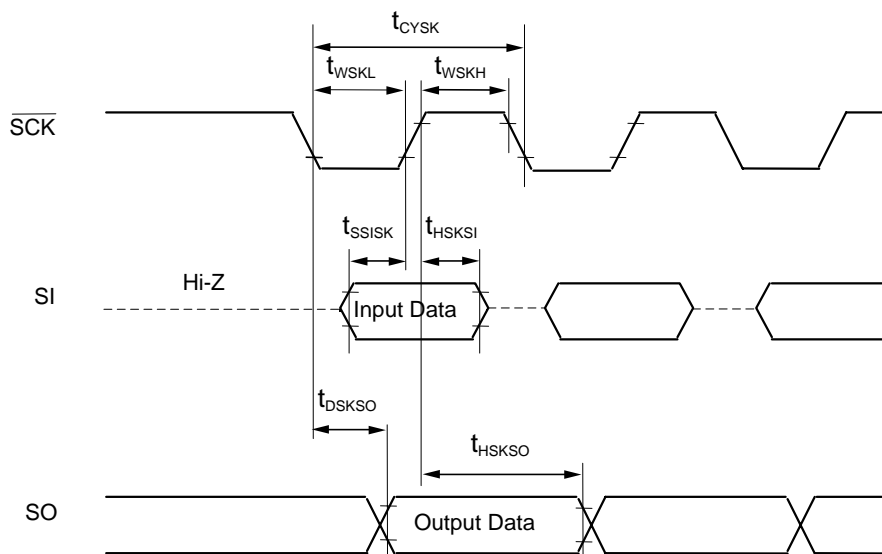
**Table 3-14: CSI Master Mode Characteristics**

Parameter	Symbol	Test Conditions	MIN.	MAX.	Unit
$\overline{\text{SCK}}$ cycle time	$t_{\text{CYSK}}$	Output	200		ns
$\overline{\text{SCK}}$ high level width	$t_{\text{WSKH}}$	Output	$0.5 t_{\text{CYSK}}-15$		ns
$\overline{\text{SCK}}$ low level width	$t_{\text{WSKL}}$	Output	$0.5 t_{\text{CYSK}}-15$		ns
SI set up time (to $\overline{\text{SCK}} \uparrow$ )	$t_{\text{SSISK}}$		45		ns
SI hold time (from $\overline{\text{SCK}} \uparrow$ )	$t_{\text{HSKSI}}$		45		ns
SO output delay time (from $\overline{\text{SCK}} \downarrow$ )	$t_{\text{DSKSO}}$			30	ns
SO output hold time (from $\overline{\text{SCK}} \uparrow$ )	$t_{\text{HSKSO}}$		$0.5 t_{\text{CYSK}}-5$		ns

**Table 3-15: CSI Slave Mode Characteristics**

Parameter	Symbol	Test Conditions	MIN.	MAX.	Unit
$\overline{\text{SCK}}$ cycle time	$t_{\text{CYSK}}$	Input	200		ns
$\overline{\text{SCK}}$ high level width	$t_{\text{WSKH}}$	Input	90		ns
$\overline{\text{SCK}}$ low level width	$t_{\text{WSKL}}$	Input	90		ns
SI set up time (to $\overline{\text{SCK}} \uparrow$ )	$t_{\text{SSISK}}$		50		ns
SI hold time (from $\overline{\text{SCK}} \uparrow$ )	$t_{\text{HSKSI}}$		50		ns
SO output delay time (from $\overline{\text{SCK}} \downarrow$ )	$t_{\text{DSKSO}}$			50	ns
SO output hold time (from $\overline{\text{SCK}} \uparrow$ )	$t_{\text{HSKSO}}$		$t_{\text{WSKH}}$		ns

**Figure 3-10: CSI Slave Mode Characteristics**



**3.7.3 UART**

**Table 3-16: UART Characteristics**

Parameter	Symbol	Test Conditions	MIN.	MAX.	Unit
Transfer rate	T <sub>UART</sub>	f <sub>CPU</sub> ≥ 5 MHz		312500	bps

**3.7.4 FVAN**

**Table 3-17: FVAN Characteristics**

Parameter	Symbol	Test Conditions	MIN.	MAX.	Unit
Transfer rate	T <sub>FVAN</sub>	f <sub>CPU</sub> ≥ 16 MHz		1	Mbps

**3.7.5 FCAN**

**Table 3-18: FCAN Characteristics**

Parameter	Symbol	Test Conditions	MIN.	MAX.	Unit
Transfer rate	T <sub>FCAN</sub>	f <sub>CPU</sub> ≥ 16 MHz		1	Mbps

3.7.6 A/D Converter

Table 3-19: A/D Converter Characteristics

( $T_A = -40 \sim +85^\circ\text{C}$ ,  $V_{DD5x} = 4.5 \sim 5.5 \text{ V}$ ,  $AV_{DD} = V_{DD5x}$ )

Parameter	Symbol	Test Cond.	MIN.	TYP.	MAX.	Unit
Resolution	-			10		Bit
Overall Error <b>Note 1</b>	-	$AV_{REF} = AV_{DD}$		$\pm 3$	$\pm 6$	LSB
Conversion Time <b>Note 2</b>	$t_{CONV}$		5			μs
Sampling Time <b>Note 3</b>	$t_{SAM}$		0.9			μs
Analogue Input Voltage	$V_{IAN}$		$AV_{SS}$		$AV_{REF}$	V
Reference Voltage	$AV_{REF}$		$AV_{SS}$		$AV_{DD}$	V
Reference Voltage Input Current <b>Note 4</b>	$I_{AVREF}$	$AV_{REF} = AV_{DD}$		1	2	mA

- Notes:**
1. Quantization error is not included
  2.  $t_{CONV}$  depends on register ADSCM1
  3.  $t_{SAM}$  depends on register ADSCM1
  4. If ADC is set to standby mode,  $AV_{REF}$  can be disconnected externally (left open) to reduce current consumption

3.7.7 Voltage Comparator Characteristics

Table 3-20: Voltage Comparator Characteristics

( $T_A = -40 \sim +85^\circ\text{C}$ ,  $V_{DD5x} = 4.5 \text{ V} \sim 5.5 \text{ V}$ )

Parameter	Symbol	Test Conditions	MIN.	TYP.	MAX.	Unit
Comparator Analog Input voltage	$V_{CIN}$		0		$V_{DD5x}$	V
Threshold voltage	$V_{TH}$	$V_{DD5x} = 4.5 \sim 5.5 \text{ V}$	1.1	1.25	1.4	V

3.8 FLASH EPROM Characteristics

**Table 3-21: Flash EPROM Programming Characteristics Basic Specification**

Parameter	Symbol	Test conditions	MIN.	TYP.	MAX.	Unit
Operation frequency	$f_X$		4		20	MHz
Supply voltage	$V_{DD5x}$		4.5		5.5	V
	$V_{PPL}$	Low input	-0.3		$V_{DD5x}$	V
	$V_{PPH}$	Programming mode	7.5	7.8	8.1	V
Maximum times of reprogramming	$C_{WRT}$				100	times
Write time	$T_{IWRTW}$	Word (32-bit) <b>Note 1</b>		50	200	μs
Write Back time / block	$T_{WBACK}$	<b>Note1</b>			10	s
Erase time	$T_{ERASCB}$	block (128 KByte) <b>Note 1</b>		2	30	s
	$T_{ERASCC}$	chip (256 KByte) <b>Note 1</b>		20	60	s
Programming temperature	$T_{PRG}$		0		+70	°C
Erase / Write current	$I_{PPE/W}$	$V_{PPH} = TYP.$ <b>Note 2</b>			100	mA

- Notes:**
1. Exclusive recovery time, firmware execution and verify
  2. Measured condition after TPE (erase-time) = 100 mS

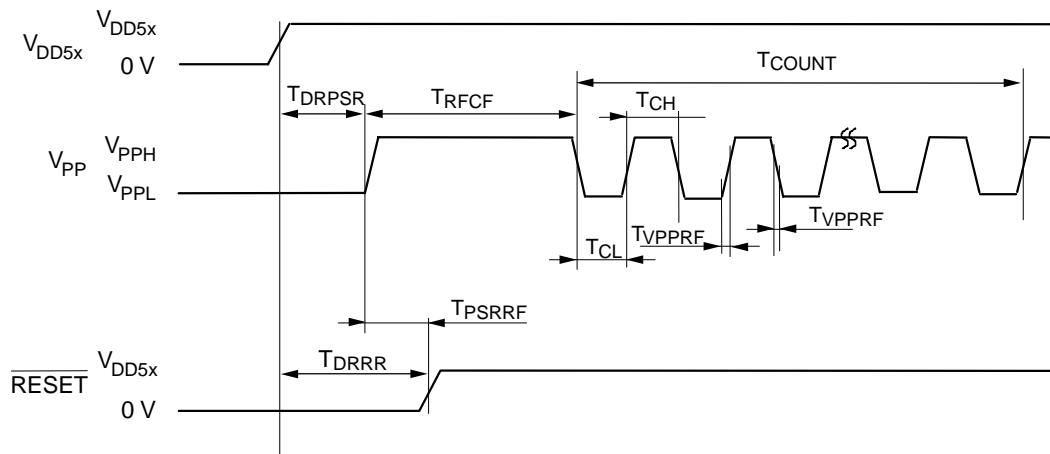


**Table 3-22: Flash EPROM Serial Programming Operation Characteristics**

Parameter	Symbol	Test conditions	MIN.	TYP.	MAX.	Unit
$V_{DD}\uparrow$ setup time (to $\overline{\text{RESET}}\uparrow$ )	$T_{\text{DRRR}}$		10			ms
$V_{DD}\uparrow$ setup time (to $V_{PP}\uparrow$ )	$T_{\text{DRPSR}}$		10			μs
$V_{PP}\uparrow$ set time (to $\overline{\text{RESET}}\uparrow$ )	$T_{\text{PSRRF}}$		1.0			μs
Count start setup time from $V_{PP}\uparrow$	$T_{\text{RFCF}}$		5T <b>Note</b> + 500			μs
Times of $V_{PP}$ counting	$T_{\text{COUNT}}$				10	ms
$V_{PP}$ count Hi/Low level width	$T_{\text{CH}}, T_{\text{CL}}$		1.0			μs
$V_{PP}$ count rise/fall time	$T_{\text{VPPRF}}$				0.2	ms

**Note:**  $T = 1/f_{\text{CPU}}$

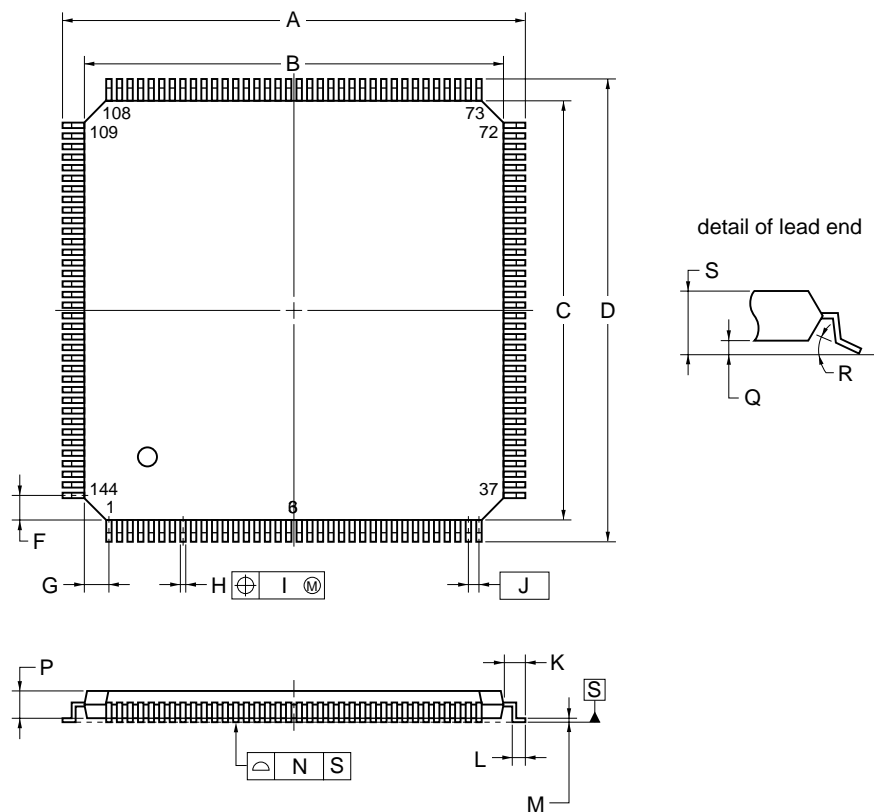
**Figure 3-11: Flash EPROM Programming Timing**



4. PACKAGE DRAWING

Figure 4-1: Package Drawing

144-PIN PLASTIC LQFP (FINE PITCH) (20x20)



NOTE

Each lead centerline is located within 0.08 mm of its true position (T.P.) at maximum material condition.

ITEM	MILLIMETERS
A	22.0±0.2
B	20.0±0.2
C	20.0±0.2
D	22.0±0.2
F	1.25
G	1.25
H	0.22±0.05
I	0.08
J	0.5 (T.P.)
K	1.0±0.2
L	0.5±0.2
M	0.17 <sup>+0.03</sup> <sub>∓0.07</sub>
N	0.08
P	1.4
Q	0.10±0.05
R	3°+4° ∓3°
S	1.5±0.1

S144GJ-50-UEN

**5. RECOMMENDED SOLDERING CONDITIONS**

Solder this product under the following recommended conditions.

For details of the recommended soldering conditions, refer to information document Semiconductor Device:

**Mounting Technology Manual (C10535E).**

For soldering methods and conditions other than those recommended, consult NEC.

**Table 5-1: Soldering Conditions**

<b>Soldering Method</b>	<b>Soldering Condition</b>	<b>Symbol of Recommended Soldering Condition</b>
Infrared reflow	Package peak temperature: 230°C, Time: 30 seconds max. (210°C min.), Number of times: 2 max., Number of days: 3 <b>Note 1</b>	IR30-103-2
VPS	Package peak temperature: 215°C, Time: 30 seconds max. (210°C min.), Number of times: 2 max., Number of days: 3 <b>Note 1</b>	VP15-103-2
Partial heating	Pin temperature: 300°C max., Time: 3 seconds max. (per side of device)	-

**Notes: 1.** After that, prebaking is necessary at 125°C for 10 hours.

**2.** The number of days refers to storage at 25°C, 65% RH MAX after the dry pack has been opened.

**Caution: Do not use two or more soldering methods in combination (except partial heating method).**

NOTES FOR CMOS DEVICES

① PRECAUTION AGAINST ESD FOR SEMICONDUCTORS

Note:

Strong electric field, when exposed to a MOS device, can cause destruction of the gate oxide and ultimately degrade the device operation. Steps must be taken to stop generation of static electricity as much as possible, and quickly dissipate it once, when it has occurred. Environmental control must be adequate. When it is dry, humidifier should be used. It is recommended to avoid using insulators that easily build static electricity. Semiconductor devices must be stored and transported in an anti-static container, static shielding bag or conductive material. All test and measurement tools including work bench and floor should be grounded. The operator should be grounded using wrist strap. Semiconductor devices must not be touched with bare hands. Similar precautions need to be taken for PW boards with semiconductor devices on it.

② HANDLING OF UNUSED INPUT PINS FOR CMOS

Note:

No connection for CMOS device inputs can be cause of malfunction. If no connection is provided to the input pins, it is possible that an internal input level may be generated due to noise, etc., hence causing malfunction. CMOS devices behave differently than Bipolar or NMOS devices. Input levels of CMOS devices must be fixed high or low by using a pull-up or pull-down circuitry. Each unused pin should be connected to  $V_{DD}$  or GND with a resistor, if it is considered to have a possibility of being an output pin. All handling related to the unused pins must be judged device by device and related specifications governing the devices.

③ STATUS BEFORE INITIALIZATION OF MOS DEVICES

Note:

Power-on does not necessarily define initial status of MOS device. Production process of MOS does not define the initial operation status of the device. Immediately after the power source is turned ON, the devices with reset function have not yet been initialized. Hence, power-on does not guarantee out-pin levels, I/O settings or contents of registers. Device is not initialized until the reset signal is received. Reset operation must be executed immediately after power-on for devices having reset function.

**6. REVISION HISTORY**

Version	Date (xx.xx.2002)	Author	Remarks
0.1	25.05.2000	E. Gebing	1st Preparation PPI
1.0	23.05.2001	E. Gebing	Preliminary Data Sheet
2.0	14.01.2002	E.Gebing	Data Sheet
2.1	23.01.2002	E.Gebing	Data Sheet

## Regional Information

Some information contained in this document may vary from country to country. Before using any NEC product in your application, please contact the NEC office in your country to obtain a list of authorized representatives and distributors. They will verify:

- Device availability
- Ordering information
- Product release schedule
- Availability of related technical literature
- Development environment specifications (for example, specifications for third-party tools and components, host computers, power plugs, AC supply voltages, and so forth)
- Network requirements

In addition, trademarks, registered trademarks, export restrictions, and other legal issues may also vary from country to country.

**NEC Electronics Inc. (U.S.)**

Santa Clara, California  
 Tel: 408-588-6000  
 800-366-9782  
 Fax: 408-588-6130  
 800-729-9288

**NEC Electronics (Europe) GmbH**

Duesseldorf, Germany  
 Tel: 0211-65 03 01  
 Fax: 0211-65 03 327

- Branch The Netherlands  
 Eindhoven, The Netherlands  
 Tel: 040-244 58 45  
 Fax: 040-244 45 80

- Branch Sweden  
 Taebby, Sweden  
 Tel: 08-63 80 820  
 Fax: 08-63 80 388

**NEC Electronics (France) S.A.**

Vélizy-Villacoublay, France  
 Tel: 01-3067-58-00  
 Fax: 01-3067-58-99

**NEC Electronics (France) S.A.  
 Representación en España**

Madrid, Spain  
 Tel: 091-504-27-87  
 Fax: 091-504-28-60

**NEC Electronics Italiana S.R.L.**

Milano, Italy  
 Tel: 02-66 75 41  
 Fax: 02-66 75 42 99

**NEC Electronics (UK) Ltd.**

Milton Keynes, UK  
 Tel: 01908-691-133  
 Fax: 01908-670-290

**NEC Electronics Hong Kong Ltd.**

Hong Kong  
 Tel: 2886-9318  
 Fax: 2886-9022/9044

**NEC Electronics Hong Kong Ltd.**

Seoul Branch  
 Seoul, Korea  
 Tel: 02-528-0303  
 Fax: 02-528-4411

**NEC Electronics Singapore Pte. Ltd.**

Novena Square, Singapore  
 Tel: 253-8311  
 Fax: 250-3583

**NEC Electronics Taiwan Ltd.**

Taipei, Taiwan  
 Tel: 02-2719-2377  
 Fax: 02-2719-5951

**NEC do Brasil S.A.**

Electron Devices Division  
 Guarulhos-SP, Brasil  
 Tel: 11-6462-6810  
 Fax: 11-6462-6829

J01.2

**MS-DOS and MS-Windows are either registered trademarks or trademarks of Microsoft Corporation in the United States and/or other countries.**

**PC/AT and PC DOS are trademarks of IBM Corp.**

The related documents in this publication may include preliminary versions. However, preliminary versions are not marked as such.

The export of this product from Japan is regulated by the Japanese government. To export this product may be prohibited without governmental license, the need for which must be judged by the customer. The export or re-export of this product from a country other than Japan may also be prohibited without a license from that country. Please call an NEC sales representative.

The information in this document is current as of 23.01.2002. The information is subject to change without notice. For actual design-in, refer to the latest publications of NEC's data sheets or data books, etc., for the most up-to-date specifications of NEC semiconductor products. Not all products and/or types are available in every country. Please check with an NEC sales representative for availability and additional information. No part of this document may be copied or reproduced in any form or by any means without prior written consent of NEC. NEC assumes no responsibility for any errors that may appear in this document. NEC does not assume any liability for infringement of patents, copyrights or other intellectual property rights of third parties by or arising from the use of NEC semiconductor products listed in this document or any other liability arising from the use of such products. No license, express, implied or otherwise, is granted under any patents, copyrights or other intellectual property rights of NEC or others. Descriptions of circuits, software and other related information in this document are provided for illustrative purposes in semiconductor product operation and application examples. The incorporation of these circuits, software and information in the design of customer's equipment shall be done under the full responsibility of customer. NEC assumes no responsibility for any losses incurred by customers or third parties arising from the use of these circuits, software and information. While NEC endeavours to enhance the quality, reliability and safety of NEC semiconductor products, customers agree and acknowledge that the possibility of defects thereof cannot be eliminated entirely. To minimize risks of damage to property or injury (including death) to persons arising from defects in NEC semiconductor products, customers must incorporate sufficient safety measures in their design, such as redundancy, fire-containment and anti-failure features. NEC semiconductor products are classified into the following three quality grades: "Standard", "Special" and "Specific". The "Specific" quality grade applies only to semiconductor products developed based on a customer-designated "quality assurance program" for a specific application. The recommended applications of a semiconductor product depend on its quality grade, as indicated below. Customers must check the quality grade of each semiconductor product before using it in a particular application.

"Standard": Computers, office equipment, communications equipment, test and measurement equipment, audio and visual equipment, home electronic appliances, machine tools, personal electronic equipment and industrial robots.

"Special": Transportation equipment (automobiles, trains, ships, etc.), traffic control systems, anti-disaster systems, anti-crime systems, safety equipment and medical equipment (not specifically designed for life support).

"Specific": Aircrafts, aerospace equipment, submersible repeaters, nuclear reactor control systems, life support systems or medical equipment for life support, etc.

The quality grade of NEC semiconductor products is "Standard" unless otherwise expressly specified in NEC's data sheets or data books, etc.

If customers wish to use NEC semiconductor products in applications not intended by NEC, they must contact an NEC sales representative in advance to determine NEC's willingness to support a given application.

**Notes:** (1) "NEC" as used in this statement means NEC Corporation and also includes its majority-owned subsidiaries.

(2) "NEC semiconductor products" means any semiconductor product developed or manufactured by or for NEC (as defined above).

M5 2000.03





## Facsimile Message

From:

\_\_\_\_\_  
Name

\_\_\_\_\_  
Company

\_\_\_\_\_  
Tel.

\_\_\_\_\_  
FAX

\_\_\_\_\_  
Address

Although NEC has taken all possible steps to ensure that the documentation supplied to our customers is complete, bug free and up-to-date, we readily accept that errors may occur. Despite all the care and precautions we've taken, you may encounter problems in the documentation. Please complete this form whenever you'd like to report errors or suggest improvements to us.

**Thank you for your kind support.**

**North America**

NEC Electronics Inc.  
Corporate Communications Dept.  
Fax: +1-800-729-9288  
+1-408-588-6130

**Hong Kong, Philippines, Oceania**

NEC Electronics Hong Kong Ltd.  
Fax: +852-2886-9022/9044

**Asian Nations except Philippines**

NEC Electronics Singapore Pte. Ltd.  
Fax: +65-250-3583

**Europe**

NEC Electronics (Europe) GmbH  
Market Communication Dept.  
Fax: +49-211-6503-274

**Korea**

NEC Electronics Hong Kong Ltd.  
Seoul Branch  
Fax: +82-2-528-4411

**Japan**

NEC Semiconductor Technical Hotline  
Fax: +81- 44-435-9608

**South America**

NEC do Brasil S.A.  
Fax: +55-11-6462-6829

**Taiwan**

NEC Electronics Taiwan Ltd.  
Fax: +886-2-2719-5951

I would like to report the following error/make the following suggestion:

Document title: \_\_\_\_\_

Document number: \_\_\_\_\_ Page number: \_\_\_\_\_

If possible, please fax the referenced page or drawing.

<b>Document Rating</b>	Excellent	Good	Acceptable	Poor
Clarity	<input type="checkbox"/>	<input type="checkbox"/>	<input type="checkbox"/>	<input type="checkbox"/>
Technical Accuracy	<input type="checkbox"/>	<input type="checkbox"/>	<input type="checkbox"/>	<input type="checkbox"/>
Organization	<input type="checkbox"/>	<input type="checkbox"/>	<input type="checkbox"/>	<input type="checkbox"/>

[MEMO]