

**PLEASE CHECK WWW.MOLEX.COM FOR LATEST PART INFORMATION**

**Part Number:** [0008650804](#)  
**Status:** **Active**  
**Overview:** [kk](#)  
**Description:** KK® Cat Ear Crimp Terminal 41572, Reel Tin (Sn)

**Documents:**

[Drawing \(PDF\)](#) [RoHS Certificate of Compliance \(PDF\)](#)

**General**

Product Family Crimp Terminals  
 Series [41572](#)  
 Crimp Quality Equipment Yes  
 Overview [kk](#)  
 Product Name Cat Ear, KK®

**Physical**

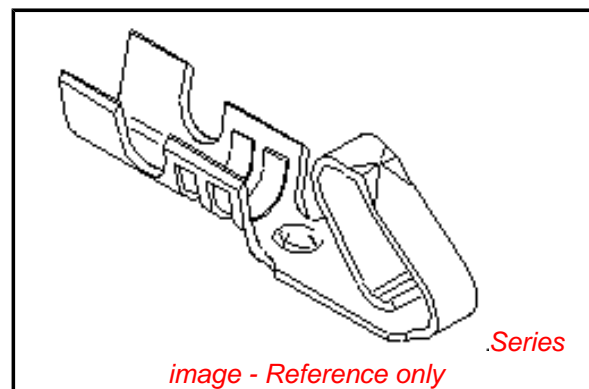
Gender Female  
 Material - Metal Phosphor Bronze  
 Material - Plating Mating Tin  
 Material - Plating Termination Tin  
 Packaging Type Reel  
 Plating min: Mating (µin) 100  
 Plating min: Mating (µm) 2.50  
 Plating min: Termination (µin) 100  
 Plating min: Termination (µm) 2.50  
 Termination Interface: Style Crimp or Compression  
 Wire Insulation Diameter 1.57mm (.062") max.  
 Wire Size AWG 22, 24, 26, 28, 30  
 Wire Size mm² N/A

**Material Info**

Old Part Number 41572-A(P909)

**Reference - Drawing Numbers**

Product Specification RPS-7478-001  
 Sales Drawing SD-41572



**EU RoHS**

**ELV and RoHS  
Compliant**

**REACH SVHC**

**Contains SVHC: No  
Halogen-Free**

**Status**

**Halogen-Free**

**China RoHS**



**Need more information on product  
environmental compliance?**

Email [productcompliance@molex.com](mailto:productcompliance@molex.com)  
 For a multiple part number RoHS Certificate of Compliance, [click here](#)

Please visit the [Contact Us](#) section for any non-product compliance questions.

**Search Parts in this Series**

[41572Series](#)

**Application Tooling | [FAQ](#)**

*Tooling specifications and manuals are found by selecting the products below. Crimp Height Specifications are then contained in the Application Tooling Specification document.*

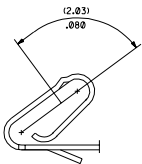
**Global**

Description	Product #
Extraction Tool	<a href="#">0011030022</a>
Terminator Die	<a href="#">0011402265</a>
Insertion Tool	<a href="#">0638120000</a>
Mini-Mac™	<a href="#">0638882000</a>
Applicator, Use with Large Wire Insulation Diameter	
Mini-Mac™	<a href="#">0638882100</a>
Applicator, Use with Small Wire Insulation Diameter	

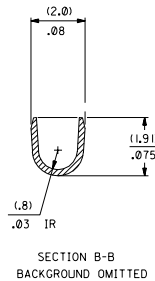
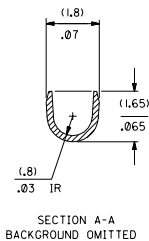
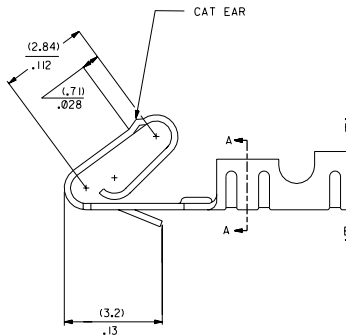
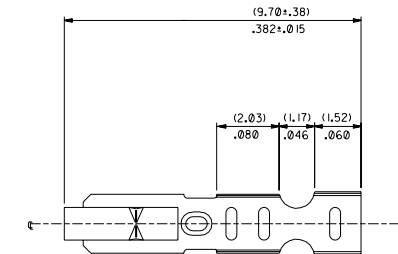
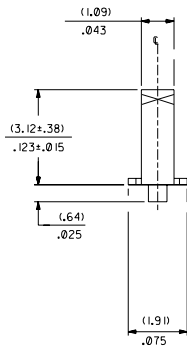
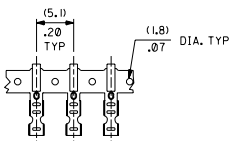
This document was generated on 06/01/2010

**PLEASE CHECK [WWW.MOLEX.COM](http://WWW.MOLEX.COM) FOR LATEST PART INFORMATION**

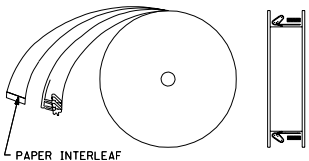
SELECT GOLD LOCATION



CARRIER VIEW

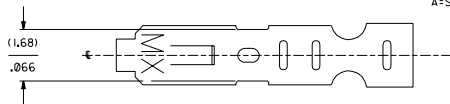


WINDING DETAIL B



- NOTES:
1. CRIMP IS FOR 22-30 GA WIRE, WITH .062 DIA INSULATION MAX.
  2. INSERTION FORCE OF TERMINAL INTO .100 & CONNECTOR IS 2.5 LBS. MAX
  3. TERMINALS MUST RETAIN 8 LBS PULL FOR 1 MIN. IN KK .100 & HOUSING.
  4. PARTS CONFORM TO PS-10-07
  5. MATERIAL: .0080+.0004 THICK PHOS BRONZE ALLOY 510
  6. DIMENSIONS GIVEN ACROSS CENTERLINES ARE SYMMETRICAL ABOUT THOSE CENTERLINES WITHIN HALF THE TOTAL TOLERANCE.

41572-\*(\*\*\*)\*  
 MATERIAL L=LOOSE  
 A=SEE NOTE 5 FORM  
 BLANK=CHAIN PER DETAIL A



PLATING  
 PER SDES-88  
 \*P909) OVERALL HOT TIN DTP: .00254 MICROMETERS MIN  
 (550) SELECT GOLD: .00038 MICROMETERS MIN.  
 OVERALL GOLD FLASH: .00005 MICROMETERS MIN.  
 OVERALL NICKEL UNDERPLATE: .00076 MICROMETERS MIN.  
 (555) SELECT GOLD: .00038 MICROMETERS MIN.  
 OVERALL NICKEL UNDERPLATE: .00076 MICROMETERS MIN.

\*THE PRIMARY SHIPPING CARTON WILL BE LABELED 'COMPLIANT TO RoHS DIRECTIVE 2002/95/EC AND ELV ANNEX II) OF DIRECTIVE 2000/53/EC.' CARTONS WITHOUT THIS LABEL MAY CONTAIN PRODUCT WITH TIN-LEAD PLATING.

PART NO.	ENG NO.
08-65-0804	41572-A(P909)
08-65-0805	41572-A(P909)L
	41572-A(555)
	41572-A(555)L
	41572-A(550)
	41572-A(550)L

D	CHG P913 TO P909 10/2004-181 K-S-SCHAEFER
C	ADD TO CAD ECR U30423 3-19-93 SAMIEC

DIMENSIONS SHOWN METRIC INCH		REV. = 0		REVISE ONLY ON CAD SYSTEM	
TITLE		MFG. SH.		LTR.	
CRIMP TERMINAL					
22-30 GA WIRE					
SAME AS 6459 EXCEPT CAT EAR					
MOLEX INCORPORATED		SHEET NO.		DATE	
MOLEX INC. 60350 N.W. 18TH AVENUE, GAITHERSBURG, MD 20878		1 OF 1		3/19/93	
PART NO.		DRAWING NO.		U.S.A.	
41572-A(550)		SD-41572			
DRAWN BY: SAMIEC		CHKD. BY: PATEL		DATE: 10/2004	
APP'D: LENZ		SCALE: 1		MATERIAL: 541572X1	