

INTEGRATED MODULAR JACK

10/100 Base TX RJ45 2xN Port

Options: 2x1, 2x4, 2x6, 2x8 Port

Meets or exceeds IEEE 802.3 standard for 10/100 Base-TX

Available with or without LEDs

350 uH minimum OCL with 8mA DC bias current

Minimum 1500Vrms isolation per IEEE802.3 requirement

Operating temperature 0°C to +70°C

Storage temperature -40°C to +85°C

Patent No.:

Taiwan - M288027, M287944, file94219539

U.S.A. - file11/274,137 file11/284,812 file11/304,735

Japan - 3119145, 3119556, 3119683

Germany - 20 2005 029 158.2, 20 2005 019 160.4, 20 2005 019 479.4

TRANSFORMER ELECTRICAL SPECIFICATIONS AT 25°C

Part Number	Turns Ratio	LEDs	Insertion Loss (dB max.)	Return Loss 100Ω±15Ω (dB min.)				Cross talk (dB min.)			C.M.R. (dB min.)		Hi - pot (Vrms)
	TX, RX	L / R	1-100 MHz	1-30 MHz	30-60 MHz	60-80 MHz	80-100 MHz	1-30 MHz	30-60 MHz	60-100 MHz	1-60 MHz	60-100 MHz	60Hz/1min
M29TS-606120A	1CT:1CT	N / A	-1.0	-18	-16	-12	-10	-40	-35	-30	-40	-30	1500
M29TS-606260A	1CT:1CT	N / A	-1.0	-18	-16	-12	-10	-40	-35	-30	-40	-30	1500
M29TS-606121A	1CT:1CT	G / Y	-1.0	-18	-16	-12	-10	-40	-35	-30	-40	-30	1500
M29TS-606261A	1CT:1CT	G / Y	-1.0	-18	-16	-12	-10	-40	-35	-30	-40	-30	1500
M29TS-706120A	1CT:1CT	N / A	-1.0	-18	-16	-12	-10	-40	-35	-30	-40	-30	1500
M29TS-706260A	1CT:1CT	N / A	-1.0	-18	-16	-12	-10	-40	-35	-30	-40	-30	1500
M29TS-706121A	1CT:1CT	G / Y	-1.0	-18	-16	-12	-10	-40	-35	-30	-40	-30	1500
M29TS-706261A	1CT:1CT	G / Y	-1.0	-18	-16	-12	-10	-40	-35	-30	-40	-30	1500
M29TS-806120A	1CT:1CT	N / A	-1.0	-18	-16	-12	-10	-40	-35	-30	-40	-30	1500
M29TS-806260A	1CT:1CT	N / A	-1.0	-18	-16	-12	-10	-40	-35	-30	-40	-30	1500
M29TS-806121A	1CT:1CT	G / Y	-1.0	-18	-16	-12	-10	-40	-35	-30	-40	-30	1500
M29TS-806261A	1CT:1CT	G / Y	-1.0	-18	-16	-12	-10	-40	-35	-30	-40	-30	1500
M29TS-906120A	1CT:1CT	N / A	-1.0	-18	-16	-12	-10	-40	-35	-30	-40	-30	1500
M29TS-906260A	1CT:1CT	N / A	-1.0	-18	-16	-12	-10	-40	-35	-30	-40	-30	1500
M29TS-906121A	1CT:1CT	G / Y	-1.0	-18	-16	-12	-10	-40	-35	-30	-40	-30	1500
M29TS-906261A	1CT:1CT	G / Y	-1.0	-18	-16	-12	-10	-40	-35	-30	-40	-30	1500

NOTES : 1. LEDs G=green, Y=yellow, O=orange, N/A=none

2. C.M.R. = Common Mode Rejection

MATERIAL SPECIFICATION

Metal Shell : Copper Alloy, Finish: 50u" Nickel

Housing / Bottom Cover : Thermoplastic , UL 94V-0, Color Black

Insert : Thermoplastic , UL 94V-0, Color Black

Contact Terminal / Phosphor Bronze

15u" Gold on Contact Area, 100u" Tin on Solder, Both over 50u" Nickel Under-Plated

Coil Base : Thermoplastic , UL 94V-0, Color Black



RoHS Compliant

NOTE : Specifications subject to change without notice. Please check our website for latest information.

12.05.2008



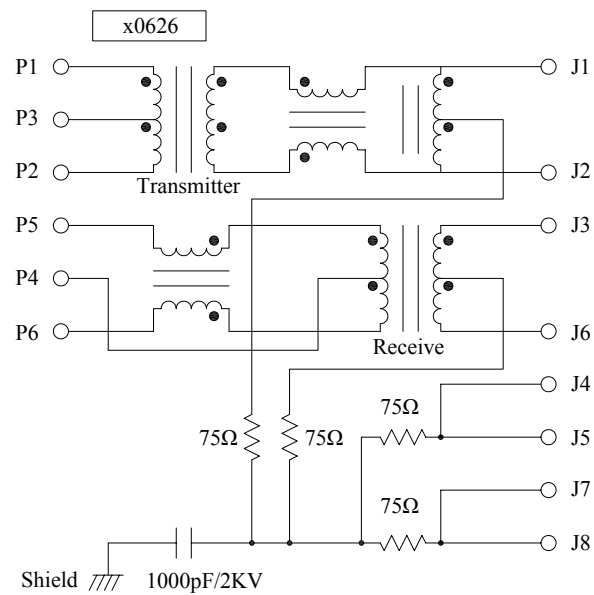
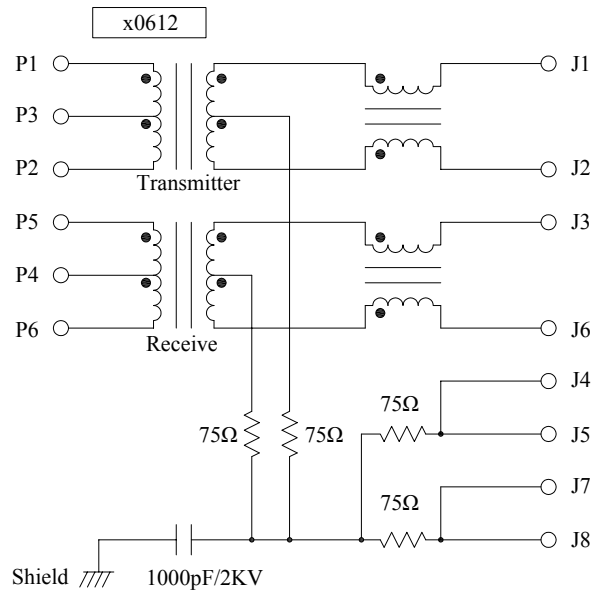
SUPERWORLD ELECTRONICS (S) PTE LTD

PG. 1

INTEGRATED MODULAR JACK

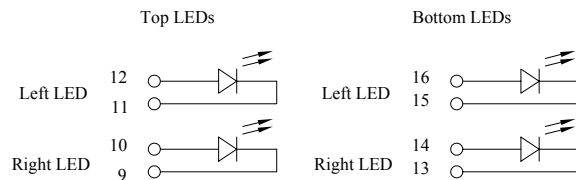
10/100 Base TX RJ45 2xN Port

SCHEMATIC



LED CONFIGURATION

Standard LED	Wavelength(λ)	V / IF=20mA	
		max.	typ.
Yellow	585nm	2.5 V	2.1 V
Green	570nm	2.5 V	2.1 V
Orange	605nm	2.5 V	2.1 V



RoHS Compliant

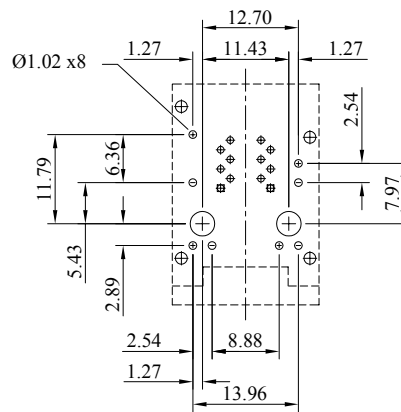
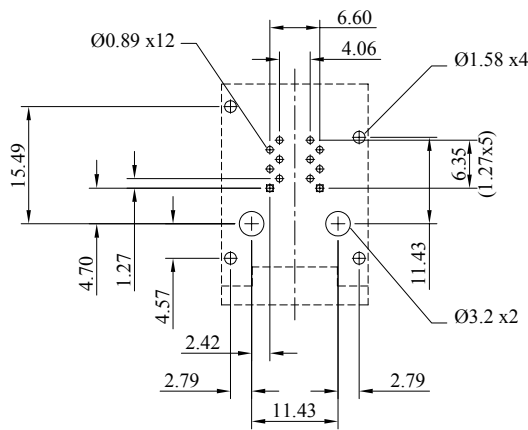
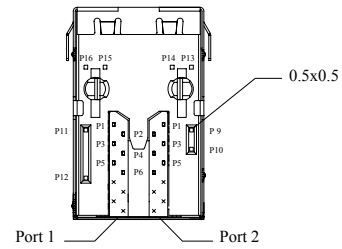
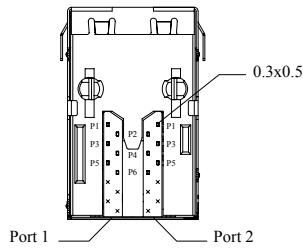
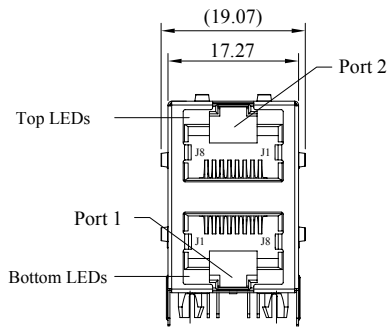
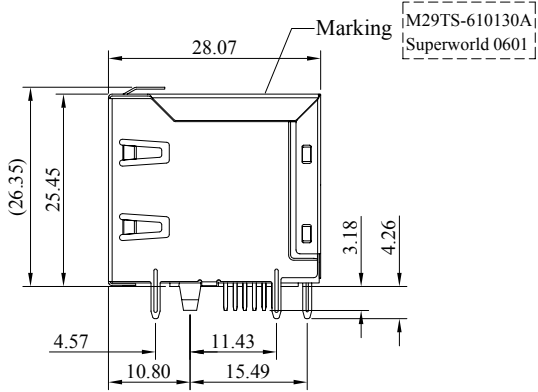
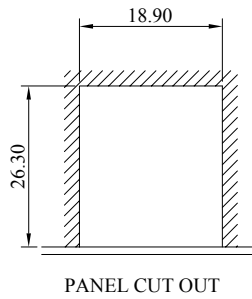
NOTE : Specifications subject to change without notice. Please check our website for latest information.

12.05.2008

INTEGRATED MODULAR JACK

10/100 Base TX RJ45 2xN Port

MECHANICAL : M29TS-606xxxB (2x1)



Suggested PCB Pad Layout
Component Side View

- NOTES : 1. Tolerance : PCB $\pm 0.05\text{mm}$
Connector $\pm 0.25\text{mm}$
2. Connector dimensions comply with FCC 68.5 dimension requirements



RoHS Compliant

NOTE : Specifications subject to change without notice. Please check our website for latest information.

12.05.2008

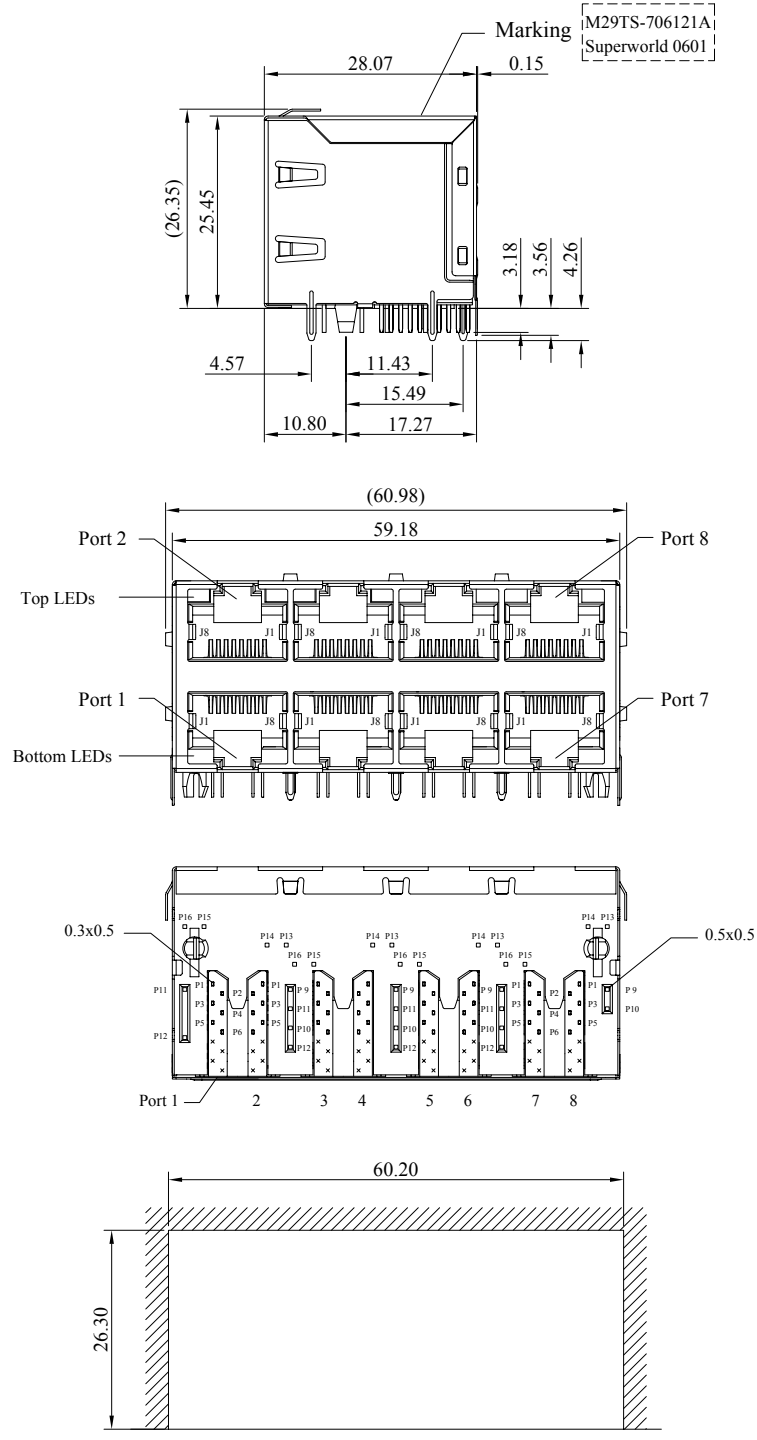


SUPERWORLD ELECTRONICS (S) PTE LTD

INTEGRATED MODULAR JACK

10/100 Base TX RJ45 2xN Port

MECHANICAL : M29TS-706xxxB (2x4)



PANEL CUTOUT



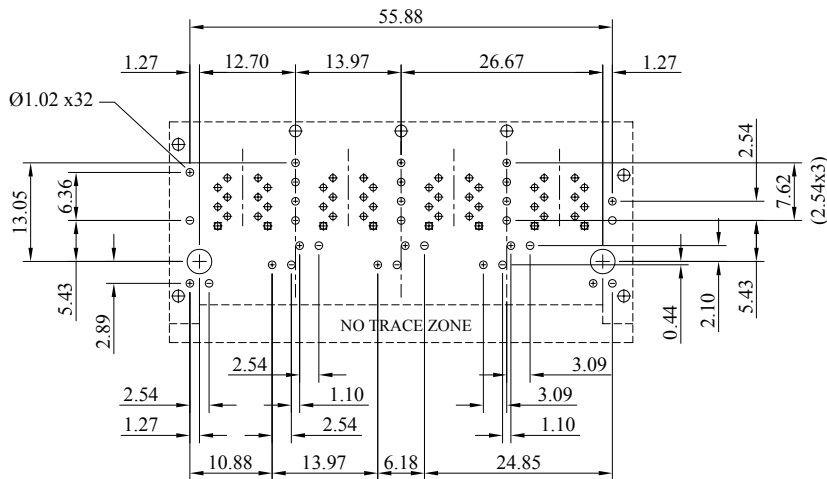
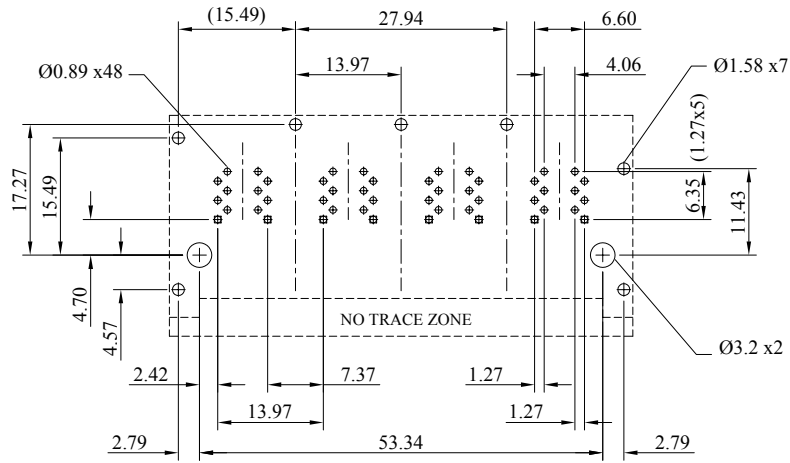
RoHS Compliant

NOTE : Specifications subject to change without notice. Please check our website for latest information.

12.05.2008



SUPERWORLD ELECTRONICS (S) PTE LTD



Suggested PCB Pad Layout
Component Side View

- NOTES : 1. Tolerance : PCB $\pm 0.05\text{mm}$
Connector $\pm 0.25\text{mm}$
- 2. Connector dimensions comply with FCC 68.5 dimension requirements



RoHS Compliant

NOTE : Specifications subject to change without notice. Please check our website for latest information.

12.05.2008

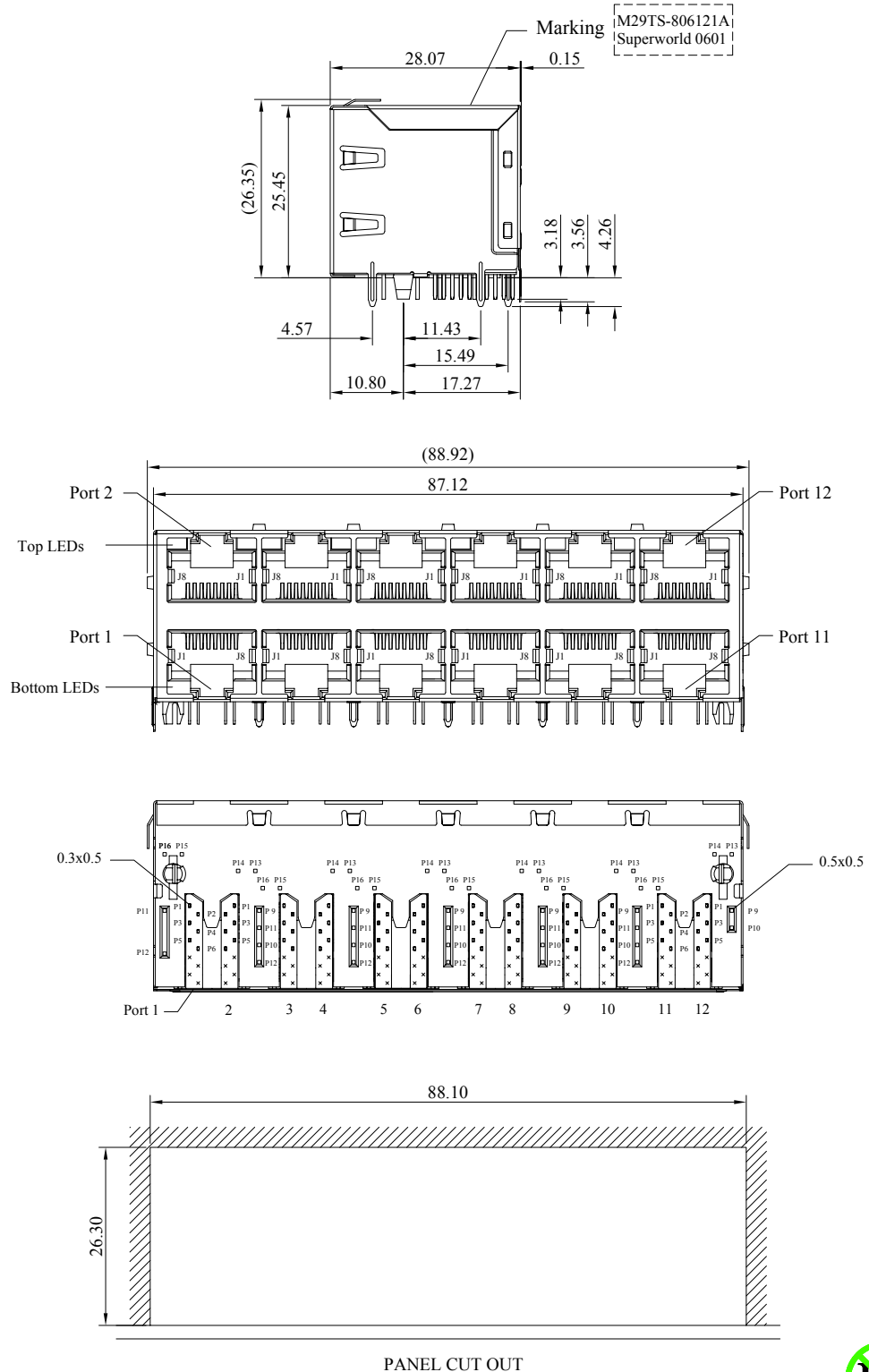


SUPERWORLD ELECTRONICS (S) PTE LTD

INTEGRATED MODULAR JACK

10/100 Base TX RJ45 2xN Port

MECHANICAL : M29TS-806xxxB (2x6)



NOTE : Specifications subject to change without notice. Please check our website for latest information.

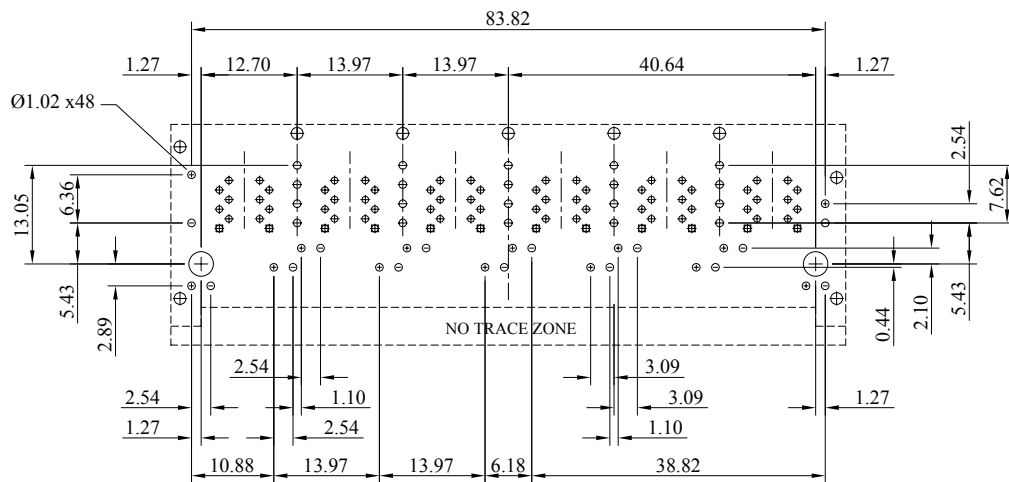
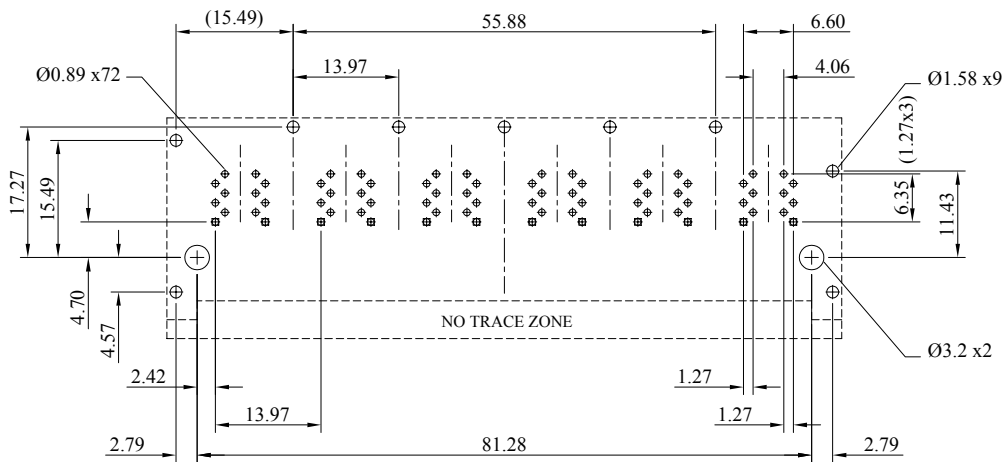


RoHS Compliant

12.05.2008

INTEGRATED MODULAR JACK

10/100 Base TX RJ45 2xN Port



Suggested PCB Pad Layout
Component Side View

- NOTES : 1. Tolerance : PCB ± 0.05 mm
Connector ± 0.25 mm
2. Connector dimensions comply with FCC 68.5 dimension requirements



RoHS Compliant

NOTE : Specifications subject to change without notice. Please check our website for latest information.

12.05.2008

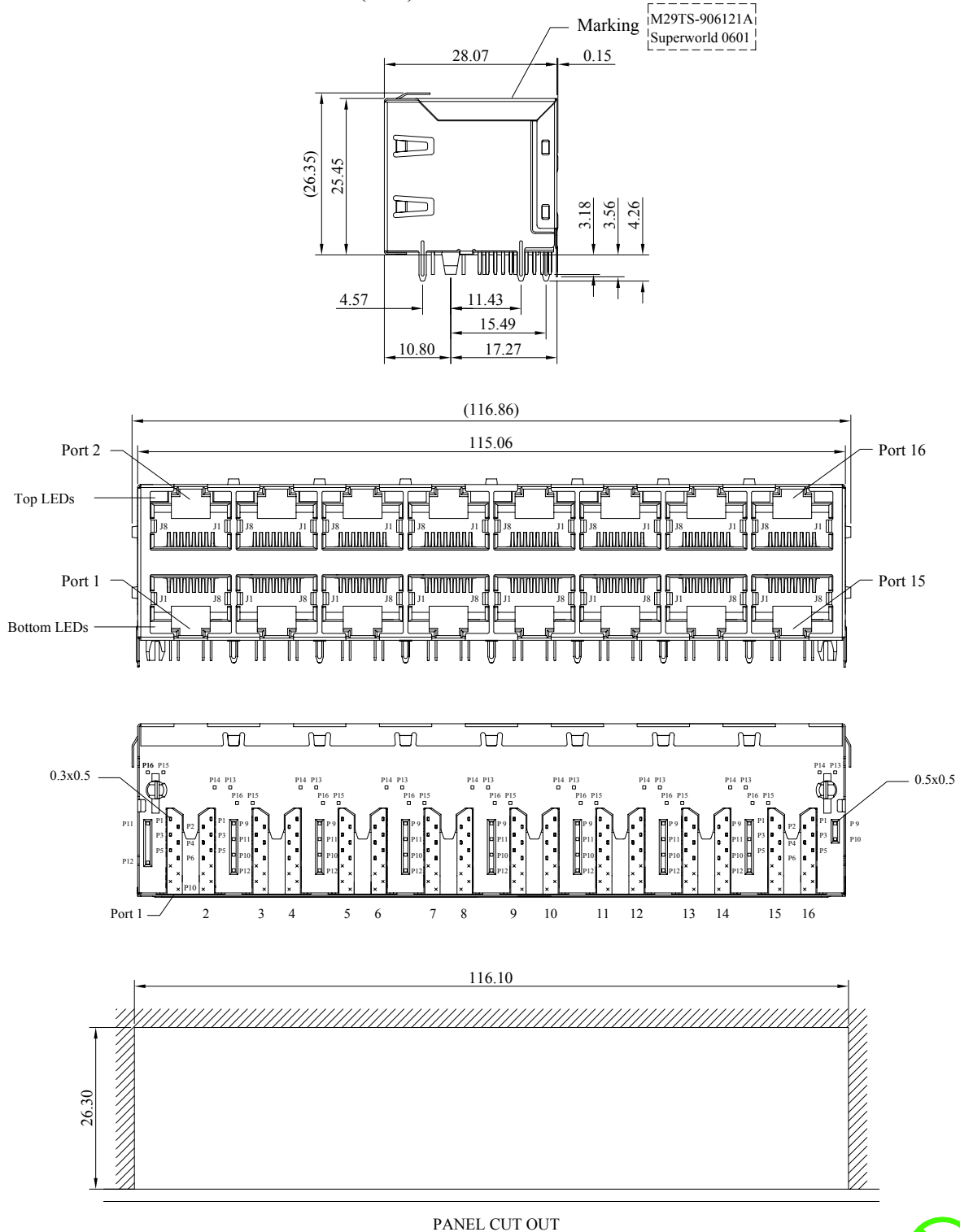


SUPERWORLD ELECTRONICS (S) PTE LTD

INTEGRATED MODULAR JACK

10/100 Base TX RJ45 2xN Port

MECHANICAL : M29TS-906xxxA (2x8)



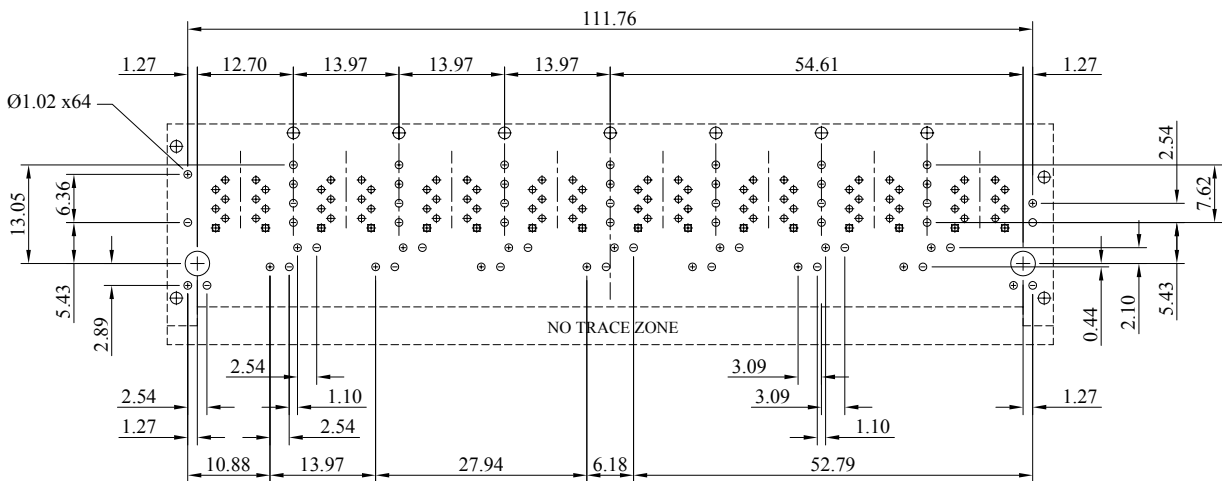
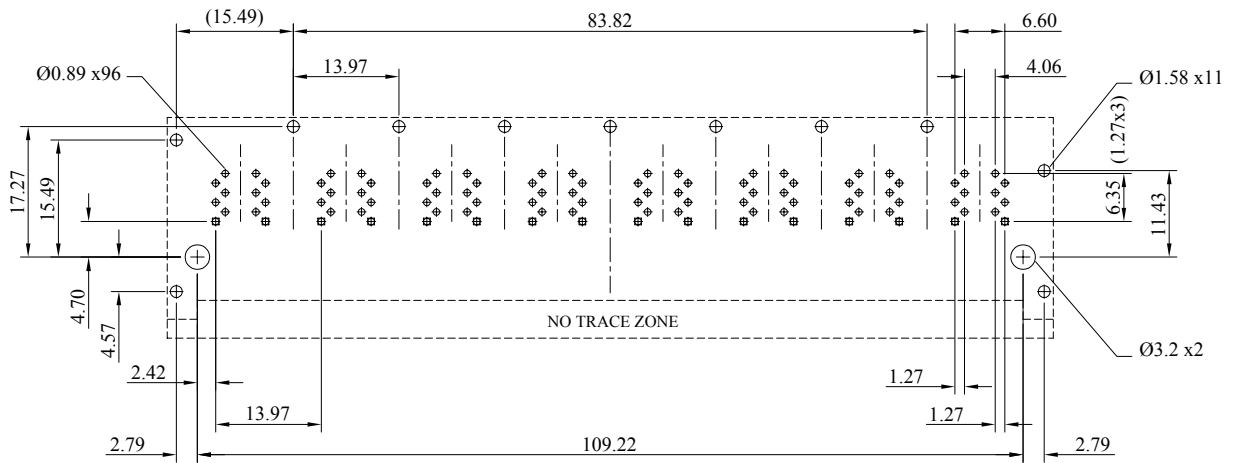
RoHS Compliant

NOTE : Specifications subject to change without notice. Please check our website for latest information.

12.05.2008

INTEGRATED MODULAR JACK

10/100 Base TX RJ45 2xN Port



Suggested PCB Pad Layout
Component Side View

- NOTES : 1. Tolerance : PCB $\pm 0.05\text{mm}$
 Connector $\pm 0.25\text{mm}$
 2. Connector dimensions comply with FCC 68.5 dimension requirements



RoHS Compliant

NOTE : Specifications subject to change without notice. Please check our website for latest information.

12.05.2008