

Quad Ports 10/100 Base-TX High Speed LAN Magnetic Modules For Various Transceiver ICs

- Designed to meet IEEE 802.3 and ANSI X3.263 standard including 350uH OCL with 8 mA bias
- Excellent EMI and Differential to Common Mode Rejection performance
- Designed to meet IR reflow at 235 Degree C peak temperature
- Available with various pinout for flexible circuit board layout
- Custom design with other transmit T/Rs, pinouts, packages and/or phase flipped are available on request



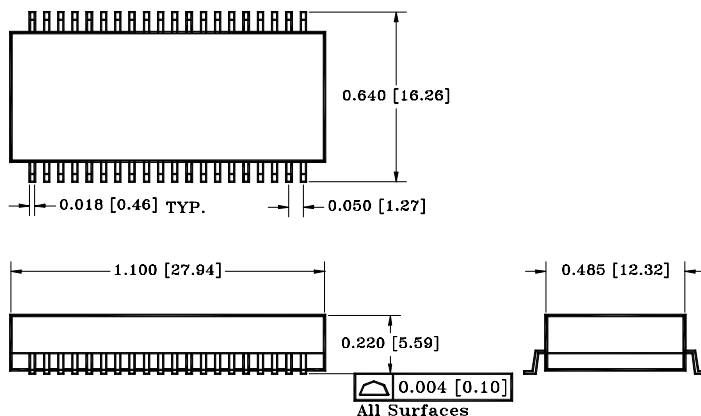
Operating Temperature: -25°C to +55°C.

Storage Temperature: -55°C to +80°C.

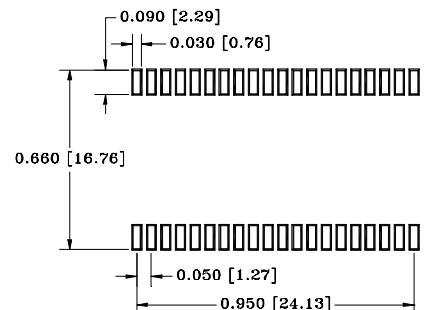
Electrical Specifications at 25°C:

Part Number	Circuit	Transmit Turns Ratio	Insertion Loss dB (Max) 0.1-100MHz	Differential to Common Mode Rejection (dB Typ.)	Common to Common Mode Rejection (dB Typ.)	Return Loss dB (Typ.)			Crosstalk dB (Typ.) 1-100MHz	Hipot Vrms (Min)
				0.1-100MHz		30MHz	60MHz	80MHz		
NT805-901	1	1CT:1CT	-1	-40	-30	-16	-13	-10	-40	1500
NT805-902	2	1CT:1CT	-1	-40	-30	-16	-13	-10	-40	1500
NT805-903	4	1CT:1CT	-1	-40	-30	-16	-13	-10	-40	1500
NT805-904	6	1CT:1CT	-1	-40	-30	-16	-13	-10	-40	1500
NT805-905	8	1CT:1CT	-1	-40	-30	-16	-13	-10	-40	1500
NT805-906	10	1CT:1CT	-1	-40	-30	-16	-13	-10	-40	1500
NT805-951	5	2CT:1	-1	-40	-30	-16	-13	-10	-40	1500
NT805-952	1	2CT:1CT	-1	-40	-30	-16	-13	-10	-40	1500
NT805-953	2	2CT:1CT	-1	-40	-30	-16	-13	-10	-40	1500
NT805-954	9	2CT:1CT	-1	-40	-30	-16	-13	-10	-40	1500
NT805-955	2	1.25CT:1CT	-1	-40	-30	-16	-13	-10	-40	1500
NT805-956	7	1.414CT:1CT	-1	-40	-30	-16	-13	-10	-40	1500
NT805-957	3	1CT:1.414CT	-1	-40	-30	-16	-13	-10	-40	1500

MECHANICAL

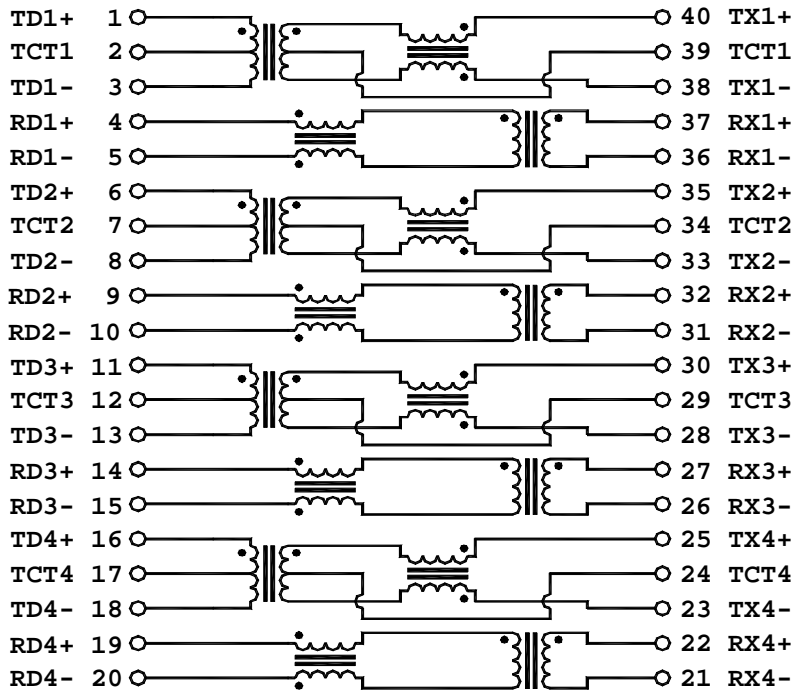


SUGGESTED PAD LAYOUT

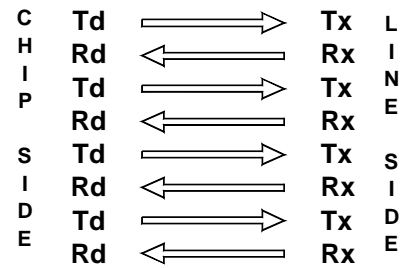


SCHEMATICS

Circuit 1

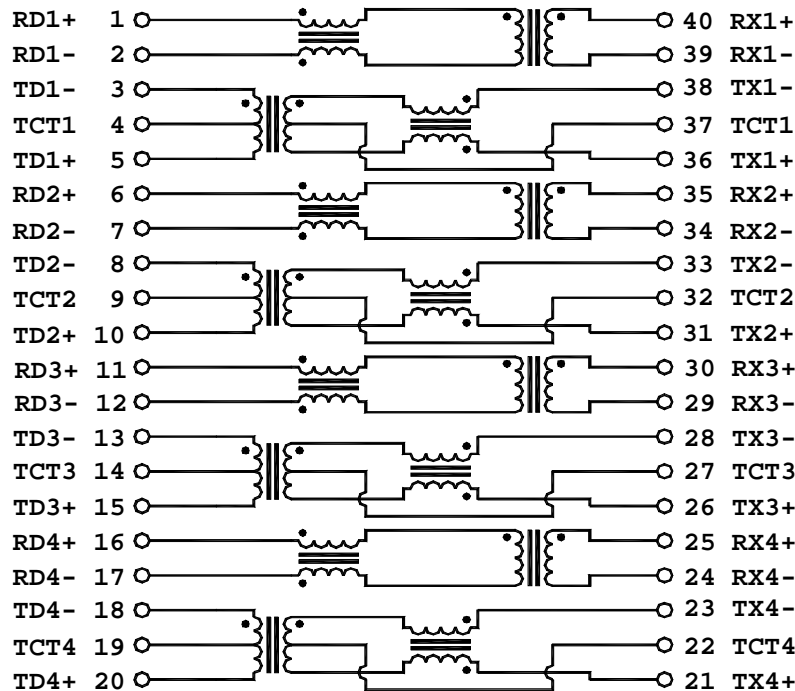


Configuration

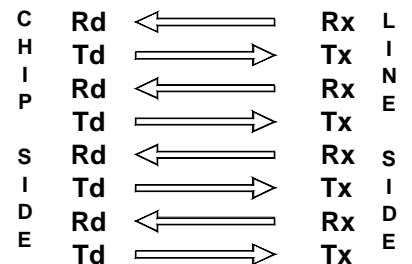


For single row RJ-45

Circuit 2



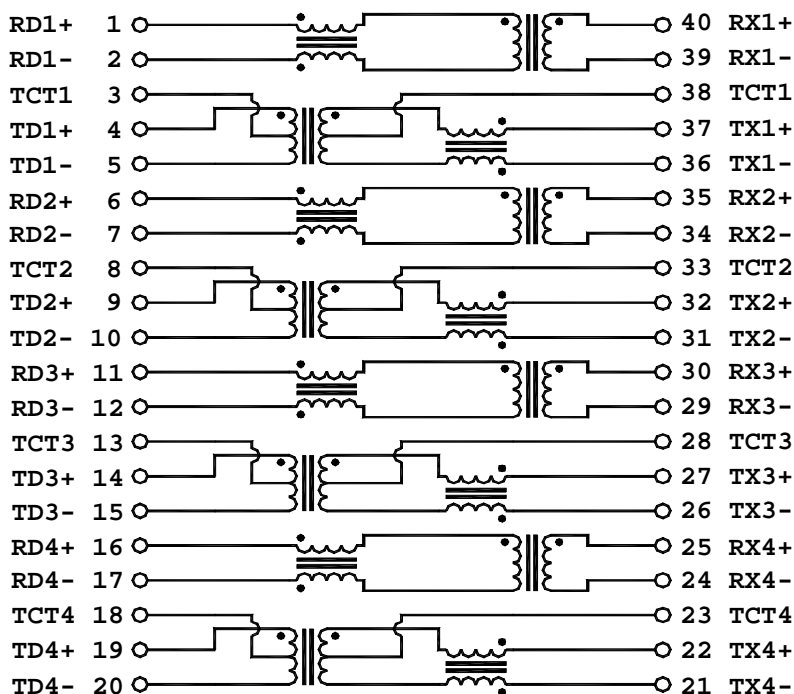
Configuration



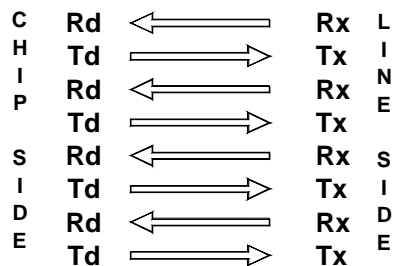
For single row RJ-45

SCHEMATICS

Circuit 3

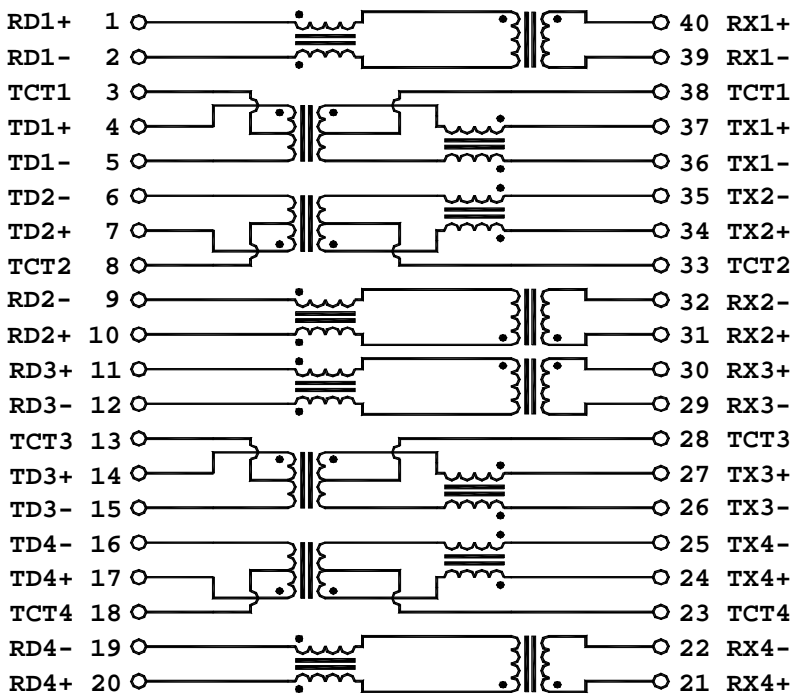


Configuration

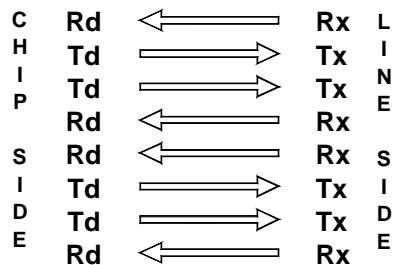


For single row RJ-45

Circuit 4



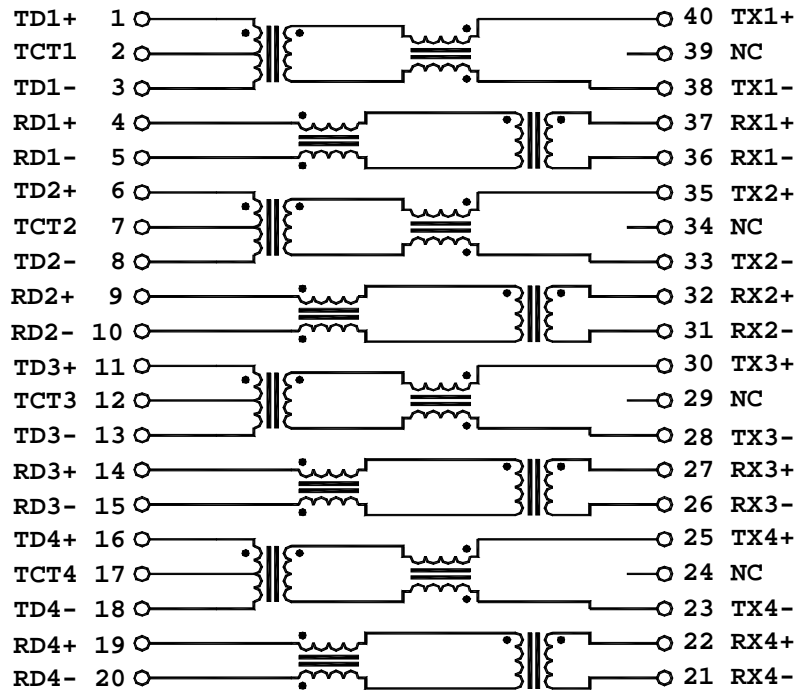
Configuration



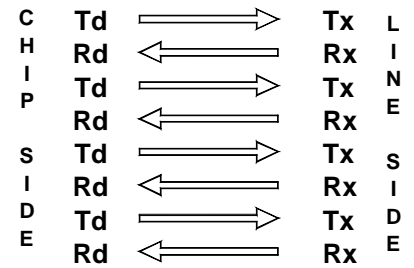
For double stack RJ-45

SCHEMATICS

Circuit 5

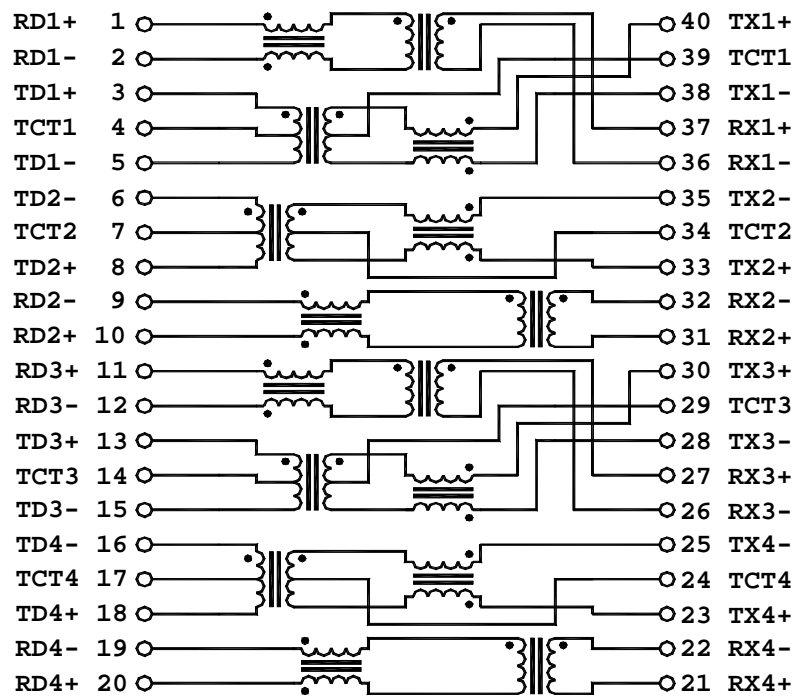


Configuration

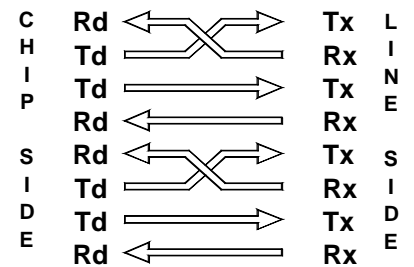


For single row RJ-45

Circuit 6



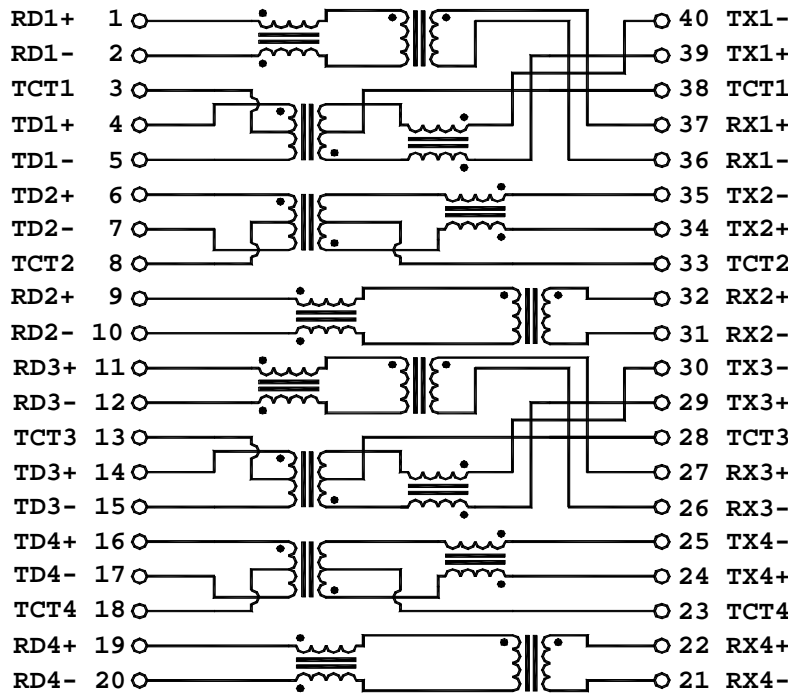
Configuration



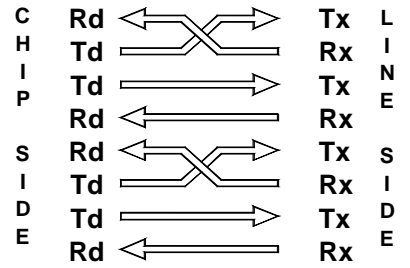
For single row RJ-45

SCHEMATICS

Circuit 7

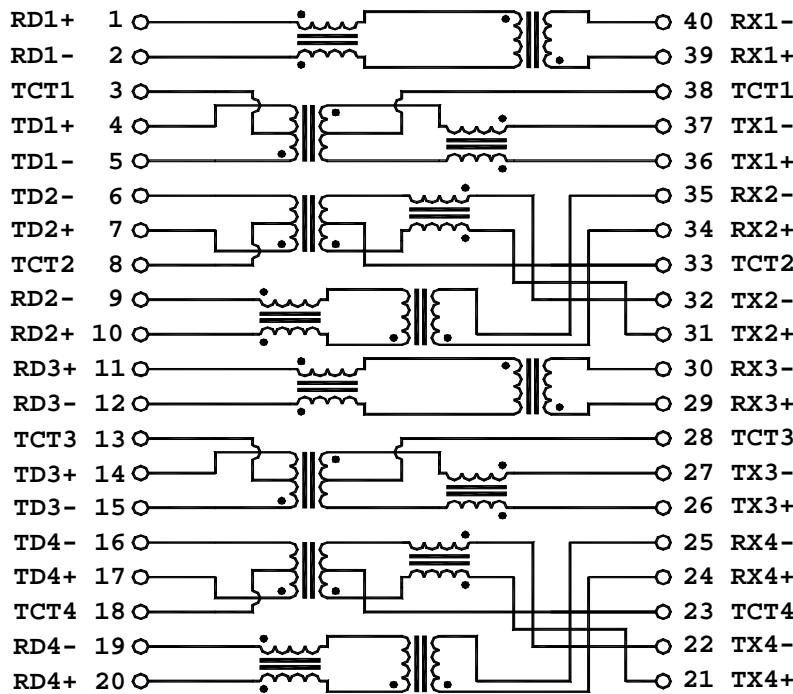


Configuration

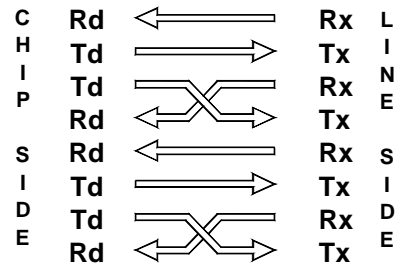


For single row RJ-45

Circuit 8



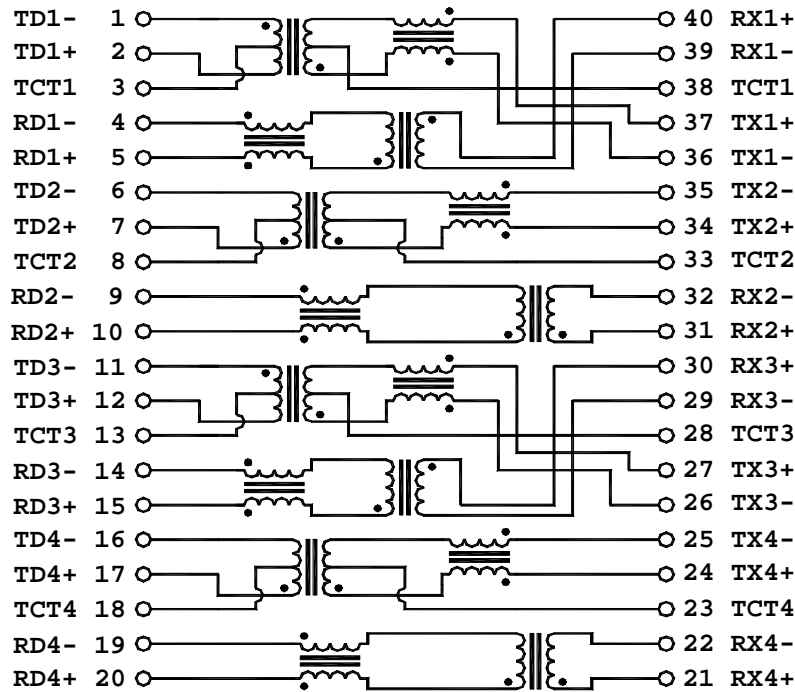
Configuration



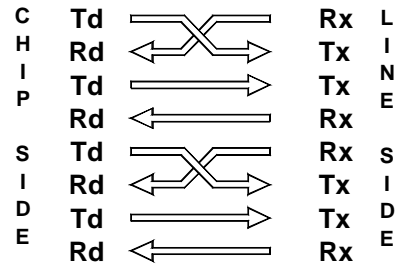
For single row RJ-45

SCHEMATICS

Circuit 9

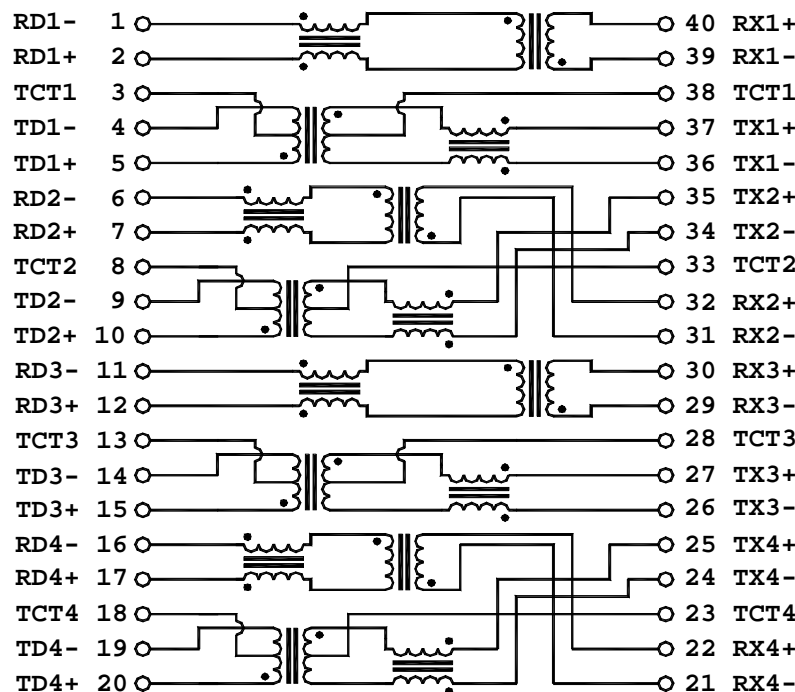


Configuration

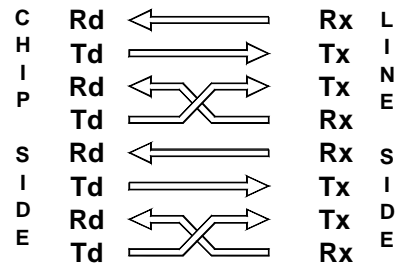


For double stack RJ-45

Circuit 10



Configuration



For double stack RJ-45

IC CROSS REFERENCE

IC Maker	IC Part Number	Type of RJ45	Available Datatronic Parts	
			Prefer Parts	Alternative Parts
Adhoc Tech	AH104	Single Row	NT805-901, NT805-902	NT805-904, NT805-905
		Dual Stack	NT805-903	NT805-906
AMD	Am79C871, Am79C872, Am79C873, Am79C972	Single Row	NT805-901, NT805-902	NT805-904, NT805-905
		Dual Stack	NT805-903	NT805-906
Broadcom	BCM5201, BCM5203, BCM5205, BCM5208, BCM5216, BCM5218, BCM5308	Single Row	NT805-901, NT805-902	NT805-904, NT805-905
		Dual Stack	NT805-903	NT805-906
Crystal	CS8952	Single Row	NT805-901, NT805-902	NT805-904, NT805-905
		Dual Stack	NT805-903	NT805-906
Davicom	DM9101, DM9181	Single Row	NT805-901, NT805-902	NT805-904, NT805-905
		Dual Stack	NT805-903	NT805-906
ICS	ICS1890, ICS1891, ICS1892	Single Row	NT805-901, NT805-902	NT805-904, NT805-905
		Dual Stack	NT805-903	NT805-906
Intel	S82555, S82558, S82559	Single Row	NT805-901, NT805-902	NT805-904, NT805-905
		Dual Stack	NT805-903	NT805-906
Kendin	KS8765	Single Row	NT805-955	-
		Dual Stack	-	-
Level One	LXT970A, LXT976X, LXT978X	Single Row	NT805-901, NT805-902	NT805-904, NT805-905
		Dual Stack	NT805-903	NT805-906
Level One	LXT974A, LXT975A, LXT980, LXT981, LXT982, LXT983	Single Row	NT805-952, NT805-953	-
		Dual Stack	NT805-954	-
Lucent	LU3X04, LU3X14, LU3X24, LU3X34, LU3X51, LU1X54, LU2X54, LU3X54	Single Row	NT805-901, NT805-902	NT805-904, NT805-905
		Dual Stack	NT805-903	NT805-906
Micro Linear	ML6673	Single Row	NT805-901, NT805-902	NT805-904, NT805-905
		Dual Stack	NT805-903	NT805-906
Mitel	NWK937, NWK939, NWK954	Single Row	NT805-901, NT805-902	NT805-904, NT805-905
		Dual Stack	NT805-903	NT805-906
Myson	MTD971	Single Row	NT805-901, NT805-902	NT805-904, NT805-905
		Dual Stack	NT805-903	NT805-906
NS	DP83223, DP83840A	Single Row	NT805-901, NT805-902	NT805-904, NT805-905
		Dual Stack	NT805-903	NT805-906
SEEQ	80223, 80225, 81400, 84220, 84225, 88220, 88221, 88222, 88223	Single Row	NT805-901, NT805-902	NT805-904, NT805-905
		Dual Stack	NT805-903	NT805-906
TDK	78Q2120, 78Q2121	Single Row	NT805-901, NT805-902	NT805-904, NT805-905
		Dual Stack	NT805-903	NT805-906
TI	TNETE2101, TNETE2104	Single Row	NT805-901, NT805-902	NT805-904, NT805-905
		Dual Stack	NT805-903	NT805-906
TOPIC	TP100, TP110	Single Row	NT805-901, NT805-902	NT805-904, NT805-905
		Dual Stack	NT805-903	NT805-906

Remark: Use the part in the "Prefer Parts" column is suggested.
For transducer(s) not listed above, please contact us for details.