

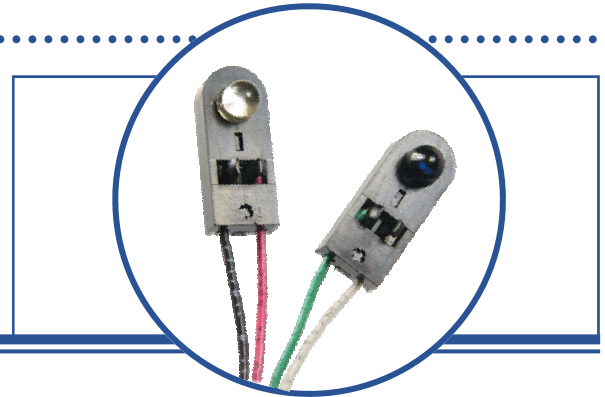
Optical Emitter and Sensor Pair

OPB100Z, OPB100EZ, OPB100SZ



Features:

- 890 nm infrared LED emitter
- Silicon phototransistor sensor
- Snap-in mounting
- Variable sensing distance over 36" (91.4 cm)
- Low profile package
- 24" (61.0 cm) wire leads



Description:

The **OPB100** series consists of an infrared LED (**OPB100EZ**) and phototransistor (**OPB100SZ**) in separate plastic housings. The low cost, snap-in design requires no screws or other mounting hardware for ease of installation.

The emitter and sensor are not apertured, which allows separation distances in excess of 36" (91.4 cm) without concern for precise alignment. The front side clip allows mounting of the product to any 0.062" (1.57 mm) thick material.

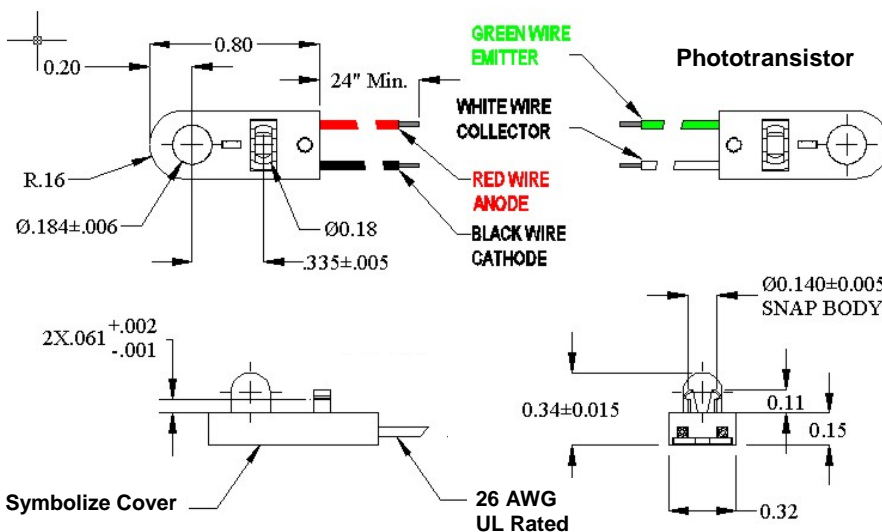
This product is designed for general switching and low-speed data communications applications.

Applications:

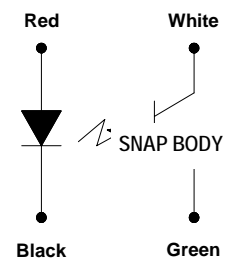
- Non-contact reflective object
- Non-contact interruptive sensing
- Assembly line automation
- Machine automation
- Machine safety

Ordering Information			
Part Number	LED Peak Wavelength	Sensor	Lead Length / Spacing
OPB100Z	880 nm	Transistor	24" / 26 AWG Wire
OPB100-EZ			
OPB100-SZ			

Emitter (LED)



Color/Pin	Description
Red-1	Anode
Black-2	Cathode
White-3	Collector
Green-4	Emitter



RoHS

OPTEK reserves the right to make changes at any time in order to improve design and to supply the best product possible.

Optical Emitter and Sensor Pair

OPB100Z, OPB100EZ, OPB100SZ



Absolute Maximum Ratings (T_A=25°C unless otherwise noted)

Storage Temperature Range	-40° C to +85° C
Operating Temperature Range ⁽¹⁾	-40° C to +80° C

Input LED (OP298 for additional information)

Forward DC Current	100 mA
Peak Forward Current (1 μs pulse width, 300 pps)	1 A
Reverse DC Voltage	2 V
Power Dissipation ⁽²⁾	142 mW

Output Phototransistor (OP598 for additional information)

Collector-Emitter Voltage	30 V
Emitter-Collector Voltage	5 V
Collector DC Current	50 mA
Power Dissipation ⁽³⁾	250 mW

Electrical Characteristics (T_A = 25°C unless otherwise noted — for reference only)

SYMBOL	PARAMETER	MIN	TYP	MAX	UNITS	TEST CONDITIONS
--------	-----------	-----	-----	-----	-------	-----------------

Input Diode (See OP298 for additional information — for reference only)

V _F	Forward Voltage	-	-	1.7	V	I _F = 20 mA
I _R	Reverse Current	-	-	15	μA	V _R = 10 V
q _{HP}	Emission Angle at Half Power Points	-	25	-	Degree	I _F = 20 mA
E _E (APT)	Aperture Radiant Incidence	2.4	-	-	mW/cm ²	I _F = 100 mA Distance = 1.43" (3.63 cm) Aperture = 0.25" (6.35 mm)

Output Phototransistor (See OP598 for additional information — for reference only)

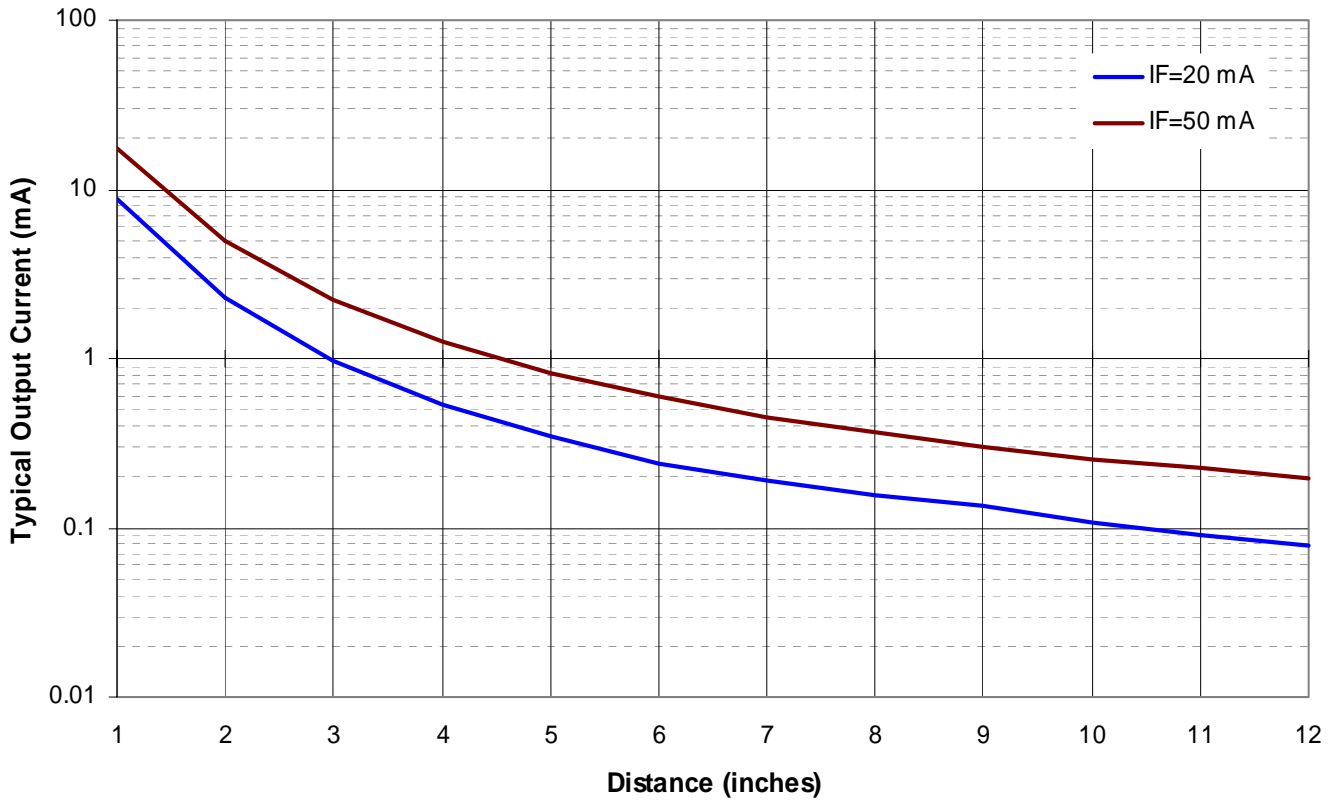
V _{(BR)CEO}	Collector-Emitter Breakdown Voltage	30	-	-	V	I _C = 1 mA, E _E = 0mw/cm ² (no light)
V _{(BR)ECO}	Emitter-Collector Breakdown Voltage	5	-	-	V	I _C = 100 μA, E _E = 0mw/cm ² (no light)
I _{CEO}	Collector Dark Current	-	-	100	nA	V _{CE} = 10V, I _F = 0, E _E = 0 mw/cm ² (no light)
V _{CE(SAT)}	Collector-Emitter Saturation Voltage	-	-	0.4	V	I _C = 400 μA, E _E = 1.7 mw/cm ²
I _{C(ON)}	On-State Collector Current	5	-	-	mA	V _{CE} = 5 V, E _E = 1.7 mw/cm ²

Notes:

- Derate linearly 3.33mW/°C above 25°C.
- All parameters measured using pulse technique.
- Derate linearly 1.43mW/°C above 25°C.

OPTEK reserves the right to make changes at any time in order to improve design and to supply the best product possible.

Output Current vs. Distance



OPTEK reserves the right to make changes at any time in order to improve design and to supply the best product possible.