

**PLEASE CHECK WWW.MOLEX.COM FOR LATEST PART INFORMATION**

**Part Number:** **0512333012**  
**Status:** **Active**  
**Description:** CRC™ Shielded Rectangular I/O Receptacle Housing for Male Terminal, Signal, 30 Circuits, Polarization Type A, Polarization Position C-3

**Documents:**

[Drawing \(PDF\)](#) [Product Specification PS-51238-018 \(PDF\)](#)  
[Product Specification PS-51238-010 \(PDF\)](#) [RoHS Certificate of Compliance \(PDF\)](#)

**Agency Certification**

CSA	LR19980
TUV	R72081037
UL	E29179

**General**

Product Family	I/O Connectors
Series	51233
Application	Panel-Mount, Wire-to-Wire
Component Type	Housing
Product Name	CRC™
Type	N/A

**Physical**

Boot Color	N/A
Circuits (Loaded)	N/A
Circuits (maximum)	30
Color - Resin	Black
Durability (mating cycles max)	100
Flammability	94V-0
Gender	Receptacle
Keying to Mating Part	Yes
Lock to Mating Part	Yes
Material - Metal	Stainless Steel
Material - Plating Mating	n/a
Material - Resin	Polyester
Number of Rows	6
Orientation	Vertical
PCB Locator	No
Packaging Type	Tray
Panel Mount	Front, Rear
Pitch - Mating Interface (in)	0.118 In
Pitch - Mating Interface (mm)	3.00 mm
Pitch - Term. Interface (in)	0.118 In
Pitch - Term. Interface (mm)	3.00 mm
Polarized to Mating Part	Yes
Polarized to PCB	N/A
Ports	1
Surface Mount Compatible (SMC)	No
Temperature Range - Operating	-40°C to +105°C
Termination Interface: Style	N/A
Waterproof / Dustproof	No

**Electrical**

Current - Maximum per Contact	3A
Shielded	No
Voltage - Maximum	250V AC (RMS)/DC



*image - Reference only*

**EU RoHS**

**ELV and RoHS Compliant**  
**REACH SVHC Contains SVHC: No**  
**Halogen-Free Status**  
**Not Reviewed**

**China RoHS**



**Need more information on product environmental compliance?**

Email [productcompliance@molex.com](mailto:productcompliance@molex.com)  
 For a multiple part number RoHS Certificate of Compliance, [click here](#)

Please visit the [Contact Us](#) section for any non-product compliance questions.

**Search Parts in this Series**

51233Series

**Mates With**

51239-300X plug housing|54332-300X plug assembly set

**Use With**

56116, 56117, 56118 and 56119 male terminal|56377-300\* receptacle shell

**Material Info**

**Reference - Drawing Numbers**

Product Specification

Sales Drawing

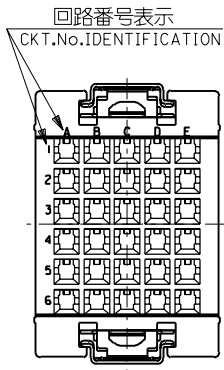
PS-51238-010, PS-51238-018, RPS-51238-001

SD-51233-009

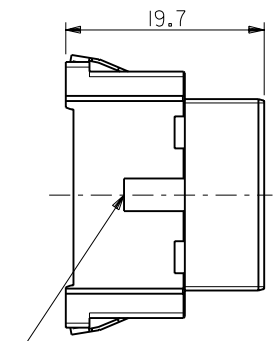
This document was generated on 04/12/2010

**PLEASE CHECK [WWW.MOLEX.COM](http://WWW.MOLEX.COM) FOR LATEST PART INFORMATION**

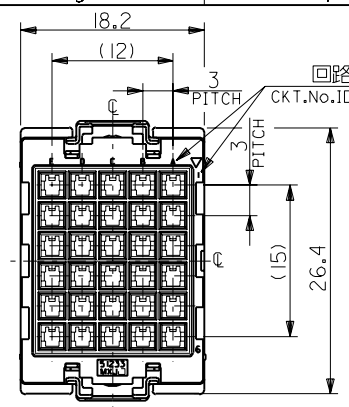
DWG. NO. SD-51233-009



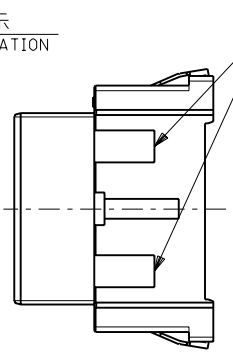
電線挿入側  
WIRE SIDE



シェル挿入方向キー  
POLARIZATIONS KEY FOR SHELL



嵌合側  
MATING SIDE



シェル挿入方向キー  
POLARIZATIONS KEY FOR SHELL

注記  
NOTES

- 材質  
MATERIAL  
①ハウジング：ガラス入りPBT樹脂  
HOUSING : PBT G.F.  
UL94V-0 色：黒  
UL94V-0 COLOR : BLACK  
②スプリング：ステンレス鋼 t0.3  
SPRING : STAINLESS STEEL t0.3
- 適用端子：56116-8\*90 , 56117-8\*90  
56118-8\*90 , 56119-8\*90  
APPLICABLE CRIMP PIN : 56116-8\*90 , 56117-8\*90  
56118-8\*90 , 56119-8\*90
- 適用リセプタクル シェル：56377-30\*\*  
APPLICABLE RECEPTACLE SHELL : 56377-30\*\*
- 嵌合相手：51239-300\*  
MEET WITH : 51239-300\*

<誤嵌合防止キー（極性）タイプ> <POLARITY KEY TYPE>

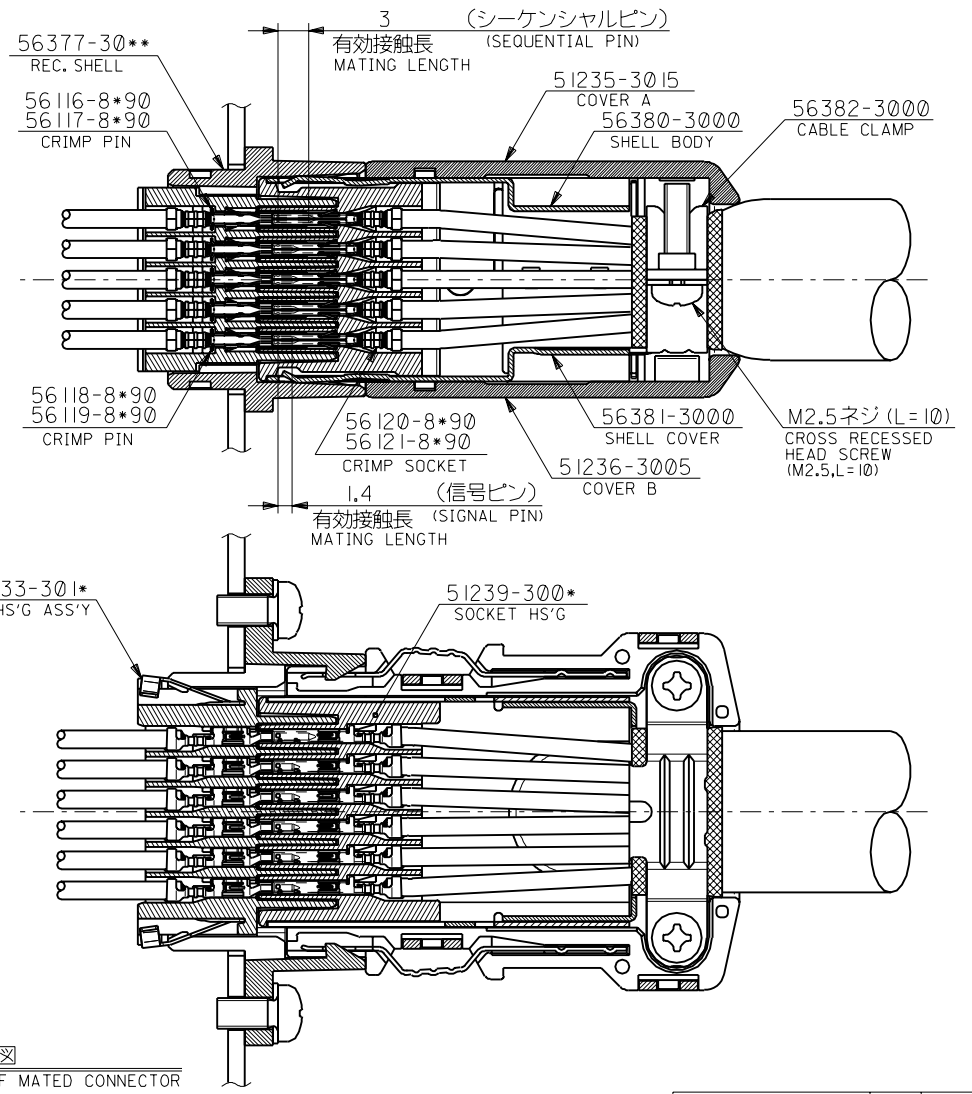
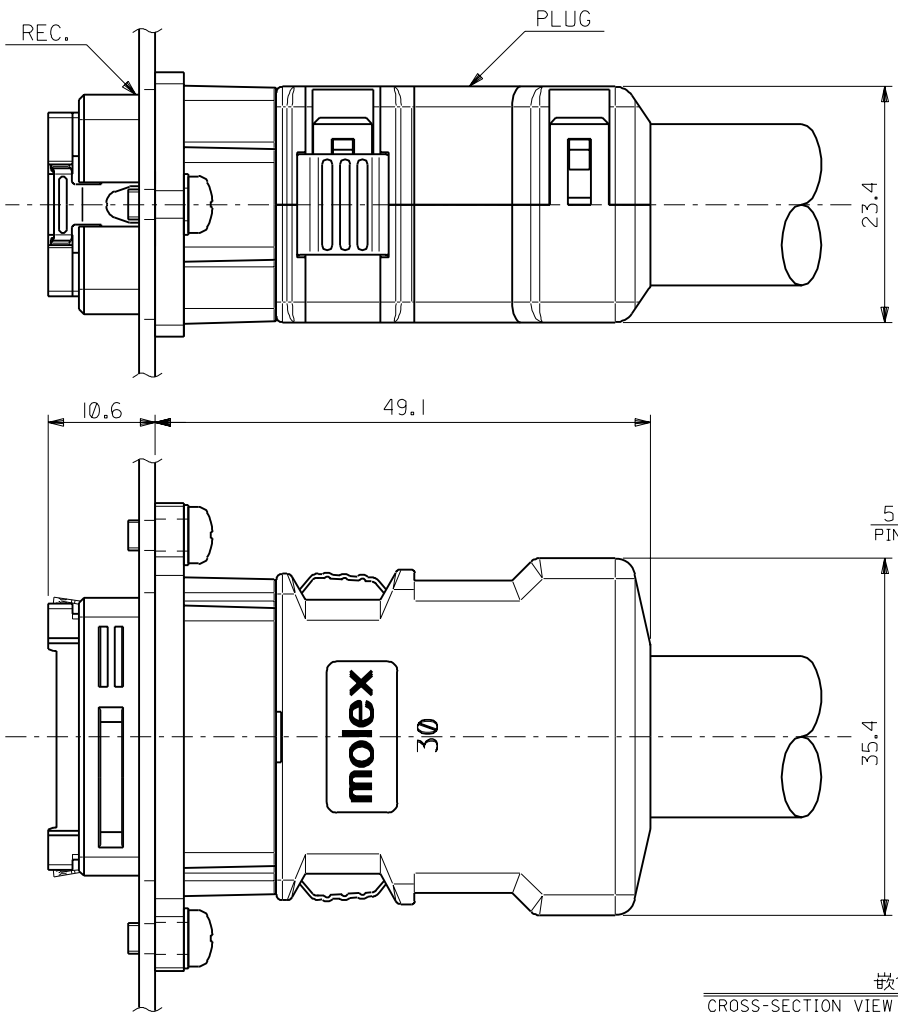
51233-3011	51233-3012	51233-3013	51233-3014	51233-3015
STANDARD TYPE	A TYPE	B TYPE	C TYPE	D TYPE

B-3	D	51233-3015	51233-***1*	30
D-4	C	51233-3014		
C-4	B	51233-3013		
C-3	A	51233-3012		
—	STANDARD	51233-3011		
POLARITY POSITION (CIRCUIT No.)	POLARITY TYPE	MATERIAL No.	MODEL No.	CIRCUIT

DO NOT SCALE DRAWING

EC NO. DRWN: CHK: APPR:	EC NO. DRWN: CHK: APPR:	EC NO. DRWN: CHK: APPR:	REVISED 01/10/04 EC NO. J2002-0786 DRWN: S.AKIYAMA CHK: J.MIYAZAWA APPR: YO.ITO	RELEASED 01/02/16 EC NO. JD2001-1040 DRWN: S.AKIYAMA CHK: J.MIYAZAWA APPR: H.IKESUGI	MATERIAL 材料 #	FINISH 仕上げ #	WIRE RANGE 適用線径範囲 #	INS. RANGE 被覆外径 #	注記参照 SEE NOTES	GENERAL TOLERANCES: (UNLESS SPECIFIED) 一般公差 10 UNDER 未満 ±0.2 10 OVER 以上 30 UNDER 未満 ±0.25 30 OVER 以上 ±0.3 ANGLE 角度 ±3°	SCALE 2-1 DESIGN UNITS 2mm □ mm □ INCH THIRD ANGLE PROJECTION	TITLE: COMPACT ROBOT CONN. (CRC) REC. PIN HS'G ASS'Y	MATERIAL NO. SEE CHART	DRAWING NO. SD-51233-009	SHEET NO. 1 OF 4
THIS DRAWING CONTAINS INFORMATION THAT IS PROPRIETARY TO MOLEX INCORPORATED AND SHOULD NOT BE USED WITHOUT WRITTEN PERMISSION.										SIZE B					

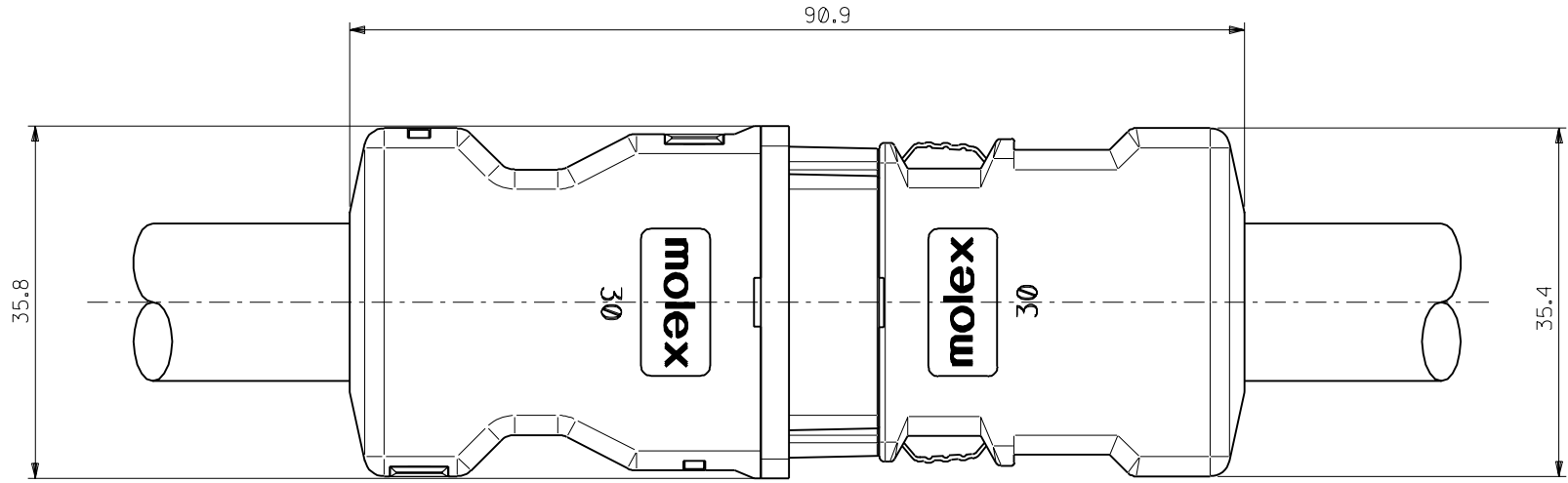
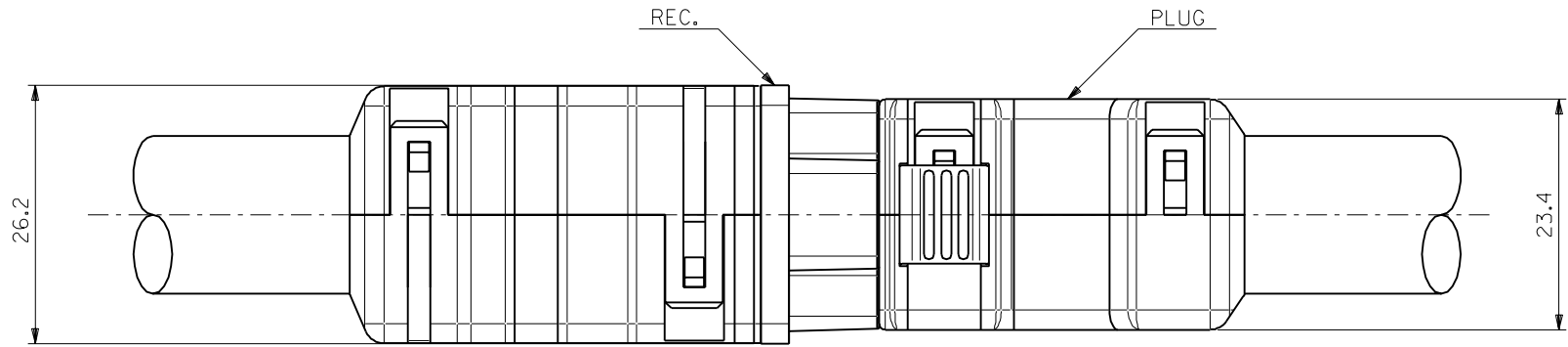
DWG. NO. SD-51233-009



嵌合図  
CROSS-SECTION VIEW OF MATED CONNECTOR

DO NOT SCALE DRAWING

EC NO. DRWN: CHK: APPR:	EC NO. DRWN: CHK: APPR:	EC NO. DRWN: CHK: APPR:	REVISED 01/10/04	MATERIAL 材料	GENERAL TOLERANCES: (UNLESS SPECIFIED) 一般公差	SCALE 2-1	DESIGN UNITS mm □ INCH	THIRD ANGLE PROJECTION	DIMENSIONS: mm □ INCH mm □ ONLY	SHT REVISE ON CAD ONLY	REV
			EC NO. J2002-0786 DRWN: S.AKIYAMA CHK: J.MIYAZAWA APPR: YO.IITO								
A	0		RELEASED 01/02/16	FINISH 仕上げ	10 OVER 30 UNDER 以上 未満	±0.25	CHECKED BY & DATE <i>J. Miyazawa</i> / 2/06	MATERIAL NO. SEE CHART	MATERIAL NO. SD-51233-009	SHEET NO. 2 OF 4	SIZE B
			EC NO. JD2001-1040 DRWN: S.AKIYAMA CHK: J.MIYAZAWA APPR: H.IKESUGI								
				INS. RANGE 被覆外径	ANGLE 角度	±3°	CAD FILE NAME 51233009.S02	THIS DRAWING CONTAINS INFORMATION THAT IS PROPRIETARY TO MOLEX INCORPORATED AND SHOULD NOT BE USED WITHOUT WRITTEN PERMISSION.			



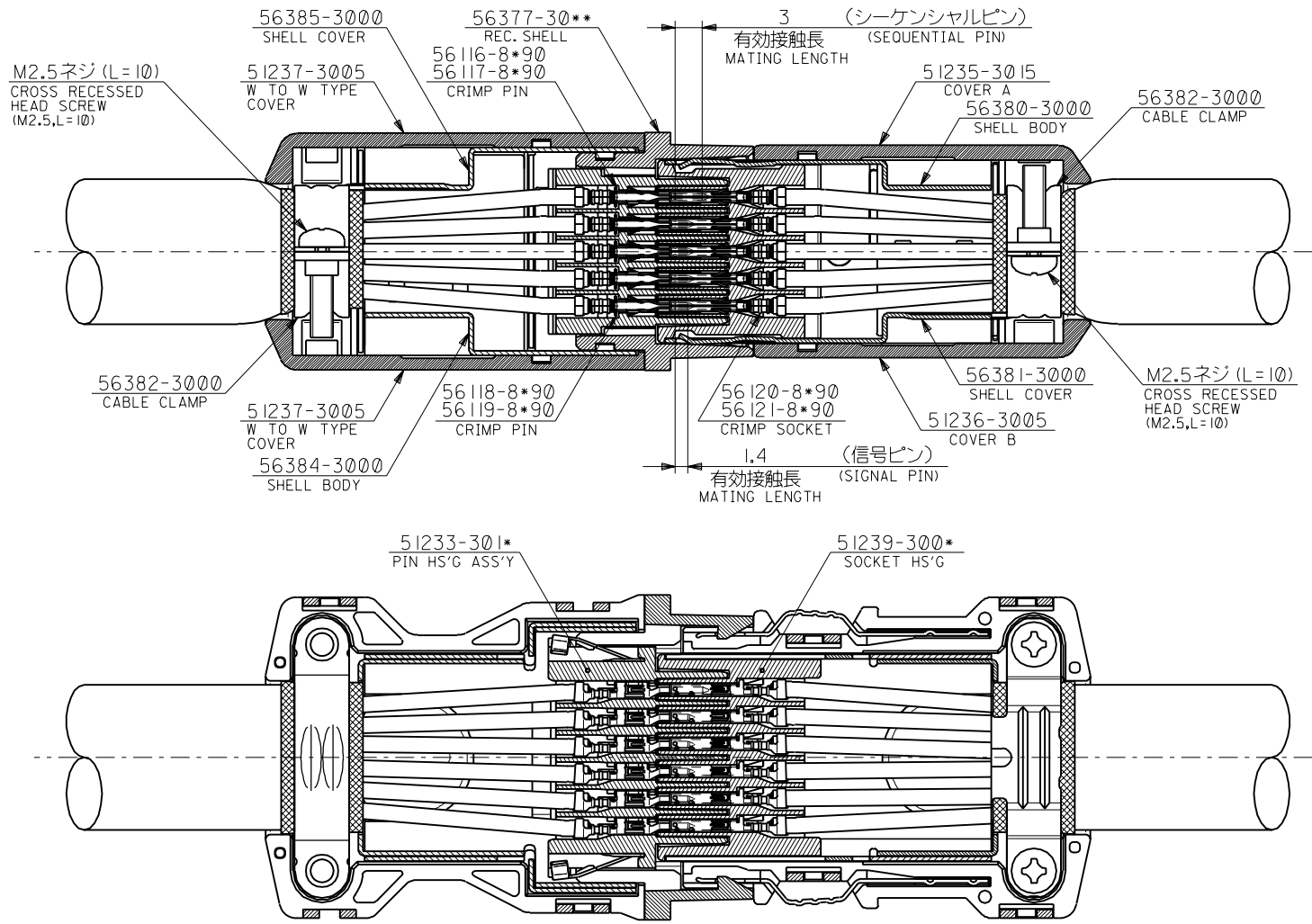
嵌合図 (中継タイプ)  
CROSS-SECTION VIEW OF MATED CONNECTOR  
(WIRE TO WIRE TYPE)

DO NOT SCALE DRAWING

EC NO. DRWN: CHK: APPR:	EC NO. DRWN: CHK: APPR:	EC NO. DRWN: CHK: APPR:	REVISED 01/10/04	MATERIAL 材料	GENERAL TOLERANCES: (UNLESS SPECIFIED) 一般公差	SCALE	DESIGN UNITS	THIRD ANGLE PROJECTION	DIMENSIONS: <input type="checkbox"/> mm <input type="checkbox"/> INCH	SHT	REV
			EC NO. J2002-0786 DRWN: S.AKIYAMA CHK: J.MIYAZAWA APPR: YO.ITO			2-1	<input checked="" type="checkbox"/> mm <input type="checkbox"/> INCH				
A	0		RELEASED 01/02/16 EC NO. JD2001-1040 DRWN: S.AKIYAMA CHK: J.MIYAZAWA APPR: H.IKESUGI	注記参照 SEE NOTES	10 UNDER 未満	±0.2	DRAWN BY & DATE <i>S. Akiyama</i> / 01/25	TITLE: COMPACT ROBOT CONN. (CRC) REC. PIN HS'G ASS'Y	MATERIAL NO. SEE CHART	DRAWING NO. SD-51233-009	SHEET NO. 3 OF 4
				FINISH 仕上げ	10 OVER 30 UNDER 以上 未満	±0.25	CHECKED BY & DATE <i>J. Miyazawa / Y. Ito</i>				
				WIRE RANGE 適用電線範囲	30 OVER 以上	±0.3	APPROVED BY & DATE <i>Yo. Ito</i>				
				INS. RANGE 被覆外径	ANGLE 角度	±3°	CAD FILENAME 51233009.S03				

THIS DRAWING CONTAINS INFORMATION THAT IS PROPRIETARY TO MOLEX INCORPORATED AND SHOULD NOT BE USED WITHOUT WRITTEN PERMISSION.

DWG. NO. SD-51233-009



嵌合図 (中継タイプ)  
CROSS-SECTION VIEW OF MATED CONNECTOR  
(WIRE TO WIRE TYPE)

DO NOT SCALE DRAWING

EC NO. DRWN: CHK: APPR:	EC NO. DRWN: CHK: APPR:	EC NO. DRWN: CHK: APPR:	REVISED 01/10/04	MATERIAL 材料	GENERAL TOLERANCES: (UNLESS SPECIFIED) 一般公差	SCALE 2-1	DESIGN UNITS <input checked="" type="checkbox"/> mm <input type="checkbox"/> INCH	THIRD ANGLE PROJECTION	DIMENSIONS: <input type="checkbox"/> mm <input type="checkbox"/> INCH <input checked="" type="checkbox"/> mm ONLY	SHT REVISE ON CAD ONLY	REV	
			EC NO. J2002-0786 DRWN: S.AKIYAMA CHK: J.MIYAZAWA APPR: Y.O.IITO									DESCRIPTION 注記参照 SEE NOTES
A	0		RELEASED 01/02/16	FINISH 仕上げ	10 OVER 以上	30 UNDER 未満	±0.25	CHECKED BY & DATE <i>J. Miyazawa</i> / 01/25	APPROVED BY & DATE <i>Y. O. Ito</i>	MATERIAL NO. SEE CHART	DRAWING NO. SD-51233-009	SHEET NO. 4 OF 4
			EC NO. JD2001-1040 DRWN: S.AKIYAMA CHK: J.MIYAZAWA APPR: H.IKESUGI									
				INS. RANGE 被覆外径	ANGLE 角度		±3°	CAD FILE NAME 51233009.S04	MATERIAL NO. SEE CHART	DRAWING NO. SD-51233-009	SHEET NO. 4 OF 4	SIZE B

THIS DRAWING CONTAINS INFORMATION THAT IS PROPRIETARY TO MOLEX INCORPORATED AND SHOULD NOT BE USED WITHOUT WRITTEN PERMISSION.