

146.250.

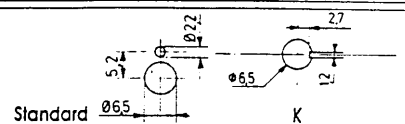


8000

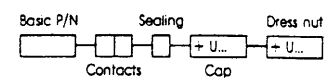
MOMENTARY OR LATCHING ACTION PUSHBUTTON SWITCHES

- Contacts:
- A : silver
 - AD : gold plated silver
 - CD : gold plated copper

Panel cut-out 8600



How to order



Specifications:

- Current/voltage rating:
 - silver contacts: 3 A 250VAC - 4 A 30VDC
 - gold plated contacts: 0.4 VA max. 20 VAC or DC
- Initial contact resistance: 10 mΩ max.
- Insulation resistance: 1000 MΩ with 500 VDC
- Dielectric strength:
 - 1000 Vrms 50 Hz between terminations
 - 2000 Vrms 50 Hz between terminations and frame
- Electrical life: 30000 operations
- Torque: 1,25 Nm

Pre-travel 2.20 mm	Over travel 0.50 mm	Total travel 2.70 mm
-----------------------	------------------------	-------------------------

146-248 → 251

Solder lugs



8646

single pole	2-3	1-2
8632	ON	MOM
8636	ON	ON
double pole	2-3 5-6	1-2 4-5
8642	ON	MOM
8646	ON	ON

Straight terminations



8446

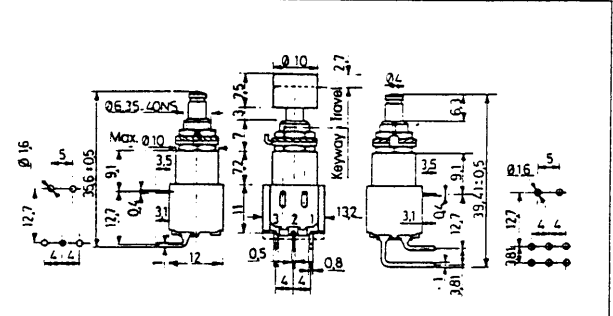
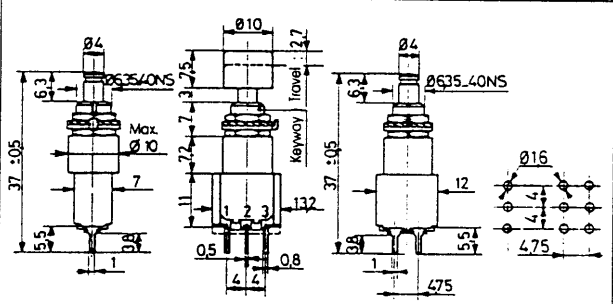
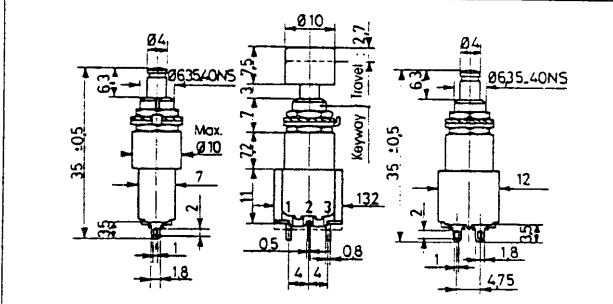
single pole	2-3	1-2
8432	ON	MOM
8436	ON	ON
double pole	2-3 5-6	1-2 4-5
8442	ON	MOM
8446	ON	ON

Right angle terminations W - horizontal



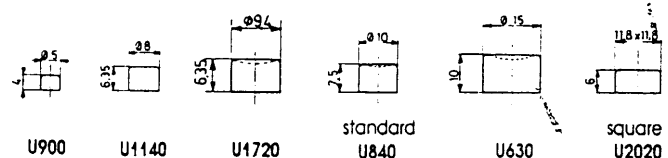
8436W

single pole	2-3	1-2
8432W	ON	MOM
8436W	ON	ON
double pole	2-3 5-6	1-2 4-5
8442W	ON	MOM
8446W	ON	ON



Caps

Replace 0 by colour number

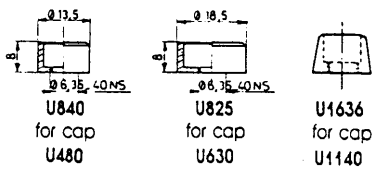


Option:

- K : sealing by O-ring
- B : sealed terminations

Dress nuts

chrome plated



Colours:

- 1: blue
- 2: black
- 3: green
- 4: grey
- 5: yellow
- 6: red
- 7: white
- 9: orange