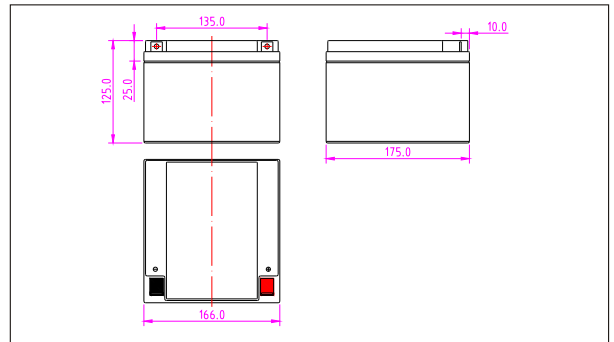




# SW12240(12V24AH)



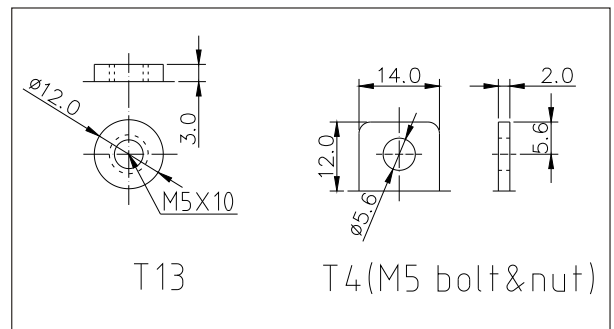
### ● Outer dimensions (mm)



### ● Specifications

Nominal Voltage		12V
Rated capacity (20 hour rate)		24 Ah
Dimensions	Total Height	125 mm (4.92 inches)
	Height	125 mm (4.92 inches)
	Length	166 mm (6.54 inches)
	Width	175 mm (6.90 inches)
Weight Approx		7.2 Kg (15.87 lbs)

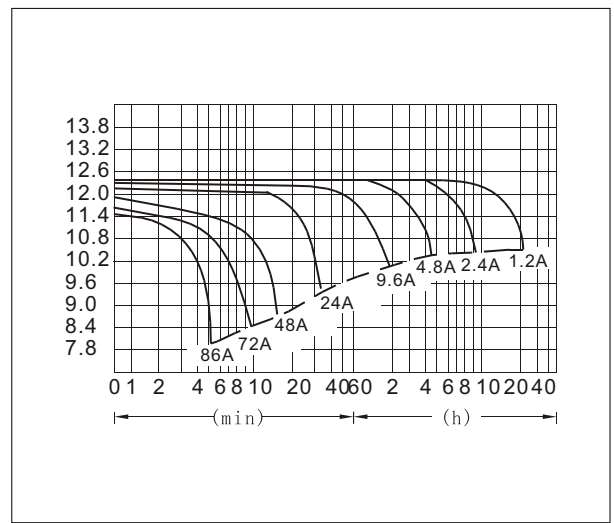
### ● Terminal Type (mm)



### ● Characteristics

Capacity 25°C(77°F)	20 hour rate(1.20A)	24.0 AH
	10 hour rate(2.20A)	22.0AH
	5 hour rate(4.10A)	20.5 AH
	1 hour rate(14.4A)	14.4 AH
	1.5 hour discharge to 10.5V	10.3 A
Internal Resistance	Full charged Battery at 25°C(77°F)	12 mΩ
Capacity affected by Temperature (20hour rate)	40°C(104°F)	102%
	25°C(77°F)	100%
	0°C(32°F)	85%
	-15°C(5°F)	65%
Self-Discharge at 25°C(77°F)	Capacity after 3 month storage	91%
	Capacity after 6 month storage	82%
	Capacity after 12 month storage	64%
Terminal		T4、T13
Charge (constant Voltage)	Cycle	Initial Charging Current less than 9.60A Voltage 14.40-14.70V
	Float	Voltage 13.50-13.80V

### ● Discharge Curves 25°C(77°F)



Time	5min	10min	15min	30min	1h	2h	3h	4h	5h	8h	10h	20h	
9.60V	A	86.4	56.6	42.0	27.6	14.4	8.40	6.18	4.96	4.21	2.78	2.27	1.24
	W	897	608	450	297	156	92.2	68.8	55.8	47.9	31.9	26.2	14.4
10.20V	A	79.2	54.2	38.6	26.2	13.5	8.06	6.00	4.80	4.13	2.73	2.23	1.21
	W	851	606	432	294	153	92.9	69.5	55.8	48.1	31.9	26.2	14.2
10.50V	A	72.1	50.6	36.0	25.4	13.1	7.90	5.90	4.56	4.11	2.70	2.21	1.20
	W	792	576	411	292	151	91.6	68.7	53.4	47.8	31.8	26.1	14.2
10.80V	A	69.3	48.4	33.6	24.7	12.6	7.70	5.80	4.48	3.90	2.63	2.15	1.17
	W	777	558	387	286	147	90.2	68.4	52.9	46.1	31.2	25.6	13.9
11.10V	A	64.1	45.6	31.2	24.0	12.2	7.50	5.50	4.40	3.73	2.56	2.10	1.14
	W	727	528	363	281	143	88.7	65.3	52.4	44.5	30.7	25.4	13.8