

**PLEASE CHECK WWW.MOLEX.COM FOR LATEST PART INFORMATION**

**Part Number:** [0190160069](#)  
**Status:** **Active**  
**Description:** Krimptite™ Quick Disconnect, Female, for 10-12 (5.00-3.30) Wire, Box, Tab 6.35mm (.250") x 0.81mm (.032")

**Documents:**

[Drawing \(PDF\)](#) [RoHS Certificate of Compliance \(PDF\)](#)

**Agency Certification**

CSA	LR18689
UL	E79133

**General**

Product Family	Quick Disconnects
Series	<a href="#">19016</a>
Comments	Butted Seam
Crimp Quality Equipment	Yes
MolexKits	Yes
Product Name	Krimptite™
Type	Quick Disconnect

**Physical**

Barrel Type	Closed
Gender	Female
Glow-Wire Compliant	No
Insulation	None
Lock to Mating Part	None
Material - Metal	Brass
Orientation	Straight
Packaging Type	Bag
Polarized to Mating Part	No
Tab Thickness	0.81mm (.032")
Tab Width	6.35mm (.250")
Temperature Range - Operating	Per Wire Specification
Wire Size AWG	10, 12
Wire Size mm <sup>2</sup>	3.30 - 5.00

**Electrical**

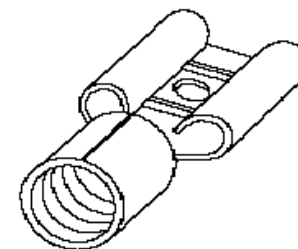
Voltage - Maximum	Per Wire Specification
-------------------	------------------------

**Material Info**

Old Part Number	C-1143
-----------------	--------

**Reference - Drawing Numbers**

Sales Drawing	SD-19016-002
---------------	--------------



*Series  
image - Reference only*

**EU RoHS**

**ELV and RoHS  
Compliant**  
**REACH SVHC  
Contains SVHC: No**  
**Halogen-Free  
Status**

**China RoHS**



**Need more information on product  
environmental compliance?**

Email [productcompliance@molex.com](mailto:productcompliance@molex.com)  
 For a multiple part number RoHS Certificate of Compliance, [click here](#)

Please visit the [Contact Us](#) section for any non-product compliance questions.

**Search Parts in this Series**

[19016Series](#)

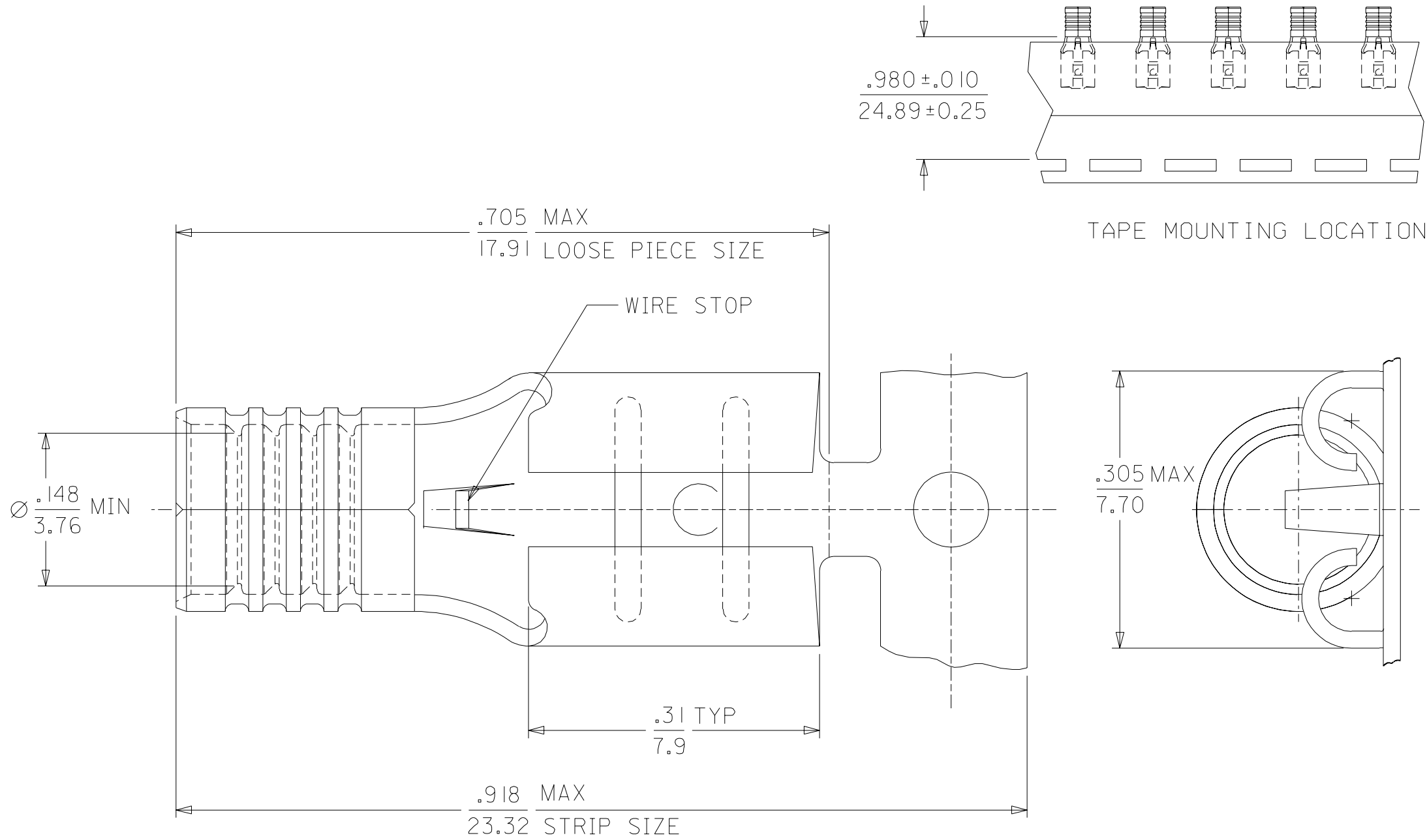
**Application Tooling | [FAQ](#)**

*Tooling specifications and manuals are found by selecting the products below. Crimp Height Specifications are then contained in the Application Tooling Specification document.*

**Global**

Description	Product #
Crimp Hand Tool	<a href="#">0640031300</a>
Crimp Head for the AT-200™ Pneumatic Hand Tool	<a href="#">0640071300</a>

MATERIAL NUMBER	ENGINEERING NUMBER	PACKAGING
190160069	C-1143	LOOSE PIECE
190160073	CZ-1143	STRIP
190160070	C-1143T	TAPE



TAPE MOUNTING LOCATION

## SALES DRAWING

NOTES:  
 1. MATERIAL: COPPER.  
 PLATING: ELECTRO-TIN

NEW RELEASE EC NO. ETC2003-0024 DRWN: BRE 02/07/30 CHK: HEB 02/07/30 APPR: RWD 02/07/30	QUALITY SYMBOLS MAJOR $\nabla=0$ CRITICAL $\nabla C=0$	GENERAL TOLERANCES: (UNLESS SPECIFIED)		SCALE 10:1	DESIGN UNITS <input type="checkbox"/> mm <input checked="" type="checkbox"/> INCH	THIRD ANGLE PROJECTION	DIMENSIONS: <input type="checkbox"/> mm <input checked="" type="checkbox"/> INCH <input type="checkbox"/> mm ONLY	SHT	REV	
		4 PLACES $\pm 0.$	3 PLACES $\pm 0.$	2 PLACES $\pm 0.13$	1 PLACE $\pm 0.25$	mm	INCH	mm	ONLY	REVISE ON CAD ONLY
A	DESCRIPTION	ANGULAR: $\pm 1/2^\circ$		DRAWN BY & DATE BRE 02/07/23		TITLE: QUICK DISCONNECT RECEPTACLE 12-10 AWG .250 X .032 TAB SIZE				
		DRAFT WHERE APPLICABLE MUST REMAIN WITHIN DIMENSIONS		CHECKED BY & DATE HEB 02/07/23		MOLEX INCORPORATED				
	REV			APPROVED BY & DATE RWD 02/07/23		MATERIAL NO. SEE CHART		DRAWING NO. SD-19016-002		SHEET NO. 1 OF 1
THIS DRAWING CONTAINS INFORMATION THAT IS PROPRIETARY TO MOLEX INCORPORATED AND SHOULD NOT BE USED WITHOUT WRITTEN PERMISSION.										