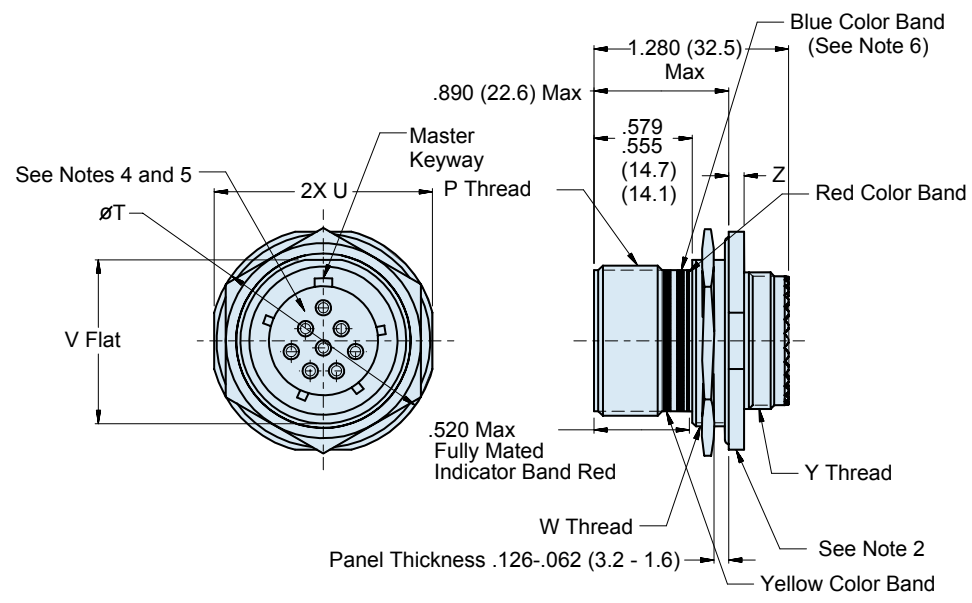
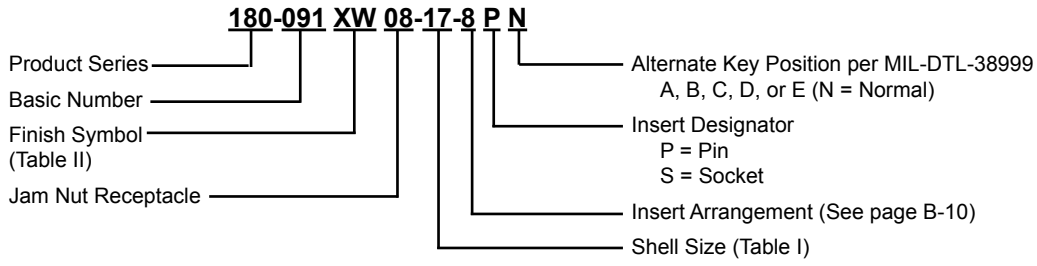




180-091 (08 Jam Nut Mount)
Advanced Fiber Optic Receptacle Connector
MIL-DTL-38999 Series III Style



08 - JAM NUT MOUNT RECEPTACLE

APPLICATION NOTES

- Material/ Finishes:
Shells, Jam Nut - See Table II (Composite Jam Nut No Plating Required).
Insulators- High Grade Rigid Dielectric/ N.A
Seals- Fluorosilicone/ N.A.
- Assembly to be identified with Glenair's name, part number and date code space permitting.
- Modified major diameter 31.80-31.95 (1.252-1.257).
- Insert arrangement in accordance with MIL-STD-1560, See Page B-10.
- Insert arrangement shown is for reference only.
- Blue Color Band indicates rear release retention system.
- For appropriate Glenair Terminus part numbers see Glenair Drawing 181-001 and 181-002.
- Metric dimensions (mm) are in parentheses.
- Jam nut for composite jam nut mount receptacle is aluminum, and plated same as connector shell.
- "XO" finish composite jam nut mount receptacle is supplied with unplated composite jam nut, and accommodates .093 maximum panel thickness.

**180-091 (08 Jam Nut Mount)
Advanced Fiber Optic Receptacle Connector
MIL-DTL-38999 Series III Style**



MIL-DTL-38999
Connectors

TABLE I: SHELL SIZE

Shell Size Code	Shell Size	P Thread	T Dia	U	V	W Thread	Y Thread	Z
B	11	.7500-.1P-.3L-TS-2A	1.386 (35.2) 1.362 (34.6)	1.268 (32.2) 1.236 (31.4)	.755 (19.2) .745 (18.9)	M20 x 1.0-6g 0.100R	M15 x 1.0-6g 0.100R	.121 (3.1) .083 (2.1)
C	13	.8750-.1P-.3L-TS-2A	1.512 (38.4) 1.488 (37.8)	1.390 (35.3) 1.358 (34.5)	.942 (23.9) .932 (23.7)	M25 x 1.0-6g 0.100R	M18 x 1.0-6g 0.100R	.121 (3.1) .083 (2.1)
D	15	1.0000-.1P-.3L-TS-2A	1.638 (41.6) 1.614 (41.0)	1.516 (38.5) 1.484 (37.7)	1.066 (27.1) 1.056 (26.8)	M28 x 1.0-6g 0.100R	M22 x 1.0-6g 0.100R	.121 (3.1) .083 (2.1)
E	17	1.1875-.1P-.3L-TS-2A	1.764 (44.8) 1.740 (44.2)	1.642 (41.7) 1.610 (40.9)	1.191 (30.3) 1.181 (30.0)	M32 x 1.0-6g 0.100R*	M25 x 1.0-6g 0.100R	.121 (3.1) .083 (2.1)
F	19	1.2500-.1P-.3L-TS-2A	1.949 (49.5) 1.925 (48.9)	1.827 (46.4) 1.795 (45.6)	1.316 (33.4) 1.306 (33.2)	M35 x 1.0-6g 0.100R	M28 x 1.0-6g 0.100R	.154 (3.9) .114 (2.9)
G	21	1.3750-.1P-.3L-TS-2A	2.075 (52.7) 2.051 (52.1)	1.953 (49.6) 1.921 (48.8)	1.441 (36.6) 1.431 (36.3)	M38 x 1.0-6g 0.100R	M31 x 1.0-6g 0.100R	.154 (3.9) .114 (2.9)
H	23	1.5000-.1P-.3L-TS-2A	2.201 (55.9) 2.177 (55.3)	2.079 (52.8) 2.047 (52.0)	1.566 (39.8) 1.556 (39.5)	M41 x 1.0-6g 0.100R	M34 x 1.0-6g 0.100R	.154 (3.9) .114 (2.9)
J	25	1.6250-.1P-.3L-TS-2A	2.323 (59.0) 2.299 (58.4)	2.205 (56.0) 2.173 (55.2)	1.691 (43.0) 1.681 (42.7)	M44 x 1.0-6g 0.100R	M37 x 1.0-6g 0.100R	.154 (3.9) .114 (2.9)

*See Note 3

TABLE II: MATERIAL AND FINISH

SYM	MATERIAL	FINISH DESCRIPTION
M*	Aluminum	Electroless Nickel
MT		Nickel - PTFE
NF		Cadmium, Olive Drab
ZNU		Zinc-Nickel, Black
XM*	Composite	Electroless Nickel
XMT		Nickel - PTFE
XO		No Plating
XW		Cadmium, Olive Drab
XZN		Zinc-Nickel, Black
ZL*	Stainless Steel	Electro-Deposited Nickel
Z1*		Passivate

*RoHS Compliant

NOTES: Jam Nut for composite Jam Nut Mount Receptacle is Aluminum and plated same as connector shell.

"XO" Finish composite Jam Nut Receptacle is supplied with Unplated Composite Jam Nut and accommodates .093 maximum panel thickness.

"XO" finish composite plug connectors are supplied less RFI spring.