

In a dirty world...

storm

700/900 Series

Storm 700/900 Series keypads are intended for use in wet or dirty environments. These modular keypads are designed to withstand the ingress of liquids and other contaminants; manufactured to survive the rigours of modern industrial use.



Keytop legend tiles can be configured to suit individual applications.

Storm 900 Series keypads feature selective dual colour illumination of keytops and keytop characters.

storm

700/900 Series

Tough keypads
for tough environments.



Storm 700/900 Series – Sealed & Rugged Keypads

In demanding or hostile environments, a keyboard operator must be confident that data can be entered quickly and accurately. With this objective the keys move with a positive over-centre action ensuring rapid and reliable data entry even in the most extreme conditions.

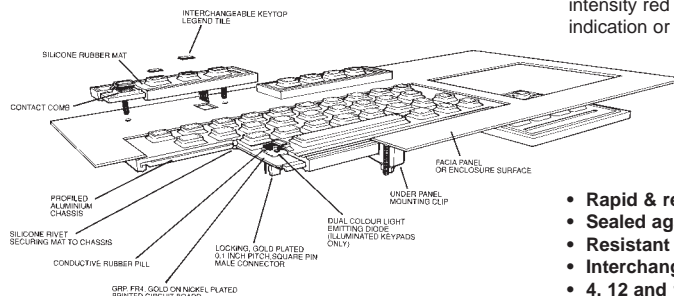
Storm 700 & 900 Series keypads are supplied in 4, 12, 16, and 36 key configurations. The keypad's unique modular design enables combinations of keypads to be used in the construction of more complex keypad layouts. This design feature is especially useful when the keypads are used in conjunction with the Storm Universal Keypad Encoder.

The exceptional reliability of Storm keypads is achieved by an ingenious but simple method of construction. A moulded rubber mat is secured around a rigid circuit plate providing its own environmental seal. Storm keypads have been successfully tested after submersion under 1 metre of water for periods in excess of 1 hour. This was achieved without using gaskets or sealing compounds of any kind.

Interchangeable keypad legend tiles allow the selection of keypad graphics to suit any particular application. A comprehensive range of keypad legend tiles, are available from your local Storm supplier.

Storm keypads are available in non-illuminated (700 Series) and illuminated (900 Series) versions.

The keypads can be easily mounted to a flat surface or can be located beneath a suitable aperture in a fascia panel.

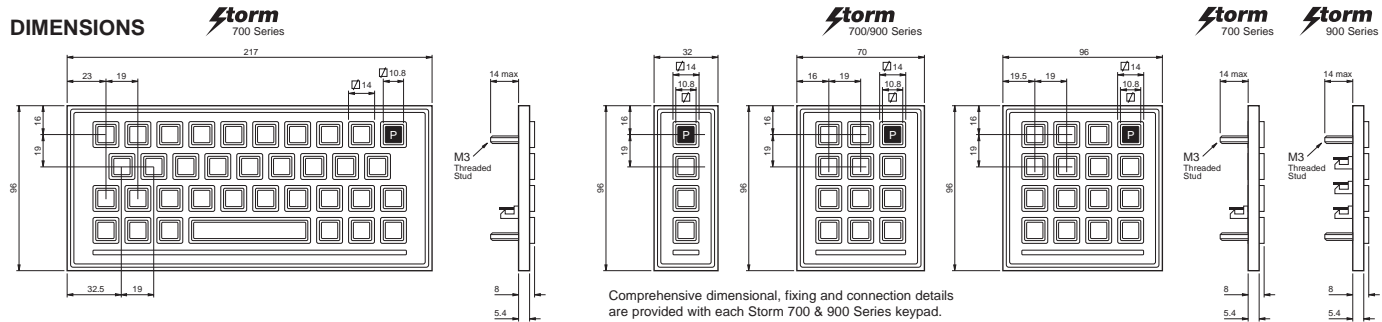


STORM 900 Series (illuminated) 4, 12 and 16 key formats only

Using the impressive refractive properties of silicone rubber, and the latest developments in surface mount technology, individual keypads can be illuminated by twin diode, two colour LEDs.

The keypad's surface can be lit with a low level green illumination. This provides clearly legible keypad graphics and a visual indication of the keypads operational boundaries. In addition, individual keytops can be selectively lit with a high intensity red LED providing positive status indication or software controlled "user prompts".

- Rapid & reliable data entry
- Sealed against fluids, dust & corrosives
- Resistant to vibration & shock
- Interchangeable keypad legends
- 4, 12 and 16 key formats in both series
- Compatible with the STORM keypad encoder



Comprehensive dimensional, fixing and connection details are provided with each Storm 700 & 900 Series keypad. A comprehensive range of interchangeable keypad legend tiles, for use with Storm 700 & 900 Series keypads, are available from your local Storm supplier.

SPECIFICATION & OPERATIONAL PERFORMANCE

ELECTRICAL

Contact Bounce	5ms (max)
Contact Resistance	100 ohm (max)
Insulation Resistance	50 Mohms (min) at 480V DC
Breakdown Voltage (to case)	500V AC (max 60 seconds)
Operating Voltage	24V DC (max)
Operating Current	50 mA (max)
LED Drive Current (900 Series only)	20 mA typ 25mA (max)
LED Drive Voltage - Single Diode (900 Series only)	3.3V typ
LED Drive Voltage - Twin Diode (900 Series only)	2.2V typ

ENVIRONMENTAL

Water Sealed	BS5490 Class IP67 / EC529 Class IP67 when panel mounted
Humidity	90% RH at 40°C (104°F) - 10 day (max) - Non-condensing
Operational Temperature	900 Series only: -25°C to +85°C (-13°F to +185°F) 700 Series only: -55°C to +125°C (-67°F to +257°F)

MECHANICAL

Operational Life	2 million cycles (min)
Keypad Travel	1.5mm nominal
Actuation Force	160gms typical
Sealing Torque	0.14 - 0.16 Nm
Connector	Locking 0.1" pitch gold-plated square pin connector suitable for use with Molex 2695/6471 or 7720S series or similar female connectors

MATERIAL

Keypad Surface	Engineering grade silicone rubber
Keypad chassis	Coated non-ferrous metal
Contact Circuit	Gold on nickel plated FR4 PCB

ACCESSORIES FOR USE WITH STORM 700/900 SERIES KEYPADS

Item	Part Number	Description
STORM Keypad Encoder	40000001	Keypad interface for STORM 700/900 Series & K Range keypads. PC XT or AT, PS2 and ASCII RS232/432 data formats configurable via an 8 way DIL switch.
Legend Tile Set	70X00101 90X00101 (X denotes type, *A to K*)	A: 0 - 9, ←, →, ↑, ↓, *, #, +, -, =, /, X, AC, I/O, ENT, CE/C, SP. B: ←, →, ↑, ↓, ENT, PRINT, DEL, INS, CAP, ESC, CTRL, ALT, ON, OFF, \, /, LOCK, ⏏, \$, €, ;, ' , , ←, SP. D: FI TO F12, E, \$, ?, !, (,), @, <, >, Fn, ", ' , %, &, SP. F: 0 - 9, →, A - F, CE/C, ENT, OFF, *, #, +, -, =, blank, SP. C: "A TO Z" E: Blank J: French symbols K: German symbols
Under Panel Mounting Clips	7004CL01	1 pair for 4 key keypad, 2 pairs for 12/16 key keypads & 3 pairs for 36 key keypad.

All dimensions in millimetres (mm). Full product specifications are available on request from your local Storm supplier. Storm keypads incorporate key switch technology protected by International Patents.

Whilst every effort is made to ensure details are correct at time of print, specifications are subject to change without notice.

700-LIT-01-ISS2

February 2000



usa office:
storm data entry technology
suite 202
364 pennsylvania avenue
glen ellyn IL 60137 USA
tel: (630) 469 2981
fax: (630) 469 2975
email: sales.usa@storm-keypads.com
website: www.storm-keypads.com



FM 39602

uk office:
keymat technology ltd
14 bentinck court
bentinck road
west drayton
middlesex UB7 7RQ
tel: +44 (0)1895 431421
fax: +44 (0)1895 431132
email: sales@keymat.com
website: www.keymat.com
Storm is a trademark of Keymat Technology Ltd