

**PLEASE CHECK WWW.MOLEX.COM FOR LATEST PART INFORMATION**

**Part Number:** [1210400096](#)  
**Status:** **Active**  
**Overview:** [mpm\\_connectors](#)  
**Description:** DIN Form A over mould

**Documents:**

[Drawing \(PDF\)](#) [RoHS Certificate of Compliance \(PDF\)](#)

**General**

Product Family Field Attachable / Accessories  
 Series [121040](#)  
 IP Rating IP65  
 Overview [mpm\\_connectors](#)  
 Product Name mPm®  
 Type Field Attachable Connector

**Physical**

Cable Diameter N/A  
 Coupling Type N/A  
 Diagnostics / LEDs No  
 Diagnostics Port No  
 Gender N/A  
 Keyway None  
 Material - Connector Body N/A  
 Material - Contact Brass  
 Material - Coupling Nut N/A  
 Material - Plating Mating Silver  
 Orientation 90° Angle  
 Poles N/A  
 Temperature Range - Operating -25°C to +75°C  
 Wire Size AWG N/A

**Electrical**

Current - Maximum per Contact 5A  
 Voltage - Maximum 250V AC/DC

**Material Info**

Old Part Number E152N2N30011

**Reference - Drawing Numbers**

Sales Drawing E152XXXXXXXX

**EU RoHS**  
**ELV and RoHS**  
**Compliant**  
**REACH SVHC**  
 Not Reviewed  
**Halogen-Free**  
**Status**  
**Not Reviewed**

**China RoHS**



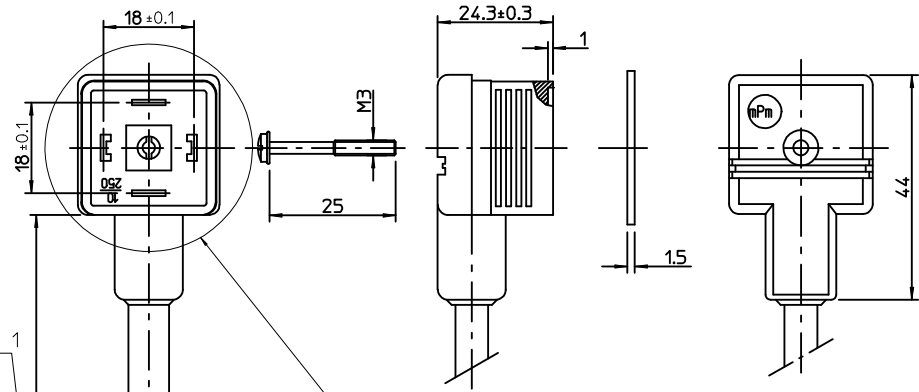
**Need more information on product environmental compliance?**

Email [productcompliance@molex.com](mailto:productcompliance@molex.com)  
 For a multiple part number RoHS Certificate of Compliance, [click here](#)

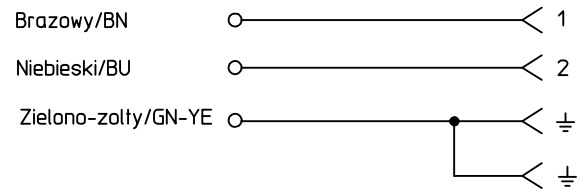
Please visit the [Contact Us](#) section for any non-product compliance questions.

**Search Parts in this Series**  
[121040Series](#)

10 9 8 7 6 5 4 3 2 1



SCHEMAT POLACZEN/WIRING CONFIGURATION

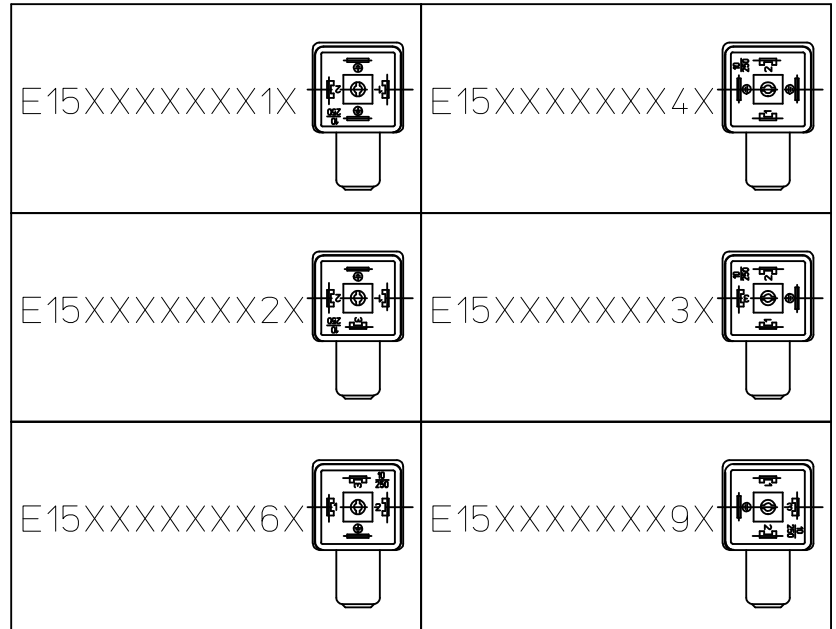


Orientacja obudowy/Insert orientation

PATRZ UWAGA 1  
SEE NOTE 1

Patrz Orientacja obudowy/See insert orientation

Table of length tolerances/ Tablica tolerancji dlugosci mm		
Over/Od	Up to and including/ Do-wlacznie	Tolerance/Tolerancja
100	1000	±20
1000	3000	±30
3000	5000	±40
5000	10000	±50
10000	15000	±100
15000	20000	±150
20000		±L/100



UWAGI:

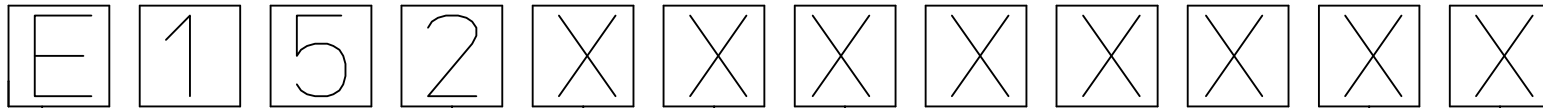
1. DLUGOSC PATRZ ARKUSZ 2.

NOTES:

1. LENGTH SEE SHEET 2.

<b>REMOVING LABEL</b> EC NO: WEU2009-0464 DRWIN: MWOLSZCZAK 2009/06/24 CHYKD: MDABROWSKA 2009/06/25 APPR: GOGRODNIK 2009/08/04	QUALITY SYMBOLS ▽=0 ◻=0	GENERAL TOLERANCES (UNLESS SPECIFIED) mm INCH 4 PLACES ± --- ± --- 3 PLACES ± --- ± --- 2 PLACES ± --- ± --- 1 PLACE ± --- ± --- ANGULAR ± ---°	DIMENSION STYLE MM ONLY DRAWN BY DATE MLEVYTSKY 2009/01/21 CHECKED BY DATE MDABROWSKA 2009/01/21 APPROVED BY DATE MWOLSZCZAK 2009/01/21	SCALE --- DESIGN UNITS METRIC FIRST ANGLE PROJECTION	TITLE MPM E152XXXXXXXXX	
	DRAFT WHERE APPLICABLE MUST REMAIN WITHIN DIMENSIONS		SEE DRAWING	MATERIAL NO. MOLEX INCORPORATED	DOCUMENT NO. E152XXXXXXXXX	SHEET NO. 1 OF 4
	THIS DRAWING CONTAINS INFORMATION THAT IS PROPRIETARY TO MOLEX INCORPORATED AND SHOULD NOT BE USED WITHOUT WRITTEN PERMISSION					
	SIZE A3					

9 8 7 6 5 4 3 2 1



E - Pakowanie bez workow  
 W - Pakowanie pojedynczo  
 Q - Szybkie pakowanie

ILOSC PRZEWODOW/NUMBER OF WIRES:  
 1=2 PRZEWODY,  
 2=2 PRZEWODY+UZIEMIENIE,  
 3=3 PRZEWODY+UZIEMIENIE.

TYP KABLA/CABLE TYPE  
 PATRZ TABELA 1/SEE TABLE 1

RODZAJ KABLA/CABLE CROSS SECTION AREA  
 PATRZ TABELA 2/SEE TABLE 2

KOLOR MOULDINGU/HEAD COLOUR:  
 G=SZARY/GREY,  
 N=CZARNY/BLACK,  
 T=PRZEZROCZYSTY/TRANSPARENT,  
 A=CZARNY/BLACK,  
 B=SZARY/GREY.

DLUGOSC KABLA W CM/CABLE LENGHT IN CM  
 NP:050=50 CM, 300=300 CM.

POLOZENIE PINU Z UZIEMIENIEM(PATRZ TABELA ORJENTACJA OBUDOWY)/EARTH PIN LOCATION(SEE INSERT ORIENTATION TABLE):

1=PODWOJNE UZIEMIENIE NA GODZINIE 6 ORAZ 12/DOUBLE EARTH ON 6H AND 12H,  
 2=UZIEMIENIE NA GODZINIE 12/EARTH ON 12H,  
 6=UZIEMIENIE NA GODZINIE 6/EARTH ON 6H,  
 4=PODWOJNE UZIEMIENIE NA GODZINIE 3 ORAZ 9/DOUBLE EARTH ON 3H AND 9H,  
 3=UZIEMIENIE NA GODZINIE 3/EARTH ON 3H,  
 9=UZIEMIENIE NA GODZINIE 9/EARTH ON 9H.

GASKET ORAZ SRUBY/GASKET SCREWS:

1=GASKET PROFILOWANY+SRUBA/NBR PROFILE GASKET+FIXING SCREWS,  
 2=NBR PLASKI GASKET+SRUBA/NBR FLAT GASKET+SCREW,  
 3=SILIKONOWY PROFILOWANY GASKET+SRUBA/SILICONE PROFILE GASKET+SCREW,  
 4=SILIKONOWY PLASKI GASKET+SRUBA/SILICON FLAT GASKET+SCREW,  
 P=ZINTEGROWANY GASKET+SRUBA/INTEGRATED GASKET+FIXING SCREW,  
 R=ZINTEGROWANY GASKET+SRUBA/INTAGRATED GASKET+SCREW,  
 T=PROFILOWANY GASKET+SRUBA, PROFILE GASKET+SCREW.

ORIGINAL RELEASE EC NO: WEU2009-0394 DRWN: MWOLSZCZAK 2009/05/26 CHKD: MDABROWSKA 2009/05/29 APPR: GOGRODNIK 2009/06/08	DESCRIPTION	QUALITY SYMBOLS	GENERAL TOLERANCES (UNLESS SPECIFIED)		DIMENSION STYLE MM ONLY		SCALE ---	DESIGN UNITS METRIC	FIRST ANGLE PROJECTION		
		▽=0 ∇=0	mm	INCH	DRAWN BY	DATE	TITLE MPM E152XXXXXXXXXX				
			4 PLACES ± --- ± ---	3 PLACES ± --- ± ---	MLEVYTSKY	2009/01/21					
			2 PLACES ± --- ± ---	1 PLACE ± --- ± ---	MDABROWSKA	2009/01/21					
		ANGULAR ± ---°			APPROVED BY	DATE	MOLEX INCORPORATED				
					MWOLSZCZAK	2009/01/21	DOCUMENT NO. E152XXXXXXXXXX				
			DRAFT WHERE APPLICABLE MUST REMAIN WITHIN DIMENSIONS		SEE DRAWING		SHEET NO. 2 OF 4				
					SIZE A3	THIS DRAWING CONTAINS INFORMATION THAT IS PROPRIETARY TO MOLEX INCORPORATED AND SHOULD NOT BE USED WITHOUT WRITTEN PERMISSION					