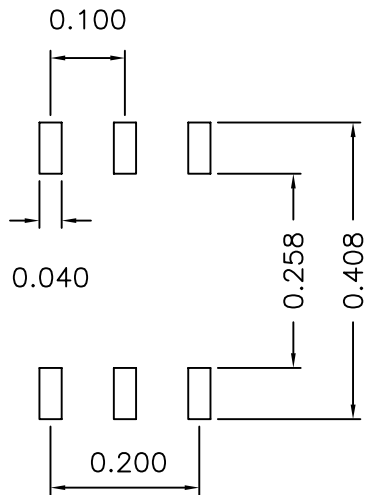
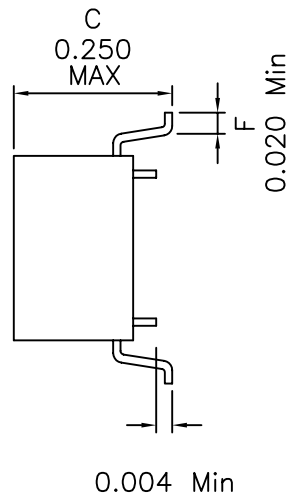
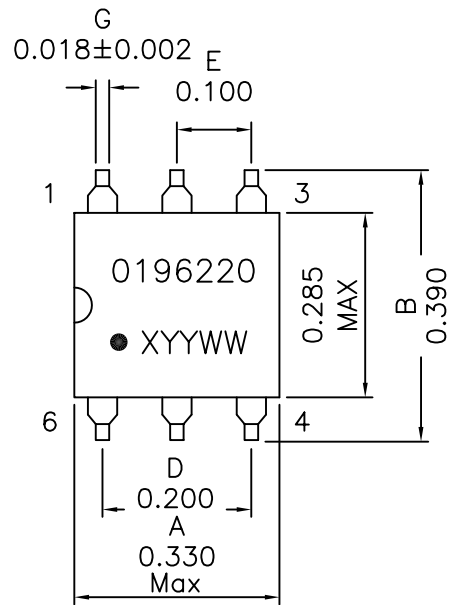


1. Mechanical Dimensions:

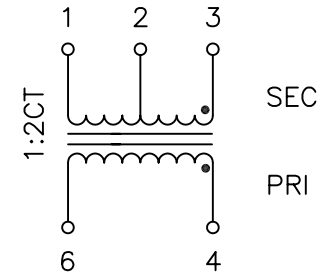


(Suggested Pad Layout)

Notes:

1. Solderability: Leads shall meet MIL-STD-202G, Method 208H for solderability.
2. Flammability: UL94V-0
3. ASTM oxygen index: > 28%
4. Insulation System: Class F 155°C. UL file E151556
5. Operating Temperature Range: All listed parameters are to be within tolerance from -40°C to +85°C
6. Storage Temperature Range: -55°C to +125°C
7. Aqueous wash compatible
8. SMD Lead Coplanarity: ±0.004*(0.102mm)
9. Electrical and mechanical specifications 100% tested
10. RoHS Compliant Component

2. Schematic:



3. Electrical Specifications:

OCL: Pins 4-6 19uH Min @100KHz 50mV

Q: Pins 4-6 8 Min @10KHz 50mV

LL: Pins 4-6 0.06uH Max @1.0MHz 50mV, Short SEC

DCR: Pins 4-6 0.300 Ohms Max

DCR: Pins 3-1 0.250 Ohms Max

CW/W: Pins 4-3 10pF Max @1.0MHz 50mV

BANDWIDTH: 0.250-500MHz Typ with 75 Ohms System

TURNS RATIO: Pins (4-6):(3-2-1)=1:2CT±3%

HIPOT: 1500Vac, PRI to SEC

DOC REV: B/10

XFMRs Inc www.XFMRS.com	Title: TRANSFORMERS		
	UNLESS OTHERWISE SPECIFIED TOLERANCES: .xxx ±0.010 Dimensions in INCH	P/N: XF01962-20	REV. B
SHEET 1 OF 1	DWN.	Mei Chen	May-12-10
	CHK.	YK Liao	May-12-10
	APP.	BW	May-12-10