



NC7SZ08

TinyLogic® UHS Two-Input AND Gate


Features

- Ultra-High Speed: t_{PD} 2.7ns (Typical) into 50pF at 5V V_{CC}
- High Output Drive: $\pm 24mA$ at 3V V_{CC}
- Broad V_{CC} Operating Range: 1.65V to 5.5V
- Matches Performance of LCX Operated at 3.3V V_{CC}
- Power Down High Impedance Inputs/Outputs
- Over-Voltage Tolerance inputs facilitate 5V to 3V Translation
- Proprietary Noise/EMI Reduction Circuitry
- Ultra-Small MicroPak™ Packages
- Space-Saving SOT23 and SC70 Packages

Description

The NC7SZ08 is a single two-input AND gate from Fairchild's Ultra-High Speed (UHS) series of TinyLogic®. The device is fabricated with advanced CMOS technology to achieve ultra-high speed with high output drive while maintaining low static power dissipation over a broad V_{CC} operating range. The device is specified to operate over the 1.65V to 5.5V V_{CC} operating range. The inputs and output are high impedance when V_{CC} is 0V. Inputs tolerate voltages up to 6V, independent of V_{CC} operating voltage.

Ordering Information

| Part Number | Top Mark |  Eco Status | Package | Packing Method |
|-------------|----------|--|--|---------------------------|
| NC7SZ08M5X | 7Z08 | RoHS | 5-Lead SOT23, JEDEC MO-178 1.6mm | 3000 Units on Tape & Reel |
| NC7SZ08P5X | Z08 | RoHS | 5-Lead SC70, EIAJ SC-88a, 1.25mm Wide | 3000 Units on Tape & Reel |
| NC7SZ08L6X | GG | RoHS | 6-Lead MicroPak™, 1.00mm Wide | 5000 Units on Tape & Reel |
| NC7SZ08FHX | GG | Green | 6-Lead, MicroPak2, 1x1mm Body, .35mm Pitch | 5000 Units on Tape & Reel |

 For Fairchild's definition of Eco Status, please visit: http://www.fairchildsemi.com/company/green/rohs_green.html.

Connection Diagrams



Figure 1. Logic Symbol

Pin Configurations

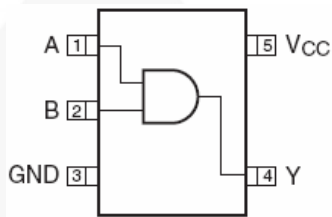


Figure 2. SC70 and SOT23 (Top View)

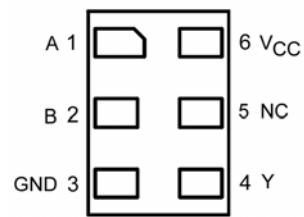


Figure 3. MicroPak (Top Through View)

Pin Definitions

| Pin # SC70 / SOT23 | Pin # MicroPak | Name | Description |
|--------------------|----------------|-----------------|----------------|
| 1 | 1 | A | Input |
| 2 | 2 | B | Input |
| 3 | 3 | GND | Ground |
| 4 | 4 | Y | Output |
| 5 | 6 | V _{CC} | Supply Voltage |
| | 5 | NC | No Connect |

Function Table

Y=AB

| Inputs | | Output |
|--------|---|--------|
| A | B | Y |
| L | L | L |
| L | H | L |
| H | L | L |
| H | H | H |

H = HIGH Logic Level

L = LOW Logic Level

Absolute Maximum Ratings

Stresses exceeding the absolute maximum ratings may damage the device. The device may not function or be operable above the recommended operating conditions and stressing the parts to these levels is not recommended. In addition, extended exposure to stresses above the recommended operating conditions may affect device reliability. The absolute maximum ratings are stress ratings only.

| Symbol | Parameter | Min. | Max. | Unit | |
|-----------------------|---|----------------------------|----------|-------------|----|
| V_{CC} | Supply Voltage | -0.5 | 6.0 | V | |
| V_{IN} | DC Input Voltage | -0.5 | 6.0 | V | |
| V_{OUT} | DC Output Voltage | -0.5 | 6.0 | V | |
| I_{IK} | DC Input Diode Current | $V_{IN} < -0.5V$ | | -50 | mA |
| | | $V_{IN} > 6.0V$ | | +20 | |
| I_{OK} | DC Output Diode Current | $V_{OUT} < -0.5V$ | | -50 | mA |
| | | $V_{OUT} > 6V, V_{CC}=GND$ | | +20 | |
| I_{OUT} | DC Output Current | | ± 50 | mA | |
| I_{CC} or I_{GND} | DC V_{CC} or Ground Current | | ± 50 | mA | |
| T_{STG} | Storage Temperature Range | -65 | +150 | $^{\circ}C$ | |
| T_J | Junction Temperature Under Bias | | +150 | $^{\circ}C$ | |
| T_L | Junction Lead Temperature (Soldering, 10 Seconds) | | +260 | $^{\circ}C$ | |
| P_D | Power Dissipation at +85 $^{\circ}C$ | SOT-23 | | 200 | mW |
| | | SC70-5 | | 150 | |
| | | MicroPak-6 | | 130 | |
| | | MicroPak2-6 | | 120 | |
| ESD | Human Body Model, JESD22-A114 | | | 4000 | V |
| | Charged Device Model, JESD22-C101 | | | 2000 | |

Recommended Operating Conditions

The Recommended Operating Conditions table defines the conditions for actual device operation. Recommended operating conditions are specified to ensure optimal performance to the datasheet specifications. Fairchild does not recommend exceeding them or designing to Absolute Maximum Ratings.

| Symbol | Parameter | Conditions | Min. | Max. | Unit |
|---------------|-------------------------------|-----------------------------------|------|----------|---------------|
| V_{CC} | Supply Voltage Operating | | 1.65 | 5.50 | V |
| | Supply Voltage Data Retention | | 1.50 | 5.50 | |
| V_{IN} | Input Voltage | | 0 | 5.5 | V |
| V_{OUT} | Output Voltage | | 0 | V_{CC} | V |
| T_A | Operating Temperature | | -40 | +85 | $^{\circ}C$ |
| t_r, t_f | Input Rise and Fall Times | V_{CC} at 1.8V, 2.5V \pm 0.2V | 0 | 20 | ns/V |
| | | V_{CC} at 3.3V \pm 0.3V | 0 | 10 | |
| | | V_{CC} at 5.0V \pm 0.5V | 0 | 5 | |
| θ_{JA} | Thermal Resistance | SOT-23 | | 300 | $^{\circ}C/W$ |
| | | SC70-5 | | 425 | |
| | | MicroPak-6 | | 500 | |
| | | MicroPak2-6 | | 560 | |

Note:

- Unused inputs must be held HIGH or LOW. They may not float.

DC Electrical Characteristics

| Symbol | Parameter | V _{CC} | Conditions | T _A =25°C | | | T _A =-40 to +85°C | | Units |
|------------------|---------------------------|-----------------|--|----------------------|------|---------------------|------------------------------|---------------------|-------|
| | | | | Min. | Typ. | Max. | Min. | Max. | |
| V _{IH} | HIGH Level Input Voltage | 1.65 to 1.95 | | 0.75V _{CC} | | | 0.75V _{CC} | | V |
| | | 2.30 to 5.50 | | 0.70V _{CC} | | | 0.70V _{CC} | | |
| V _{IL} | LOW Level Input Voltage | 1.65 to 1.95 | | | | 0.25V _{CC} | | 0.25V _{CC} | V |
| | | 2.30 to 5.50 | | | | 0.30V _{CC} | | 0.30V _{CC} | |
| V _{OH} | HIGH Level Output Voltage | 1.65 | V _{IN} =V _{IH} , I _{OH} =-100μA | 1.55 | 1.65 | | 1.55 | | V |
| | | 1.80 | | 1.70 | 1.80 | | 1.70 | | |
| | | 2.30 | | 2.20 | 2.30 | | 2.20 | | |
| | | 3.00 | | 2.90 | 3.00 | | 2.90 | | |
| | | 4.50 | | 4.40 | 4.50 | | 4.40 | | |
| | | 1.65 | I _{OH} =-4mA | 1.29 | 1.52 | | 1.29 | | |
| | | 2.30 | I _{OH} =-8mA | 1.90 | 2.15 | | 1.90 | | |
| | | 3.00 | I _{OH} =-16mA | 2.50 | 2.80 | | 2.40 | | |
| | | 3.00 | I _{OH} =-24mA | 2.40 | 2.68 | | 2.30 | | |
| | | 4.50 | I _{OH} =-32mA | 3.90 | 4.20 | | 3.80 | | |
| V _{OL} | LOW Level Output Voltage | 1.65 | V _{IN} =V _{IL} , I _{OL} =100μA | | 0.00 | 0.10 | | 0.10 | V |
| | | 1.80 | | | 0.00 | 0.10 | | 0.10 | |
| | | 2.30 | | | 0.00 | 0.10 | | 0.10 | |
| | | 3.00 | | | 0.00 | 0.10 | | 0.10 | |
| | | 4.50 | | | 0.00 | 0.10 | | 0.10 | |
| | | 1.65 | I _{OL} =4mA | | 0.80 | 0.24 | | 0.24 | |
| | | 2.30 | I _{OL} =8mA | | 0.10 | 0.30 | | 0.30 | |
| | | 3.00 | I _{OL} =16mA | | 0.15 | 0.40 | | 0.40 | |
| | | 3.00 | I _{OL} =24mA | | 0.22 | 0.55 | | 0.55 | |
| | | 4.50 | I _{OL} =32mA | | 0.22 | 0.55 | | 0.55 | |
| I _{IN} | Input Leakage Current | 0 to 5.5 | V _{IN} =5.5V, GND | | | ±1 | | ±10 | μA |
| I _{OFF} | Power Off Leakage Current | 0 | V _{IN} or V _{OUT} =5.5V | | | 1 | | 10 | μA |
| I _{CC} | Quiescent Supply Current | 1.65 to 5.50 | V _{IN} =5.5V, GND | | | 2 | | 20 | μA |

AC Electrical Characteristics

| Symbol | Parameter | V _{CC} | Conditions | T _A =25°C | | | T _A =-40 to +85°C | | Units | Figure |
|-------------------------------------|--|-----------------|--|---|------|------|------------------------------|------|----------|----------------------|
| | | | | Min. | Typ. | Max. | Min. | Max. | | |
| t _{PLH} , t _{PHL} | Propagation Delay | 1.65 | C _L =15pF, R _L =1MΩ | 2.0 | 6.3 | 12.0 | 2.0 | 12.7 | ns | Figure 4 Figure 5 |
| | | 1.80 | | 2.0 | 5.2 | 10.0 | 2.0 | 10.5 | | |
| | | 2.50 ± 0.20 | | 0.8 | 3.4 | 7.0 | 0.8 | 7.5 | | |
| | | 3.30 ± 0.30 | | 0.5 | 2.6 | 4.7 | 0.5 | 5.0 | | |
| | | 5.00 ± 0.50 | | 0.5 | 2.2 | 4.1 | 0.5 | 4.4 | | |
| | | 3.30 ± 0.30 | | C _L =50pF, R _L =500Ω | 1.5 | 3.3 | 5.2 | 1.5 | | |
| | | 5.00 ± 0.50 | 0.8 | | 2.7 | 4.5 | 0.8 | 4.8 | | |
| C _{IN} | Input Capacitance | 0.00 | | | 4 | | | pF | | |
| C _{PD} | Power Dissipation Capacitance ⁽²⁾ | 3.30 | | | 20 | | | pF | Figure 6 | |
| | | 5.00 | | | 25 | | | | | |

Note:

2. C_{PD} is defined as the value of the internal equivalent capacitance which is derived from dynamic operating current consumption (I_{CCD}) at no output loading and operating at 50% duty cycle. C_{PD} is related to I_{CCD} dynamic operating current by the expression: I_{CCD}=(C_{PD})(V_{CC})(f_{IN})+(I_{CCStatic}).

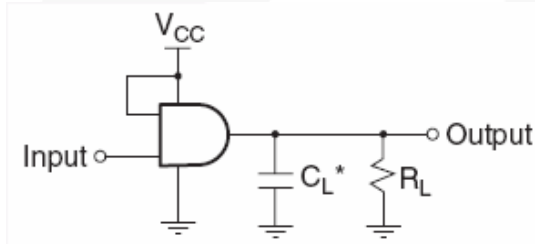


Figure 4. AC Test Circuit

Notes:

3. C_L includes load and stray capacitance.
4. Input PRR=1.0MHz; t_w500ns.

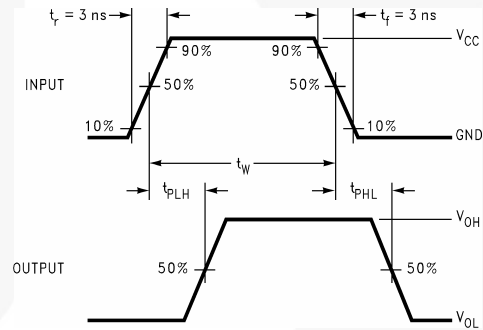
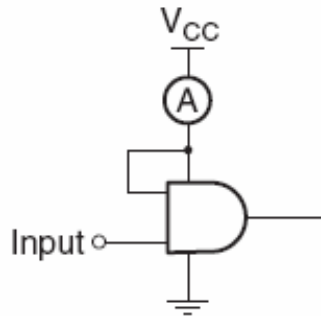


Figure 5. AC Waveforms



Note:

5. Input=AC Waveform; t_r=t_f=1.8ns; PRR=10MHz; Duty Cycle=50%.

Figure 6. I_{CCD} Test Circuit

Physical Dimensions

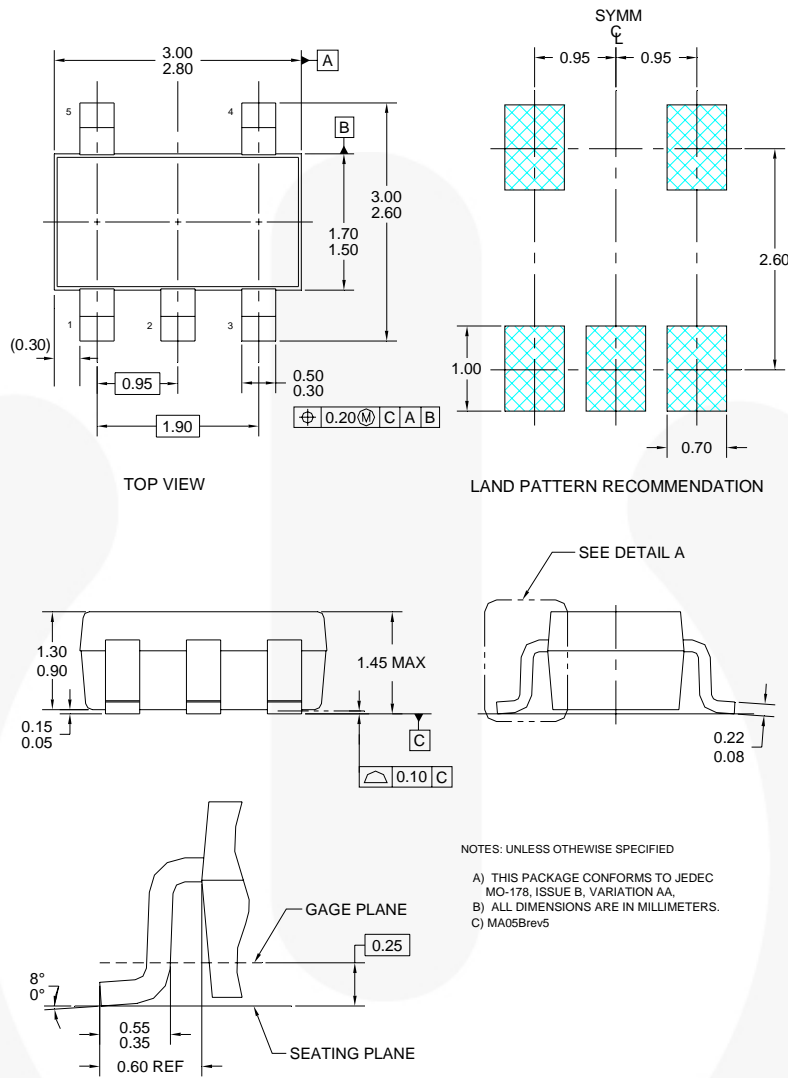


Figure 7. 5-Lead SOT23, JEDEC MO-178 1.6mm

Package drawings are provided as a service to customers considering Fairchild components. Drawings may change in any manner without notice. Please note the revision and/or date on the drawing and contact a Fairchild Semiconductor representative to verify or obtain the most recent revision. Package specifications do not expand the terms of Fairchild's worldwide terms and conditions, specifically the warranty therein, which covers Fairchild products.

Always visit Fairchild Semiconductor's online packaging area for the most recent package drawings:
<http://www.fairchildsemi.com/packaging/>

Tape and Reel Specifications

Please visit Fairchild Semiconductor's online packaging area for the most recent tape and reel specifications:
http://www.fairchildsemi.com/packaging/SOT23-5L_tr.pdf

| Package Designator | Tape Section | Cavity Number | Cavity Status | Cover Type Status |
|--------------------|--------------------|---------------|---------------|-------------------|
| M5X | Leader (Start End) | 125 (Typical) | Empty | Sealed |
| | Carrier | 3000 | Filled | Sealed |
| | Trailer (Hub End) | 75 (Typical) | Empty | Sealed |

Physical Dimensions

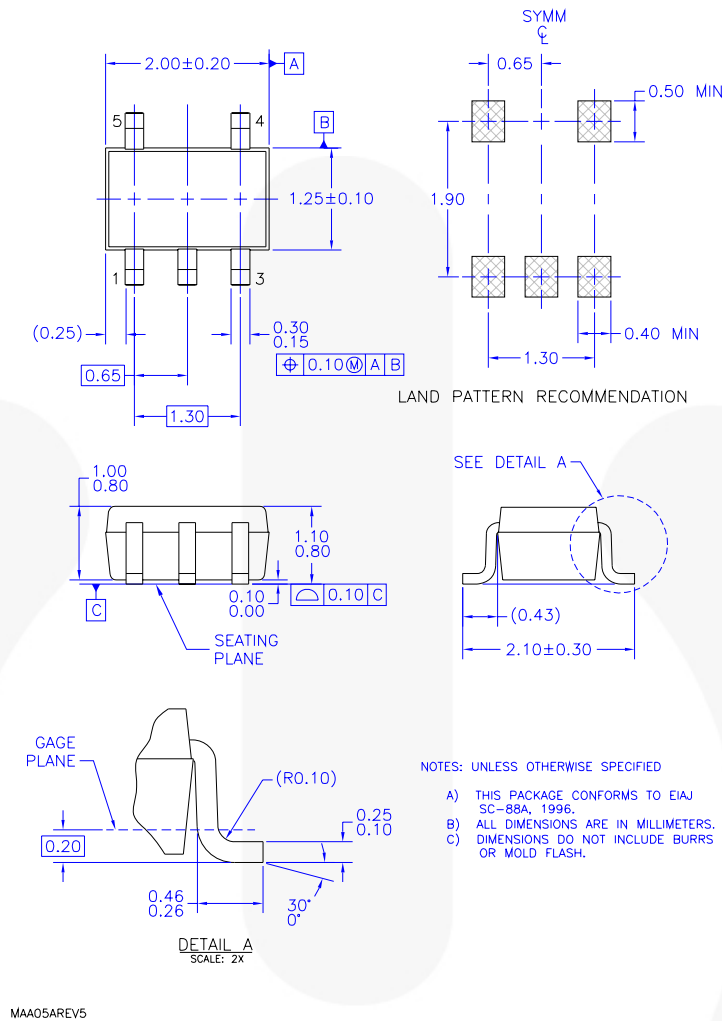


Figure 8. 5-Lead, SC70, EIAJ SC-88a, 1.25mm Wide

Package drawings are provided as a service to customers considering Fairchild components. Drawings may change in any manner without notice. Please note the revision and/or date on the drawing and contact a Fairchild Semiconductor representative to verify or obtain the most recent revision. Package specifications do not expand the terms of Fairchild's worldwide terms and conditions, specifically the warranty therein, which covers Fairchild products.

Always visit Fairchild Semiconductor's online packaging area for the most recent package drawings:
<http://www.fairchildsemi.com/packaging/>.

Tape and Reel Specifications

Please visit Fairchild Semiconductor's online packaging area for the most recent tape and reel specifications:
http://www.fairchildsemi.com/products/analog/pdf/sc70-5_tr.pdf.

| Package Designator | Tape Section | Cavity Number | Cavity Status | Cover Type Status |
|--------------------|--------------------|---------------|---------------|-------------------|
| P5X | Leader (Start End) | 125 (Typical) | Empty | Sealed |
| | Carrier | 3000 | Filled | Sealed |
| | Trailer (Hub End) | 75 (Typical) | Empty | Sealed |

Physical Dimensions



Notes:

1. CONFORMS TO JEDEC STANDARD M0-252 VARIATION UAAD
2. DIMENSIONS ARE IN MILLIMETERS
3. DRAWING CONFORMS TO ASME Y14.5M-1994

MAC06AREVC

Figure 9. 6-Lead, MicroPak™, 1.0mm Wide

Package drawings are provided as a service to customers considering Fairchild components. Drawings may change in any manner without notice. Please note the revision and/or date on the drawing and contact a Fairchild Semiconductor representative to verify or obtain the most recent revision. Package specifications do not expand the terms of Fairchild's worldwide terms and conditions, specifically the warranty therein, which covers Fairchild products.

Always visit Fairchild Semiconductor's online packaging area for the most recent package drawings:
<http://www.fairchildsemi.com/packaging/>

Tape and Reel Specifications

Please visit Fairchild Semiconductor's online packaging area for the most recent tape and reel specifications:
http://www.fairchildsemi.com/products/logic/pdf/micropak_tr.pdf

| Package Designator | Tape Section | Cavity Number | Cavity Status | Cover Type Status |
|--------------------|--------------------|---------------|---------------|-------------------|
| L6X | Leader (Start End) | 125 (Typical) | Empty | Sealed |
| | Carrier | 5000 | Filled | Sealed |
| | Trailer (Hub End) | 75 (Typical) | Empty | Sealed |

Physical Dimensions

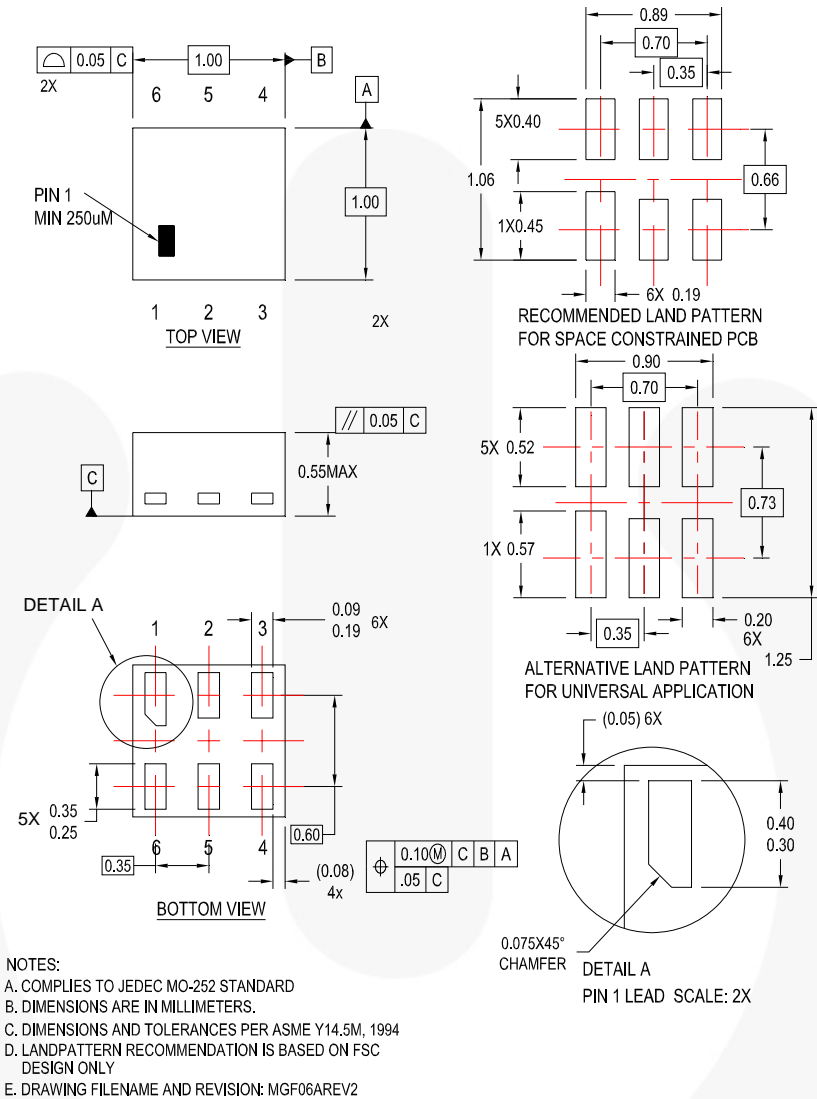


Figure 10. 6-Lead, MicroPak2, 1x1mm Body, .35mm Pitch

Package drawings are provided as a service to customers considering Fairchild components. Drawings may change in any manner without notice. Please note the revision and/or date on the drawing and contact a Fairchild Semiconductor representative to verify or obtain the most recent revision. Package specifications do not expand the terms of Fairchild's worldwide terms and conditions, specifically the warranty therein, which covers Fairchild products.

Always visit Fairchild Semiconductor's online packaging area for the most recent package drawings:
<http://www.fairchildsemi.com/packaging/>

Tape and Reel Specification


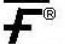

Please visit Fairchild Semiconductor's online packaging area for the most recent tape and reel specifications:
http://www.fairchildsemi.com/packaging/MicroPAK2_6L_tr.pdf

| Package Designator | Tape Section | Cavity Number | Cavity Status | Cover Type Status |
|--------------------|--------------------|---------------|---------------|-------------------|
| FHX | Leader (Start End) | 125 (Typical) | Empty | Sealed |
| | Carrier | 5000 | Filled | Sealed |
| | Trailer (Hub End) | 75 (Typical) | Empty | Sealed |



TRADEMARKS

The following includes registered and unregistered trademarks and service marks, owned by Fairchild Semiconductor and/or its global subsidiaries, and is not intended to be an exhaustive list of all such trademarks.

- | | | | |
|---|---|---|---|
| AccuPower™ | FPS™ | PowerTrench® | The Power Franchise® |
| Auto-SPM™ | F-PFS™ | PowerXS™ | the power franchise |
| Build it Now™ | FRFET® | Programmable Active Droop™ | TinyBoost™ |
| CorePLUS™ | Global Power Resource™ | QFET® | TinyBuck™ |
| CorePOWER™ | Green FPS™ | QST™ | TinyCalc™ |
| CROSSVOLT™ | Green FPS™ e-Series™ | Quiet Series™ | TinyLogic™ |
| CTL™ | Gmax™ | RapidConfigure™ | TINYOPTO™ |
| Current Transfer Logic™ | GTO™ |  | TinyPower™ |
| EcoSPARK® | IntelliMAX™ | Saving our world, 1mW/W/kW at a time™ | TinyPWM™ |
| EfficientMax™ | ISOPLANAR™ | SignalWise™ | TinyWire™ |
| EZSWITCH™ | MegaBuck™ | SmartMax™ | TriFault Detect™ |
|  | MICROCOUPLER™ | SMART START™ | TRUECURRENT™ |
|  | MicroFET™ | SPM® | μSerDes™ |
| Fairchild® | MicroPak™ | STEALTH™ |  |
| Fairchild Semiconductor® | MillerDrive™ | SuperFET™ | UHC® |
| FACT Quiet Series™ | MotionMax™ | SuperSOT™.3 | Ultra FRFET™ |
| FACT® | Motion-SPM™ | SuperSOT™.6 | UniFET™ |
| FAST® | OPTOLOGIC® | SuperSOT™.8 | Vcx™ |
| FastvCore™ | OPTOPLANAR® | SupreMOS™ | VisualMax™ |
| FETBench™ |  | SyncFET™ | XST™ |
| FlashWriter® | PDP-SPM™ | Sync-Lock™ | |
| | Power-SPM™ |  | |

* Trademarks of System General Corporation, used under license by Fairchild Semiconductor.

DISCLAIMER

FAIRCHILD SEMICONDUCTOR RESERVES THE RIGHT TO MAKE CHANGES WITHOUT FURTHER NOTICE TO ANY PRODUCTS HEREIN TO IMPROVE RELIABILITY, FUNCTION, OR DESIGN. FAIRCHILD DOES NOT ASSUME ANY LIABILITY ARISING OUT OF THE APPLICATION OR USE OF ANY PRODUCT OR CIRCUIT DESCRIBED HEREIN; NEITHER DOES IT CONVEY ANY LICENSE UNDER ITS PATENT RIGHTS, NOR THE RIGHTS OF OTHERS. THESE SPECIFICATIONS DO NOT EXPAND THE TERMS OF FAIRCHILD'S WORLDWIDE TERMS AND CONDITIONS, SPECIFICALLY THE WARRANTY THEREIN, WHICH COVERS THESE PRODUCTS.

LIFE SUPPORT POLICY

FAIRCHILD'S PRODUCTS ARE NOT AUTHORIZED FOR USE AS CRITICAL COMPONENTS IN LIFE SUPPORT DEVICES OR SYSTEMS WITHOUT THE EXPRESS WRITTEN APPROVAL OF FAIRCHILD SEMICONDUCTOR CORPORATION.

As used herein:

- Life support devices or systems are devices or systems which, (a) are intended for surgical implant into the body or (b) support or sustain life, and (c) whose failure to perform when properly used in accordance with instructions for use provided in the labeling, can be reasonably expected to result in a significant injury of the user.
- A critical component in any component of a life support, device, or system whose failure to perform can be reasonably expected to cause the failure of the life support device or system, or to affect its safety or effectiveness.

ANTI-COUNTERFEITING POLICY

Fairchild Semiconductor Corporation's Anti-Counterfeiting Policy. Fairchild's Anti-Counterfeiting Policy is also stated on our external website, www.fairchildsemi.com, under Sales Support.

Counterfeiting of semiconductor parts is a growing problem in the industry. All manufacturers of semiconductor products are experiencing counterfeiting of their parts. Customers who inadvertently purchase counterfeit parts experience many problems such as loss of brand reputation, substandard performance, failed applications, and increased cost of production and manufacturing delays. Fairchild is taking strong measures to protect ourselves and our customers from the proliferation of counterfeit parts. Fairchild strongly encourages customers to purchase Fairchild parts either directly from Fairchild or from Authorized Fairchild Distributors who are listed by country on our web page cited above. Products customers buy either from Fairchild directly or from Authorized Fairchild Distributors are genuine parts, have full traceability, meet Fairchild's quality standards for handling and storage and provide access to Fairchild's full range of up-to-date technical and product information. Fairchild and our Authorized Distributors will stand behind all warranties and will appropriately address any warranty issues that may arise. Fairchild will not provide any warranty coverage or other assistance for parts bought from Unauthorized Sources. Fairchild is committed to combat this global problem and encourage our customers to do their part in stopping this practice by buying direct or from authorized distributors.

PRODUCT STATUS DEFINITIONS

Definition of Terms

| Datasheet Identification | Product Status | Definition |
|--------------------------|-----------------------|---|
| Advance Information | Formative / In Design | Datasheet contains the design specifications for product development. Specifications may change in any manner without notice. |
| Preliminary | First Production | Datasheet contains preliminary data; supplementary data will be published at a later date. Fairchild Semiconductor reserves the right to make changes at any time without notice to improve design. |
| No Identification Needed | Full Production | Datasheet contains final specifications. Fairchild Semiconductor reserves the right to make changes at any time without notice to improve the design. |
| Obsolete | Not In Production | Datasheet contains specifications on a product that is discontinued by Fairchild Semiconductor. The datasheet is for reference information only. |

Rev. 142