

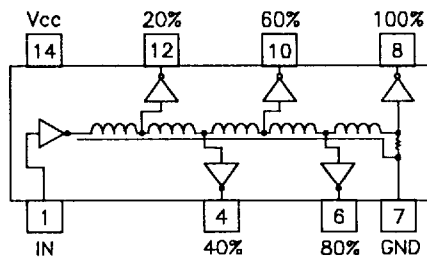
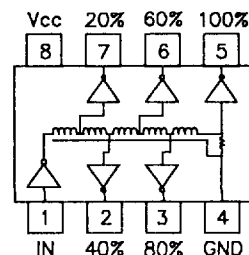
Electrical Specifications at 25°C

Delay Tolerances		TTL Buffered 5 Tap Modules		FAST Buffered 5 Tap Modules	
Total (ns)	Tap-to-Tap (ns)	14 Pin Part Number	8 Pin Part Number	14 Pin Part Number	8 Pin Part Number
7 ± 1.00	** 1 ± 0.5	-----	-----	**FAIDM-7	**FAMDM-7
9 ± 1.00	** 1 ± 0.5	**AIDM-9	**AMD-9	-----	-----
11 ± 1.00	** 2 ± 1.0	-----	-----	**FAIDM-11	**FAMDM-11
13 ± 2.00	** 2 ± 1.0	**AIDM-13	**AMD-13	-----	-----
15 ± 1.00	3 ± 1.0	-----	-----	FAIDM-15	FAMDM-15
17 ± 2.00	** 3 ± 1.0	**AIDM-17	**AMD-17	-----	-----
20 ± 2.00	4 ± 1.5	AIDM-20	AMD-20	FAIDM-20	FAMDM-20
25 ± 2.00	5 ± 2.0	AIDM-25	AMD-25	FAIDM-25	FAMDM-25
30 ± 2.00	6 ± 2.0	AIDM-30	AMD-30	FAIDM-30	FAMDM-30
35 ± 2.00	7 ± 2.0	AIDM-35	AMD-35	FAIDM-35	FAMDM-35
40 ± 2.00	8 ± 2.0	AIDM-40	AMD-40	FAIDM-40	FAMDM-40
45 ± 2.25	9 ± 2.0	AIDM-45	AMD-45	FAIDM-45	FAMDM-45
50 ± 2.50	10 ± 2.0	AIDM-50	AMD-50	FAIDM-50	FAMDM-50
60 ± 3.00	12 ± 2.0	AIDM-60	AMD-60	FAIDM-60	FAMDM-60
75 ± 3.75	15 ± 2.5	AIDM-75	AMD-75	FAIDM-75	FAMDM-75
80 ± 4.00	16 ± 2.5	AIDM-80	AMD-80	FAIDM-80	FAMDM-80
100 ± 5.00	20 ± 3.0	AIDM-100	AMD-100	FAIDM-100	FAMDM-100
125 ± 6.25	25 ± 3.0	AIDM-125	AMD-125	FAIDM-125	FAMDM-125
150 ± 7.50	30 ± 3.0	AIDM-150	AMD-150	FAIDM-150	FAMDM-150
175 ± 8.75	35 ± 3.5	AIDM-175	AMD-175	FAIDM-175	FAMDM-175
200 ± 10.00	40 ± 4.0	AIDM-200	AMD-200	FAIDM-200	FAMDM-200
250 ± 12.50	50 ± 5.0	AIDM-250	AMD-250	FAIDM-250	FAMDM-250
300 ± 15.00	60 ± 6.0	AIDM-300	AMD-300	FAIDM-300	FAMDM-300
350 ± 17.50	70 ± 7.0	AIDM-350	AMD-350	FAIDM-350	FAMDM-350
400 ± 20.00	80 ± 8.0	AIDM-400	AMD-400	FAIDM-400	FAMDM-400
500 ± 25.00	100 ± 10.0	AIDM-500	AMD-500	FAIDM-500	FAMDM-500

\*\* These part numbers do not have 5 equal taps. Specified Tap-to-Tap Delays are referenced to Tap 1: 5 ± 2 ns for AIDM/AMD, 3 ± 1 ns for FAIDM/FAMDM.

# 5-Tap TTL & FAST Delay Modules

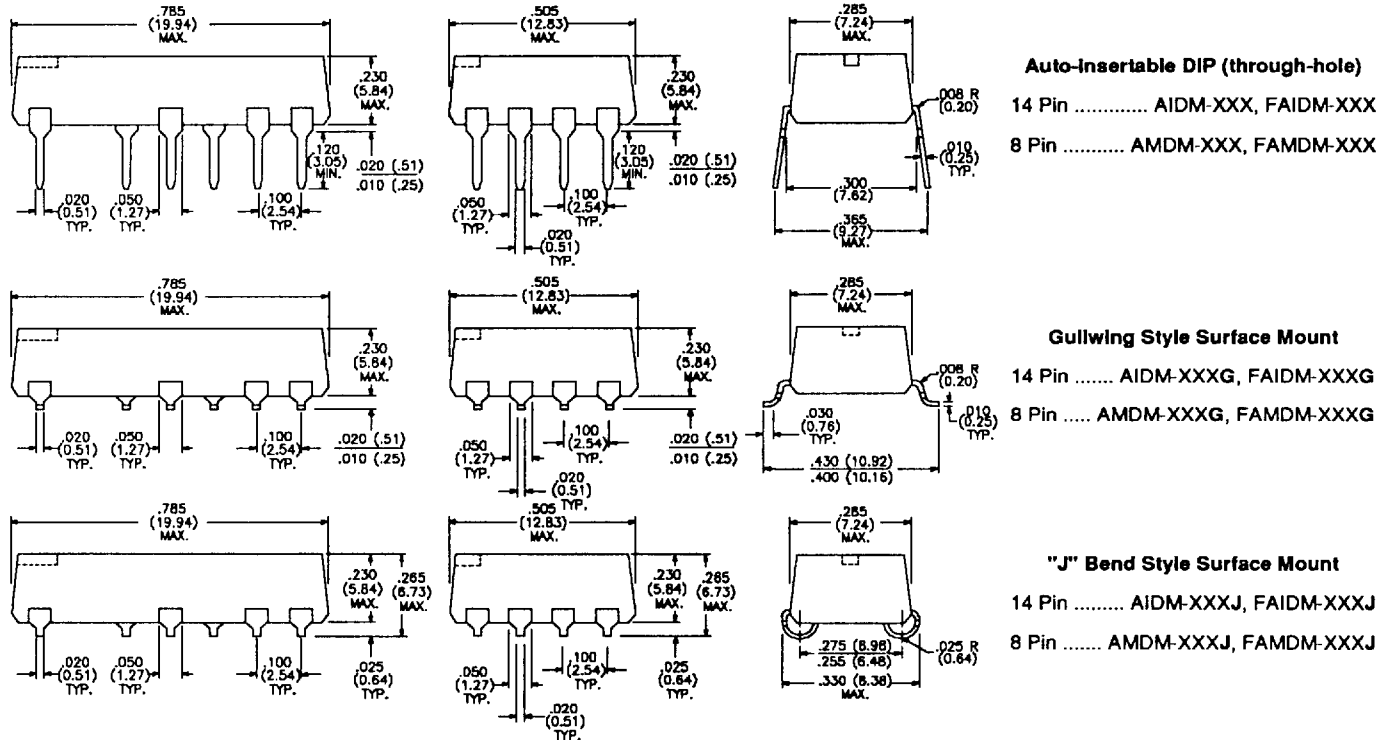
5 Evenly Spaced Delays  
Except as noted \*\*



**GENERAL:** For Operating Specifications and Test Conditions, see Tables I and VII on page 7 of this catalog. Delays specified for the Leading Edge.

Tap Delays referenced to Input ..... ± 5% or ± 2 ns  
 Minimum Input Pulse Width ..... 40% of total delay  
 Temperature Coefficient of Delay ..... 500ppm/°C typical  
 Supply Current, I<sub>cc</sub> :  
 AIDM, AMDM ..... 39 mA typ., 65 mA max.  
 FAIDM, FAMDM ..... 25 mA typ., 48 mA max.

## PHYSICAL DIMENSIONS: inches (mm)



VARIATIONS AVAILABLE. FOR INTERMEDIATE VALUES AND/OR CUSTOM DESIGNS PLEASE CONSULT THE FACTORY.

Specifications subject to change without notice.

TTLSTAP-6/93

**Rhombus Industries Inc.**  
Delay Lines & Pulse Transformers

15801 Chemical Lane,  
Huntington Beach, CA 92649-1595  
Phone: (714) 898-0960 • FAX: (714) 896-0971