

DATA SHEET

P14/8/I

P cores and accessories

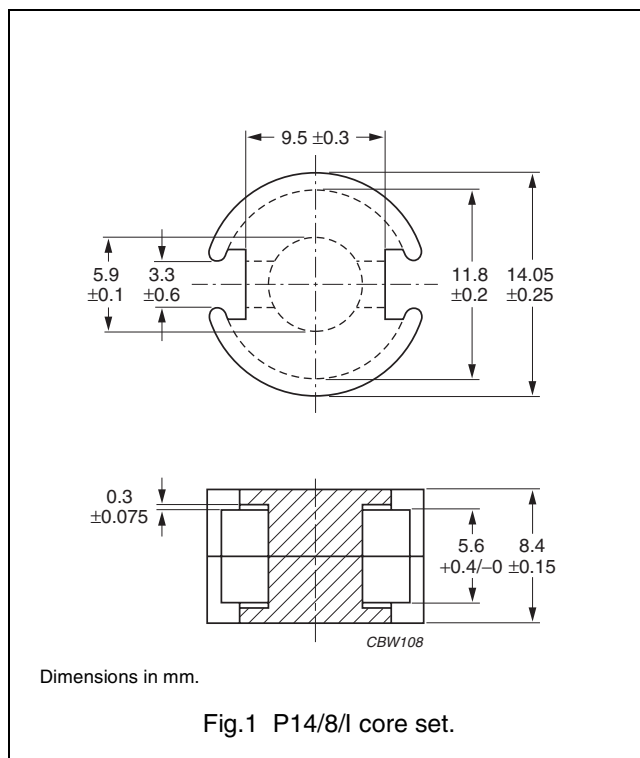
Supersedes data of September 2004

2008 Sep 01

CORE SETS

Effective core parameters

SYMBOL	PARAMETER	VALUE	UNIT
$\Sigma(l/A)$	core factor (C1)	0.700	mm ⁻¹
V_e	effective volume	628	mm ³
l_e	effective length	21.0	mm
A_e	effective area	29.9	mm ²
A_{min}	minimum area	23.6	mm ²
m	mass of set	≈ 3.5	g



Core sets for general purpose transformers and power applications

Clamping force for A_L measurements, 15 ± 5 N.

GRADE	A_L (nH)	μ_e	AIR GAP (μm)	TYPE NUMBER
3C81	100 ± 3%	≈ 56	≈ 470	P14/8/I-3C81-A100
	160 ± 3%	≈ 89	≈ 270	P14/8/I-3C81-A160
	250 ± 3%	≈ 140	≈ 160	P14/8/I-3C81-A250
	315 ± 5%	≈ 176	≈ 120	P14/8/I-3C81-A315
	400 ± 5%	≈ 224	≈ 95	P14/8/I-3C81-A400
	2900 ± 25%	≈ 1620	≈ 0	P14/8/I-3C81
3C91 <small>des</small>	2900 ± 25%	≈ 1620	≈ 0	P14/8/I-3C91
3F3	100 ± 3%	≈ 56	≈ 470	P14/8/I-3F3-A100
	160 ± 3%	≈ 89	≈ 270	P14/8/I-3F3-A160
	250 ± 3%	≈ 140	≈ 160	P14/8/I-3F3-A250
	315 ± 5%	≈ 176	≈ 120	P14/8/I-3F3-A315
	400 ± 5%	≈ 224	≈ 95	P14/8/I-3F3-A400
	2400 ± 25%	≈ 1340	≈ 0	P14/8/I-3F3

Properties of core sets under power conditions

GRADE	B (mT) at	CORE LOSS (W) at			
	H = 250 A/m; f = 25 kHz; T = 100 °C	f = 25 kHz; B = 200 mT; T = 100 °C	f = 100 kHz; B = 100 mT; T = 100 °C	f = 100 kHz; B = 200 mT; T = 100 °C	f = 400 kHz; B = 50 mT; T = 100 °C
3C81	≥320	≤ 0.15	–	–	–
3C91	≥315	–	≤ 0.032 ⁽¹⁾	≤ 0.24 ⁽¹⁾	–
3F3	≥315	–	≤ 0.07	–	≤ 0.12

Note

1. Measured at 60 °C.

BOBBINS AND ACCESSORIES

Coil formers, winding data and mounting parts are equal to those of “P14/8”, but “area product” is different.

Winding data and area product (for P14/8/I) for CP-P14/8 coil former

NUMBER OF SECTIONS	WINDING AREA (mm ²)	MINIMUM WINDING WIDTH (mm)	AVERAGE LENGTH OF TURN (mm)	AREA PRODUCT Ae x Aw (mm ⁴)	TYPE NUMBER
1	8.8	4.1	28.9	263	CP-P14/8-1S
2	2 × 4.0	2 × 1.85	28.9	2 × 120	CP-P14/8-2S

Winding data and area product (for P14/8/I) for CP-P14/8-A coil former

NUMBER OF SECTIONS	MINIMUM WINDING AREA (mm ²)	NOMINAL WINDING WIDTH (mm)	AVERAGE LENGTH OF TURN (mm)	AREA PRODUCT Ae x Aw (mm ⁴)	TYPE NUMBER
1	9.4	4.5	29.0	281	CP-P14/8-1S-A
2	2 × 4.32	2 × 2.0	29.0	2 × 129	CP-P14/8-2S-A
3	3 × 2.19	3 × 1.2	29.0	3 × 65.5	CP-P14/8-3S-A

Winding data and area product (for P14/8/I) for 4-pins P14/8 coil former for PCB mounting

NUMBER OF SECTIONS	MINIMUM WINDING AREA (mm ²)	NOMINAL WINDING WIDTH (mm)	AVERAGE LENGTH OF TURN (mm)	LENGTH OF PINS (mm)	AREA PRODUCT Ae x Aw (mm ⁴)	TYPE NUMBER
1	8.65	4.4	29.0	4.4	259	CPV-P14/8-1S-4SPD
1	8.65	4.4	29.0	6.8	259	CPV-P14/8-1S-4SPDL
2	2 × 3.87	2 × 2.0	29.0	4.4	2 × 116	CPV-P14/8-2S-4SPD
2	2 × 3.87	2 × 2.0	29.0	6.8	2 × 116	CPV-P14/8-2S-4SPDL

P cores and accessories

P14/8/I

Winding data and area product (for P14/8/I) for 6-pins P14/8 coil former for PCB mounting

NUMBER OF SECTIONS	MINIMUM WINDING AREA (mm ²)	NOMINAL WINDING WIDTH (mm)	AVERAGE LENGTH OF TURN (mm)	LENGTH OF PINS (mm)	AREA PRODUCT Ae x Aw (mm ⁴)	TYPE NUMBER
1	8.65	4.4	29.0	4.4	259	CPV-P14/8-1S-6PD
1	8.65	4.4	29.0	6.8	259	CPV-P14/8-1S-6PDL
2	2 × 3.87	2 × 2.0	29.0	4.4	2 x 116	CPV-P14/8-2S-6PD
2	2 × 3.87	2 × 2.0	29.0	6.8	2 x 116	CPV-P14/8-2S-6PDL




DATA SHEET STATUS DEFINITIONS

DATA SHEET STATUS	PRODUCT STATUS	DEFINITIONS
Preliminary specification	Development	This data sheet contains preliminary data. Ferroxcube reserves the right to make changes at any time without notice in order to improve design and supply the best possible product.
Product specification	Production	This data sheet contains final specifications. Ferroxcube reserves the right to make changes at any time without notice in order to improve design and supply the best possible product.

DISCLAIMER

Life support applications — These products are not designed for use in life support appliances, devices, or systems where malfunction of these products can reasonably be expected to result in personal injury. Ferroxcube customers using or selling these products for use in such applications do so at their own risk and agree to fully indemnify Ferroxcube for any damages resulting from such application.

PRODUCT STATUS DEFINITIONS

STATUS	INDICATION	DEFINITION
Prototype		These are products that have been made as development samples for the purposes of technical evaluation only. The data for these types is provisional and is subject to change.
Design-in		These products are recommended for new designs.
Preferred		These products are recommended for use in current designs and are available via our sales channels.
Support		These products are not recommended for new designs and may not be available through all of our sales channels. Customers are advised to check for availability.