

**PLEASE CHECK WWW.MOLEX.COM FOR LATEST PART INFORMATION**

**Part Number:** [0190160086](#)  
**Status:** **Active**  
**Description:** Krimptite™ Quick Disconnect, Female, for 12-14 (3.30-2.00) Wire, Mylar Tape, Tab 6.35mm (.250") x 0.81mm (.032")

**Documents:**

[Drawing \(PDF\)](#) [RoHS Certificate of Compliance \(PDF\)](#)

**Agency Certification**

CSA LR18689  
 UL E79133

**General**

Product Family Quick Disconnects  
 Series [19016](#)  
 Comments Butted Seam  
 Crimp Quality Equipment Yes  
 Product Name Krimptite™  
 Type Quick Disconnect

**Physical**

Barrel Type Closed  
 Gender Female  
 Glow-Wire Compliant No  
 Insulation None  
 Lock to Mating Part None  
 Material - Metal Brass  
 Material - Plating Mating Tin  
 Material - Plating Termination Tin  
 Orientation Straight  
 Packaging Type Adhesive Tape on Reel  
 Plating min: Mating (µin) 100  
 Plating min: Mating (µm) 2.5  
 Plating min: Termination (µin) 100  
 Plating min: Termination (µm) 2.5  
 Polarized to Mating Part No  
 Tab Thickness 0.81mm (.032")  
 Tab Width 6.35mm (.250")  
 Temperature Range - Operating Per Wire Specification  
 Termination Interface: Style Crimp or Compression  
 Wire Size AWG 12, 14  
 Wire Size mm² 2.00 - 3.30

**Electrical**

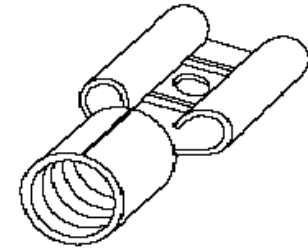
Voltage - Maximum Per Wire Specification

**Material Info**

Old Part Number P-1142T

**Reference - Drawing Numbers**

Sales Drawing 22A0001, SD-19016-004



*Series  
 image - Reference only*

**EU RoHS**

**ELV and RoHS  
 Compliant**  
**REACH SVHC  
 Contains SVHC: No**  
**Halogen-Free  
 Status  
 Not Reviewed**

**China RoHS**



**Need more information on product  
 environmental compliance?**

Email [productcompliance@molex.com](mailto:productcompliance@molex.com)  
 For a multiple part number RoHS Certificate of Compliance, [click here](#)

Please visit the [Contact Us](#) section for any non-product compliance questions.

**Search Parts in this Series**

[19016Series](#)

**Application Tooling | [FAQ](#)**

*Tooling specifications and manuals are found by selecting the products below. Crimp Height Specifications are then contained in the Application Tooling Specification document.*

**Global**

Description	Product #
ATP Perishable Tool Kit used in ATP presses that process product on tape	<a href="#">0190270184</a>

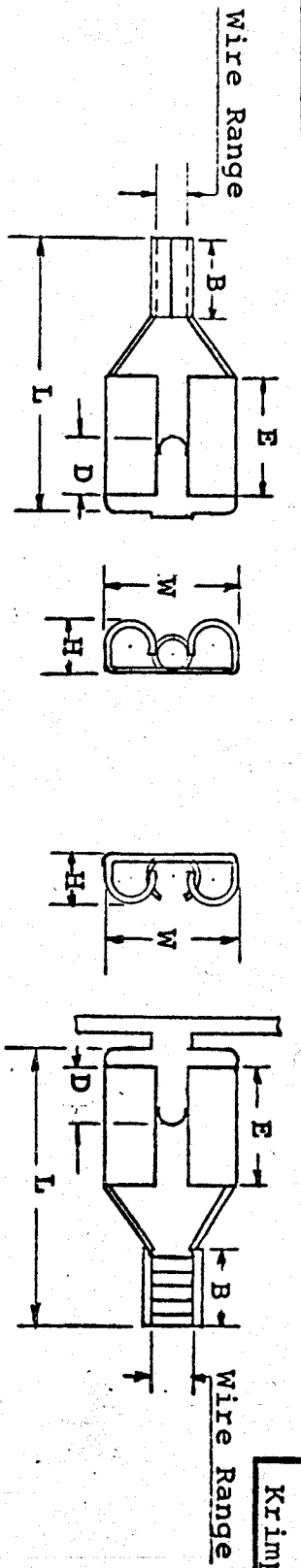


FIG. 1 Krimptite - Single Barrel Closed LOOSE PIECE  
 FIG. 2 Krimptite - Single Barrel Open STRIP

Part No.	Fig.	Wire Range	Fits Tab	Stock Thickness	"L"	"B"	"W"	"D"	"H"	"E"	Plating
BBZ-0159	2	16-14	.110 x .032	.016 Inch	.542	3/16	5/32	.119	3/32	1/4	No Plating
BBZ-1159	2	16-14	.110 x .032	.016 Inch	.542	3/16	5/32	.119	3/32	1/4	Electro-Tin
BBZ-0161	2	16-14	.187 x .020	.016 Inch	.542	3/16	15/64	.119	3/32	1/4	No Plating
BBZ-1161	2	16-14	.187 x .020	.016 Inch	.542	3/16	15/64	.119	3/32	1/4	Electro-Tin
BBZ-0164	2	16-14	.250 x .032	.016 Inch	.627	3/16	19/64	.156	7/64	5/16	No Plating
BBZ-1164	2	16-14	.250 x .032	.016 Inch	.627	3/16	19/64	.156	7/64	5/16	No Plating
X P-1139	1	14-12	.187 x .020	.016 Inch	.542	3/16	15/64	.119	3/32	1/4	Electro-Tin
X P-1142	1	14-12	.250 x .032	.016 Inch	.627	3/16	19/64	.156	7/64	5/16	Electro-Tin
PZ-0162	2	14-12	.187 x .020	.016 Inch	.542	3/16	15/64	.119	3/32	1/4	No Plating
PZ-1162	2	14-12	.187 x .020	.016 Inch	.542	3/16	15/64	.119	3/32	1/4	Electro-Tin
PZ-0165	2	14-12	.250 x .032	.016 Inch	.627	3/16	19/64	.156	7/64	5/16	No Plating
PZ-1165	2	14-12	.250 x .032	.016 Inch	.627	3/16	19/64	.156	7/64	5/16	Electro-Tin
BBZ-1185-032	2	16-14	.110 x .032	.016 Inch	.552	3/16	.163	.119	3/32	1/4	ELECTRO-TIN

TOLERANCES

± .025	± 1/64	± 1/64	± .010	± 1/64	± 1/64
--------	--------	--------	--------	--------	--------

MATERIAL: BRASS  
 MARKING: ETC

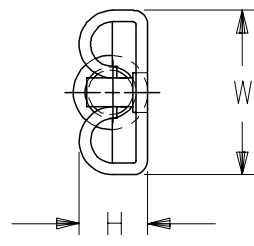
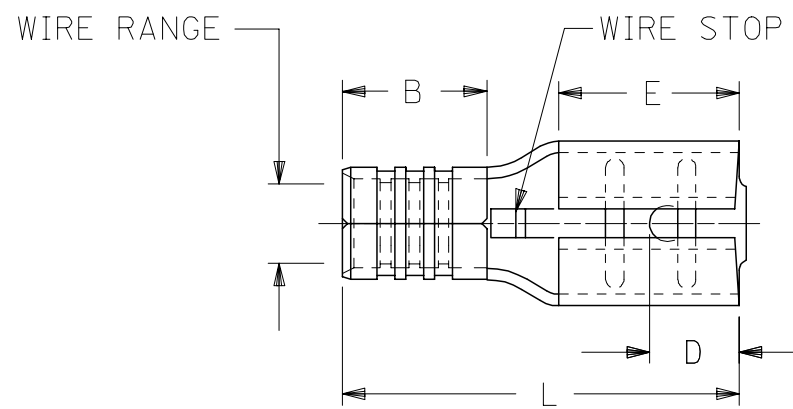
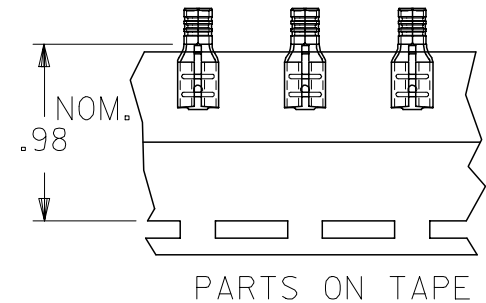
PERFORMANCE SPECS  
 See

CUSTOMER QD DIMENSION CHART

TITLE:	QUICK DISCONNECT Krimptite TERMINALS		
DIMENSIONAL TOLERANCE UNLESS OTHERWISE SPECIFIED	FRAC.	DEC.	ANG.
	±	±	±
REVISION	SCALE:	DATE	
	DRWN. BY: LEM	1/22/68	
	CHKD. BY:		
	APPRD. BY:		
	DRAWING NO.: 22A-0001		



13	12	11	10	9	8	7	6	5	4	3	2	1
MATERIAL NO. LOOSE PIECE	ENGINEERING NO.	MATERIAL NO. TAPE MOUNTED	ENGINEERING NO.	WIRE RANGE AWG	WIRE RANGE MM <sup>2</sup>	FITS MALE TAB SIZE	L MAX	B ±.01/3	W MAX	D ±.01/3	H ±.01/3	E NOM
190160085	P-1142	190160086	P-1142T	14-12	1.65-4.2	.250x.032	.66/16.8	.190/4.83	.30/7.6	.156/3.96	.103/2.62	.31/7.9
190160099	M-1136-032	190160144	M-1136-032T	26-24	0.1-0.3	.187x.032	.55/14.0	.156/3.96	.24/6.1	.125/3.18	.103/2.62	.25/6.4
190160006	AA-1137-032	190160007	AA-1137-032T	22-18	0.25-1.3	.187x.032	.58/14.7	.200/5.08	.24/6.1	.125/3.18	.103/2.62	.25/6.4
190160040	BB-1138-032	190160041	BB-1138-032T	16-14	1.0-2.6	.187x.032	.58/14.7	.200/5.08	.24/6.1	.125/3.18	.103/2.62	.25/6.4
190160082	P-1139-032	190160083	P-1139-032T	14-12	1.65-4.2	.187x.032	.58/14.7	.200/5.08	.24/6.1	.125/3.18	.103/2.62	.25/6.4
190160098	M-1136	190160100	M-1136T	26-24	0.1-0.3	.187x.020	.55/14.0	.156/3.96	.24/6.1	.125/3.18	.086/2.18	.25/6.4
190160005	AA-1137	190160008	AA-1137T	22-18	0.25-1.3	.187x.020	.58/14.7	.200/5.08	.24/6.1	.125/3.18	.086/2.18	.25/6.4
190160039	BB-1138	190160042	BB-1138T	16-14	1.0-2.6	.187x.020	.58/14.7	.200/5.08	.24/6.1	.125/3.18	.086/2.18	.25/6.4
190160081	P-1139	190160084	P-1139T	14-12	1.65-4.2	.187x.020	.58/14.7	.200/5.08	.24/6.1	.125/3.18	.086/2.18	.25/6.4

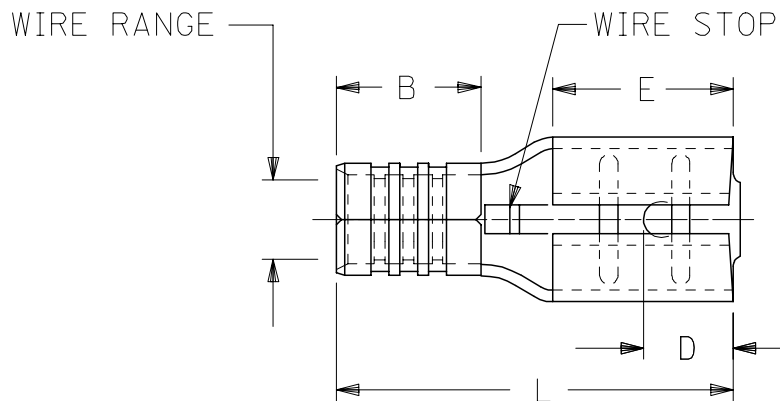
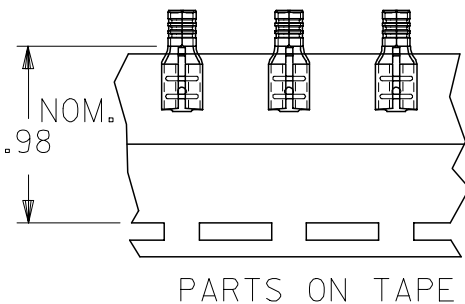


NOTES:

1. MATERIAL: BRASS (.016/.41 THICK)
2. PLATING: ELECTROPLATE TIN
3. ALL DIMENSIONS IN INCHES/MM  
WIRE SIZE: SEE CHART

ADDED MATERIAL NO FC NO: ETC2006-0197 DRAWN BY: DEH CHKD: JLOMASTRO APPR: RDEROSS	DESCRIPTION 2006/01/18 2006/01/18 2006/01/30	QUALITY SYMBOLS =0 =0	GENERAL TOLERANCES (UNLESS SPECIFIED)		DIMENSION STYLE IN/MM		SCALE 4:1	DESIGN UNITS INCH	THIRD ANGLE PROJECTION
			mm	INCH	DRAWN BY RCM	DATE 90/11/28	TITLE KRIPTITE QUICK DISCONNECT		
4 PLACES ± --- ± ---			3 PLACES ± --- ± .005		CHECKED BY RCM		DATE 90/11/28	MOLEX INCORPORATED	
2 PLACES ± 0.13 ± .01			1 PLACE ± 0.25 ± ---		APPROVED BY RDEROSS		DATE 90/11/28	DOCUMENT NO. SD-19016-004	
ANGULAR ±1/2°			DRAFT WHERE APPLICABLE MUST REMAIN WITHIN DIMENSIONS		MATERIAL NO. SEE CHART		SHEET NO. 1 OF 1		
THIS DRAWING CONTAINS INFORMATION THAT IS PROPRIETARY TO MOLEX INCORPORATED AND SHOULD NOT BE USED WITHOUT WRITTEN PERMISSION									

MATERIAL NO. LOOSE PIECE	ENGINEERING NO.	MATERIAL NO. TAPE MOUNTED	ENGINEERING NO.	WIRE RANGE AWG	MM <sup>2</sup>	FITS MALE TAB SIZE	L MAX	B ±.01/.3	W MAX	D ±.01/.3	H ±.01/.3	E NOM
190160085	P-1142	190160086	P-1142T	14-12	1.65-4.2	.250x.032	.66/16.8	.190/4.83	.30/7.6	.156/3.96	.103/2.62	.31/7.9
190160099	M-1136-032	190160144	M-1136-032T	26-24	0.1-0.3	.187x.032	.55/14.0	.156/3.96	.24/6.1	.125/3.18	.103/2.62	.25/6.4
190160006	AA-1137-032	190160007	AA-1137-032T	22-18	0.25-1.3	.187x.032	.58/14.7	.200/5.08	.24/6.1	.125/3.18	.103/2.62	.25/6.4
190160040	BB-1138-032	190160041	BB-1138-032T	16-14	1.0-2.6	.187x.032	.58/14.7	.200/5.08	.24/6.1	.125/3.18	.103/2.62	.25/6.4
190160082	P-1139-032	190160083	P-1139-032T	14-12	1.65-4.2	.187x.032	.58/14.7	.200/5.08	.24/6.1	.125/3.18	.103/2.62	.25/6.4
190160098	M-1136	190160100	M-1136T	26-24	0.1-0.3	.187x.020	.55/14.0	.156/3.96	.24/6.1	.125/3.18	.086/2.18	.25/6.4
190160005	AA-1137	190160008	AA-1137T	22-18	0.25-1.3	.187x.020	.58/14.7	.200/5.08	.24/6.1	.125/3.18	.086/2.18	.25/6.4
190160039	BB-1138	190160042	BB-1138T	16-14	1.0-2.6	.187x.020	.58/14.7	.200/5.08	.24/6.1	.125/3.18	.086/2.18	.25/6.4
190160081	P-1139	190160084	P-1139T	14-12	1.65-4.2	.187x.020	.58/14.7	.200/5.08	.24/6.1	.125/3.18	.086/2.18	.25/6.4

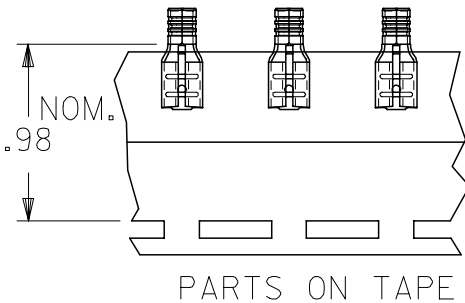


NOTES:

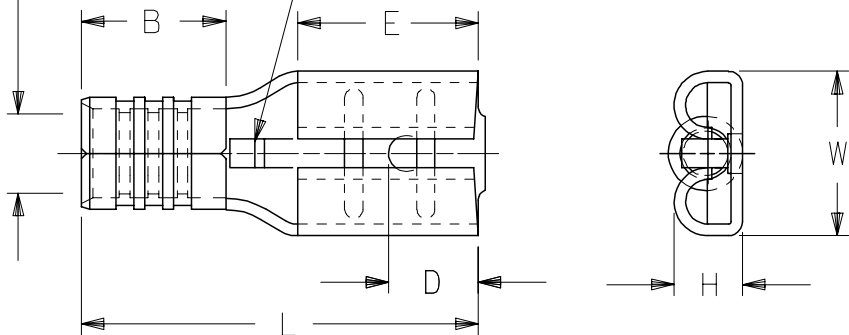
1. MATERIAL: BRASS (.016/.41 THICK)
2. PLATING: ELECTROPLATE TIN
3. ALL DIMENSIONS IN INCHES/MM  
WIRE SIZE: SEE CHART

ADDED MATERIAL NO FC NO: ETC2006-0197 DRAWN BY: JAS/DEH CHKD: JLO/ASTRO APPR: RDEROSS REV	QUALITY SYMBOLS =0 =0	GENERAL TOLERANCES (UNLESS SPECIFIED)		DIMENSION STYLE IN/MM		SCALE 4:1	DESIGN UNITS INCH	THIRD ANGLE PROJECTION
		mm	INCH	DRAWN BY RCM	DATE 90/11/28	TITLE KRIMPTITE QUICK DISCONNECT		
4 PLACES ± --- ± ---		3 PLACES ± --- ± .005		CHECKED BY RCM		DATE 90/11/28		MOLEX INCORPORATED
2 PLACES ± 0.13 ± .01		1 PLACE ± 0.25 ± ---		APPROVED BY RDEROSS		DATE 90/11/28		
ANGULAR ±1/2°		DRAFT WHERE APPLICABLE MUST REMAIN WITHIN DIMENSIONS		SEE CHART		DOCUMENT NO. SD-19016-004		SHEET NO. 1 OF 1
THIS DRAWING CONTAINS INFORMATION THAT IS PROPRIETARY TO MOLEX INCORPORATED AND SHOULD NOT BE USED WITHOUT WRITTEN PERMISSION								

MATERIAL NO. LOOSE PIECE	ENGINEERING NO.	MATERIAL NO. TAPE MOUNTED	ENGINEERING NO.	WIRE RANGE AWG	MM <sup>2</sup>	FITS MALE TAB SIZE	L MAX	B ±.01/3	W MAX	D ±.01/3	H ±.01/3	E NOM
190160085	P-1142	190160086	P-1142T	14-12	1.65-4.2	.250x.032	.66/16.8	.190/4.83	.30/7.6	.156/3.96	.103/2.62	.31/7.9
190160099	M-1136-032	190160144	M-1136-032T	26-24	0.1-0.3	.187x.032	.55/14.0	.156/3.96	.24/6.1	.125/3.18	.103/2.62	.25/6.4
190160006	AA-1137-032	190160007	AA-1137-032T	22-18	0.25-1.3	.187x.032	.58/14.7	.200/5.08	.24/6.1	.125/3.18	.103/2.62	.25/6.4
190160040	BB-1138-032	190160041	BB-1138-032T	16-14	1.0-2.6	.187x.032	.58/14.7	.200/5.08	.24/6.1	.125/3.18	.103/2.62	.25/6.4
190160082	P-1139-032	190160083	P-1139-032T	14-12	1.65-4.2	.187x.032	.58/14.7	.200/5.08	.24/6.1	.125/3.18	.103/2.62	.25/6.4
190160098	M-1136	190160100	M-1136T	26-24	0.1-0.3	.187x.020	.55/14.0	.156/3.96	.24/6.1	.125/3.18	.086/2.18	.25/6.4
190160005	AA-1137	190160008	AA-1137T	22-18	0.25-1.3	.187x.020	.58/14.7	.200/5.08	.24/6.1	.125/3.18	.086/2.18	.25/6.4
190160039	BB-1138	190160042	BB-1138T	16-14	1.0-2.6	.187x.020	.58/14.7	.200/5.08	.24/6.1	.125/3.18	.086/2.18	.25/6.4
190160081	P-1139	190160084	P-1139T	14-12	1.65-4.2	.187x.020	.58/14.7	.200/5.08	.24/6.1	.125/3.18	.086/2.18	.25/6.4



WIRE RANGE      WIRE STOP



NOTES:

1. MATERIAL: BRASS (.016/.41 THICK)
2. PLATING: ELECTROPLATE TIN
3. ALL DIMENSIONS IN INCHES/MM  
WIRE SIZE: SEE CHART

ADDED MATERIAL NO FC NO: ETC2006-0197 DRAWN BY: DEH CHKD: JLOMASTRO APPR: RDEROSS	DESCRIPTION 2006/01/18 2006/01/18 2006/01/30	QUALITY SYMBOLS =0 =0	GENERAL TOLERANCES (UNLESS SPECIFIED)		DIMENSION STYLE IN/MM		SCALE 4:1	DESIGN UNITS INCH	THIRD ANGLE PROJECTION
			mm	INCH	DRAWN BY RCM	DATE 90/11/28	TITLE KRIMPTITE QUICK DISCONNECT		
4 PLACES ± --- ± ---			3 PLACES ± --- ± .005		CHECKED BY RCM		DATE 90/11/28		MOLEX INCORPORATED
2 PLACES ± 0.13 ± .01			1 PLACE ± 0.25 ± ---		APPROVED BY RDEROSS		DATE 90/11/28		
ANGULAR ±1/2°			DRAFT WHERE APPLICABLE MUST REMAIN WITHIN DIMENSIONS		MATERIAL NO. SEE CHART		DOCUMENT NO. SD-19016-004		SHEET NO. 1 OF 1
THIS DRAWING CONTAINS INFORMATION THAT IS PROPRIETARY TO MOLEX INCORPORATED AND SHOULD NOT BE USED WITHOUT WRITTEN PERMISSION									