

**PLEASE CHECK WWW.MOLEX.COM FOR LATEST PART INFORMATION**

**Part Number:** [5023801500](#)  
**Status:** **Active**  
**Overview:** [klikmate wireto board connectors](#)  
**Description:** 1.25mm (.049") Pitch CLIK-Mate™ Wire-to-Board Housing, Single Row, 15 Circuits

**Documents:**

[3D Model](#) [Product Specification PS-502382-001 \(PDF\)](#)  
[Application Specification \(PDF\)](#) [RoHS Certificate of Compliance \(PDF\)](#)  
[Drawing \(PDF\)](#)

**General**

Product Family Crimp Housings  
 Series [502380](#)  
 Overview [klikmate wireto board connectors](#)  
 Product Name CLIK-Mate™

**Physical**

Breakaway No  
 Circuits (maximum) 15  
 Color - Resin White  
 Gender Plug  
 Glow-Wire Compliant No  
 Keying to Mating Part Yes  
 Lock to Mating Part Yes  
 Material - Resin Polyester  
 Number of Rows 1  
 Packaging Type Bag  
 Panel Mount No  
 Pitch - Mating Interface (in) 0.049 In  
 Pitch - Mating Interface (mm) 1.25 mm  
 Polarized to Mating Part Yes  
 Stackable No  
 Temperature Range - Operating -25°C to +85°C

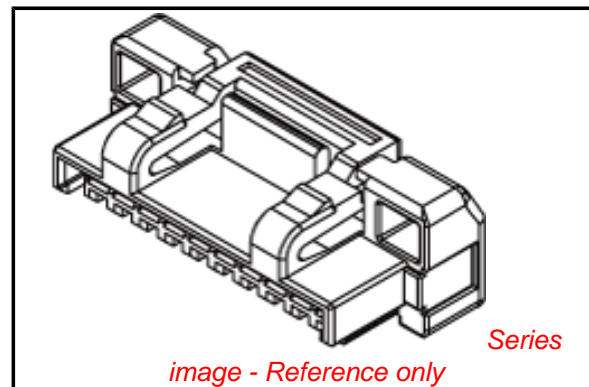
**Electrical**

Current - Maximum per Contact 1A

**Material Info**

**Reference - Drawing Numbers**

Application Specification AS-502380-001, AS-502380-002  
 Packaging Specification SPK-502380-001  
 Product Specification PS-502382-001, RPS-502382-003, RPS-502382-004,  
 RPS-502382-005, RPS-502382-008, RPS-502382-010,  
 RPS-502382-011, RPS-502382-012, RPS-502382-013,  
 RPS-502386-001  
 Sales Drawing SD-502380-001, SD-502380-002



**EU RoHS**

**ELV and RoHS  
 Compliant**  
**REACH SVHC  
 Contains SVHC: No**  
**Halogen-Free  
 Status**

**China RoHS**



**Need more information on product  
 environmental compliance?**

Email [productcompliance@molex.com](mailto:productcompliance@molex.com)  
 For a multiple part number RoHS Certificate of  
 Compliance, [click here](#)

Please visit the [Contact Us](#) section for any  
 non-product compliance questions.

**Search Parts in this Series**

[502380Series](#)

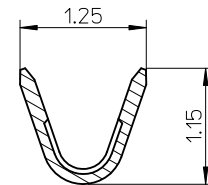
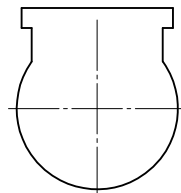
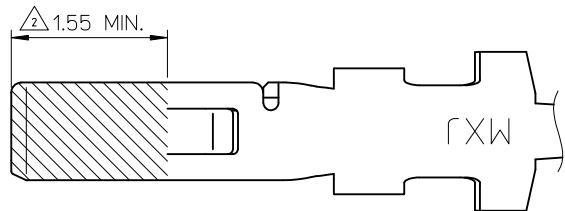
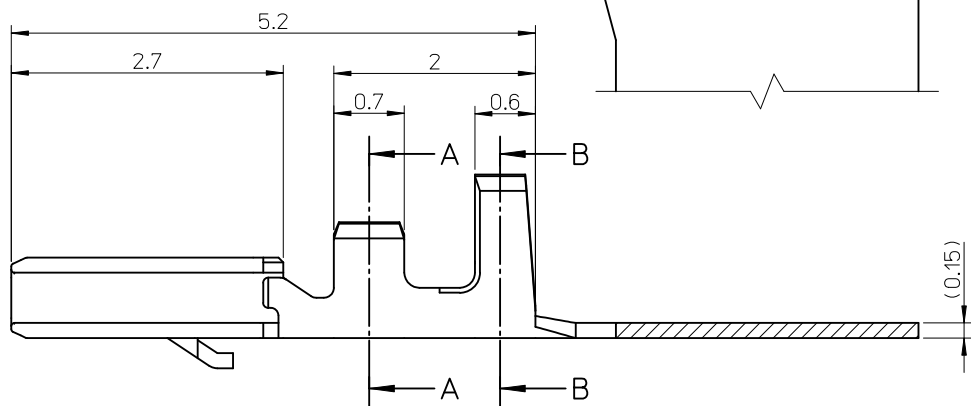
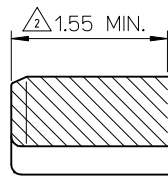
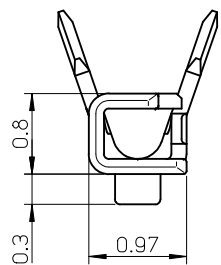
**Mates With**

[502382](#) PCB Receptacle, [502386](#) PCB  
 Receptacle

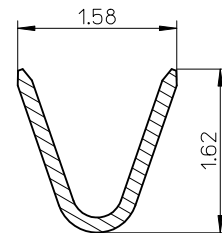
**Use With**

[502381](#) Crimp Terminal

10 9 8 7 6 5 4 3 2 1



SECTION A-A



SECTION B-B

NOTES

- 適合ハウジング: 502380-\*\*\*\*  
APPLICABLE HOUSING: 502380-\*\*\*\*
- 図示の斜線部の範囲は、接点部のため、傷、打痕、汚れなどを付けないようにして下さい。  
PLEASE DON'T DAMAGE, DON'T DENT, AND DON'T MAKE IT DIRTY. BECAUSE THE RANGE IN THE SHADED PORTION SHOWN IN FIGURE IS THE CONTACT AREA.

φ0.78-1.07mm	AWG#26-28	502381-0000	連鎖状 CHAIN
絶縁被覆外径範囲 INS. RANGE	適用電線範囲 WIRE RANGE	製品番号 MATERIAL NO.	端子形状 FORM

DIMENSION STYLE MM ONLY	SCALE 20:1	DESIGN UNITS METRIC	THIRD ANGLE PROJECTION
DRAWN BY T. MIYAZAKI	DATE 2006/08/28	TITLE 1.25 W/B CONN. SINGLE PLUG TERMINAL -LEAD FREE-	
CHECKED BY K. ASAKAWA	DATE 2006/08/28	MOLEX INCORPORATED	
APPROVED BY Y.O. ITO	DATE 2006/08/28	MATERIAL NO. SD-502381-001	SHEET NO. 1 OF 1
SEE TABLE			
THIS DRAWING CONTAINS INFORMATION THAT IS PROPRIETARY TO MOLEX INCORPORATED AND SHOULD NOT BE USED WITHOUT WRITTEN PERMISSION			

部品 PART	材質 MATERIAL
ターミナル TERMINAL	銅合金 COPPER ALLOY
	鍍めつき: 0.4 micro-meter MIN. リフロー処理 (前めっき) REFLOW TREATMENT (PRE-PLATED)
	ニッケルめっき (下地): 0.1 micro-meter MIN. リフロー処理 (前めっき) REFLOW TREATMENT (PRE-PLATED)

REVISED EC NO: J2010-2153 2010/04/27 DRWN: YGOTO 2010/04/29 CHKDK: ASAKAWA 2010/05/12 APPR: NUKITA	DESCRIPTION REV	GENERAL TOLERANCES (UNLESS SPECIFIED)	
		10 UNDER	±0.2
		10 OVER 30 UNDER	±0.25
		30 OVER	±0.3
ANGULAR ±3 °		DRAFT WHERE APPLICABLE MUST REMAIN WITHIN DIMENSIONS	