

# TMX W302

## LOW LOSS SAW BANDPASS FILTER – WIRELESS AUDIO – RF

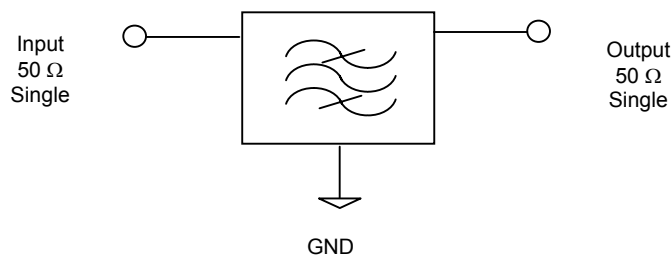
Specification (Rev. 1)

Electrical Parameters	Unit	Minimum	Typical <sup>(1)</sup>	Maximum
Source Impedance (single ended)	Ω	-	50 <sup>(2)</sup>	-
Load Impedance (single ended)	Ω	-	50 <sup>(2)</sup>	-
Center Frequency fo	MHz	-	864	-
<b>Relative Attenuation</b>				
841.6 MHz to 843.6 MHz	dB	40	44	-
852.3 MHz to 853.3 MHz	dB	30	38	-
Maximum Insertion Loss in 862.5 MHz-865.5 MHz	dB	-	4.0	6.0
Amplitude Ripple in 862.5 MHz-865.5 MHz	dB	-	1.5	2.5
Temperature Coefficient of Frequency	ppm/k	-	-30	-
<b>Package type &amp; size</b>				
Length x Width	mm <sup>2</sup>	-	3.0 x 3.0	-
Height	mm	-	1.3	1.5
<b>Pin Out</b>				
Input	2	Output	5	
Case Ground	1, 3, 4, 6	To Be Grounded	1, 3, 4, 6	

**Notes :**

- (1) Typical values are nominal performances at room temperature
- (2) No external matching circuit is required

### 50 Ω / 50 Ω Configuration



### Maximum Ratings

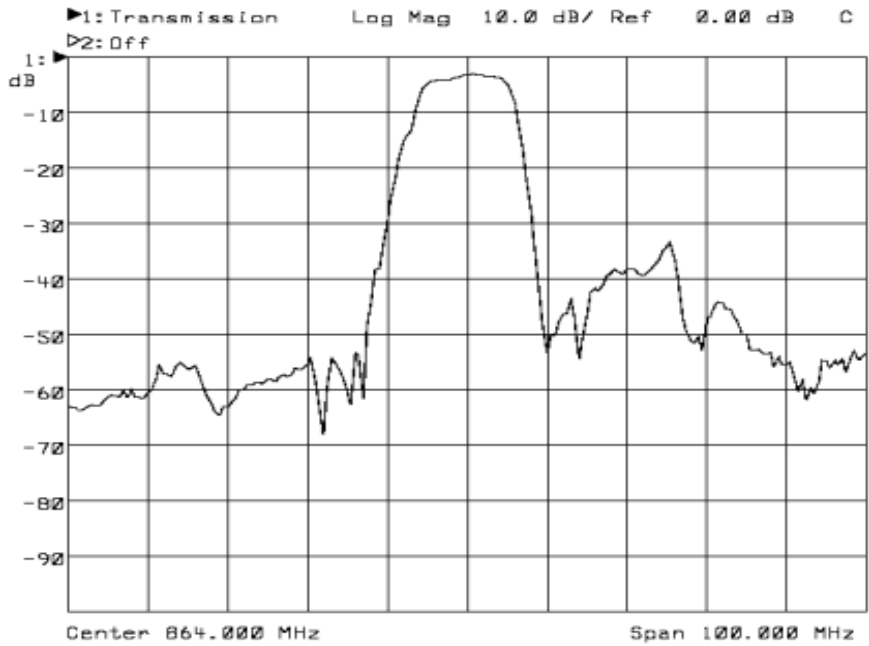
Rating	Unit	Value
Operating Temperature Range	-30 to +80	°C
Storage Temperature Range	-40 to +85	°C
DC Permissive Voltage	10	V
Input Power	18	dBm

# TMX W302

## LOW LOSS SAW BANDPASS FILTER – WIRELESS AUDIO – RF

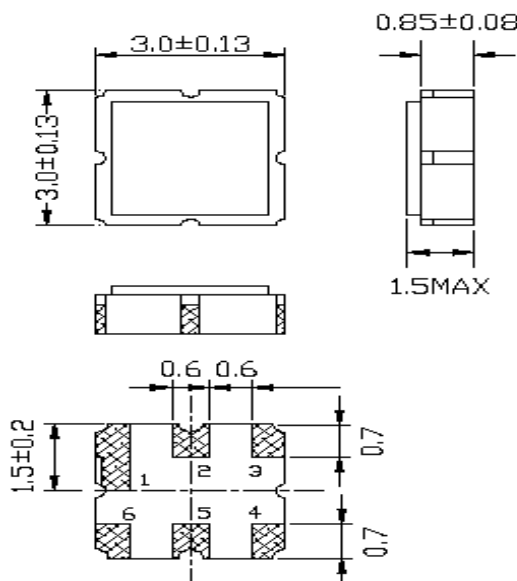
Specification (Rev. 1)

### TYPICAL S21 RESPONSE



### Package Drawing

Unit: mm



Pin No.	Function
2.	Input
5.	Output
other	Ground