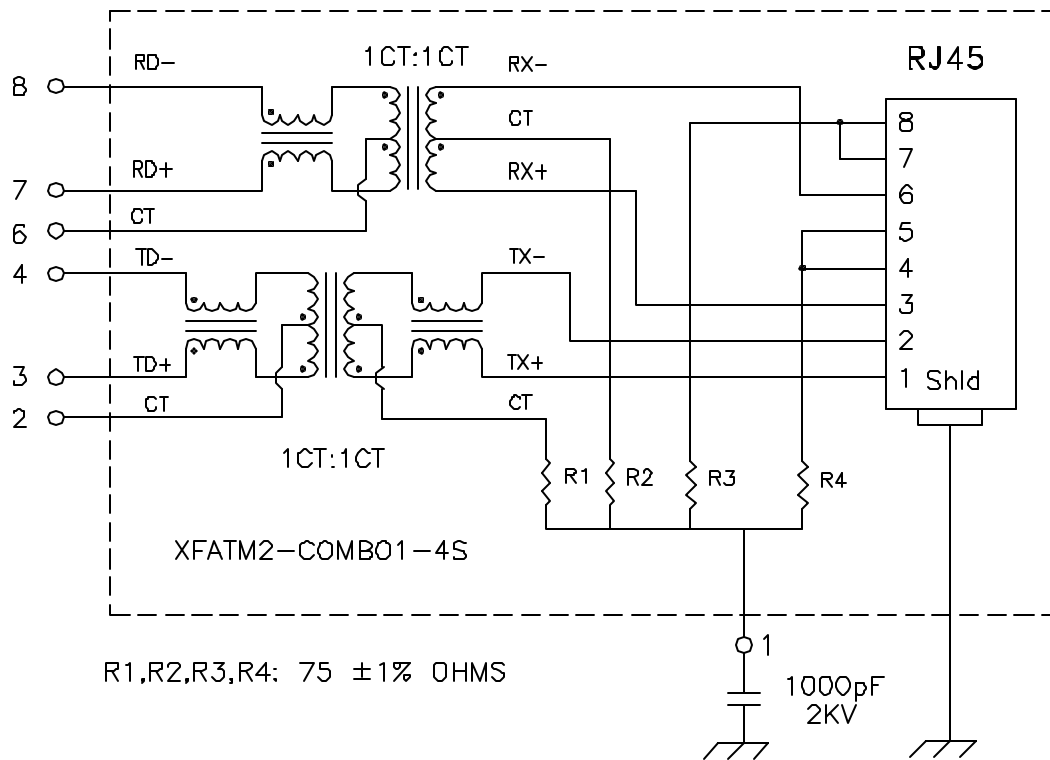


## Schematic:



## Electrical Specifications: @25°C

Isolation Voltage: 1500Vrms  
 UTP SIDE QCL: 350uH Min @100KHz 100mV 8mADC  
 Rise Time (10-90%): 2.5ns Typical  
 Insertion Loss (300KHz-100MHz): -1.1dB Maximum  
 Insertion Loss (100MHz-125MHz): -1.5dB Maximum  
 Return Loss: -18dB Min. @30MHz  
 -12dB Min. @80MHz

Crosstalk:  
 300KHz-60MHz -40dB Typical  
 60MHz-100MHz -38dB Typical

Common Mode to Differential Mode Rejection:  
 300KHz-60MHz -45dB Typ (Tx) / -40dB Typ (Rx)  
 60MHz-100MHz -40dB Typ (Tx) / -35dB Typ (Rx)

Q: 18 Min @100KHz 0.1V

### Notes:

- Solderability: Leads shall meet MIL-STD-202G, Method 20BH for solderability.
- Flammability: UL94V-0
- ASTM oxygen index: > 28%
- Insulation System: Class F 155°C. UL file E151556
- Operating Temperature Range: All listed parameters are to be within tolerance from -40°C to +85°C
- Storage Temperature Range: -55°C to +125°C
- Aqueous wash compatible
- Electrical and mechanical specifications 100% tested
- RoHS Compliant Component

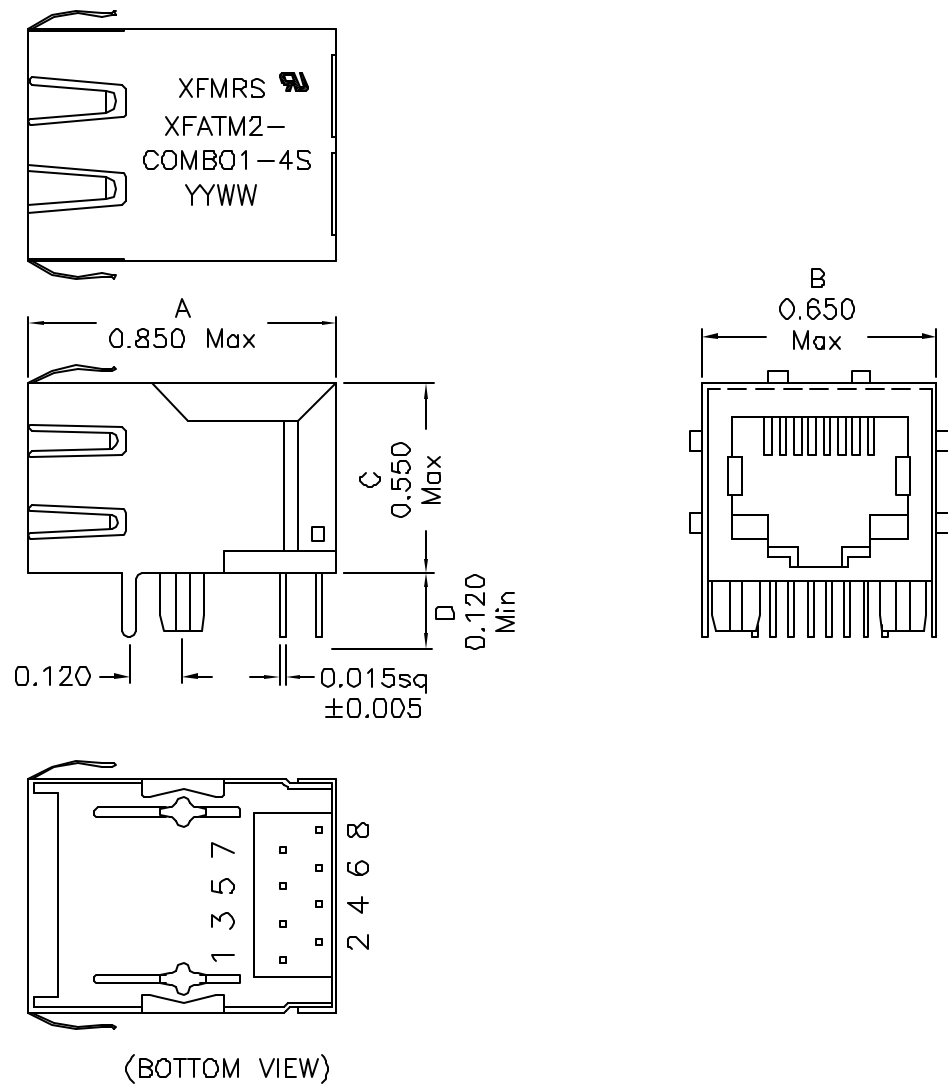
DOC REV: C/8

<b>XFMRs Inc</b> www.XFMRS.com	Title: <b>SINGLE PORT COMBO</b>		
	UNLESS OTHERWISE SPECIFIED TOLERANCES: .xxx ±0.010 Dimensions in Inch	P/N: XFATM2-COMBO1-4S	REV. C
SHEET 1 OF 2	DWN.	Xian yi	Dec-21-09
	CHK.	YK Liao	Dec-21-09
	APP.	Joe Huff	Dec-21-09

**PROPRIETARY:**

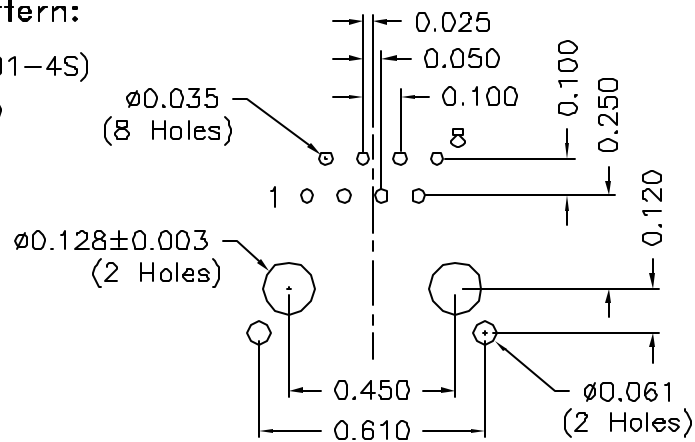
Document is the property of XFMRs Group & is not allowed to be duplicated without authorization.

### Mechanical Dimensions:



### Mounting Pattern:

(FOR COMBO1-4S)  
(COMP SIDE)



<b>XFMRS Inc.</b>	Title: Mechanical Dimensions For COMBO1-4S Series		
	UNLESS OTHERWISE SPECIFIED TOLERANCES: .xxx ±0.010 Dimensions in Inch	P/N: XFATM2-COMBO1-4S	REV. C
DOC REV: C/8	DWN.	Xian yi	Dec-21-09
	CHK.	YK Liao	Dec-21-09
	APP.	Joe Huff	Dec-21-09
SHEET 2 OF 2			