

**CF3000A-DB Series**

3 Phase & 3 lines 250VAC

Inquiry

PCB Assembly Type

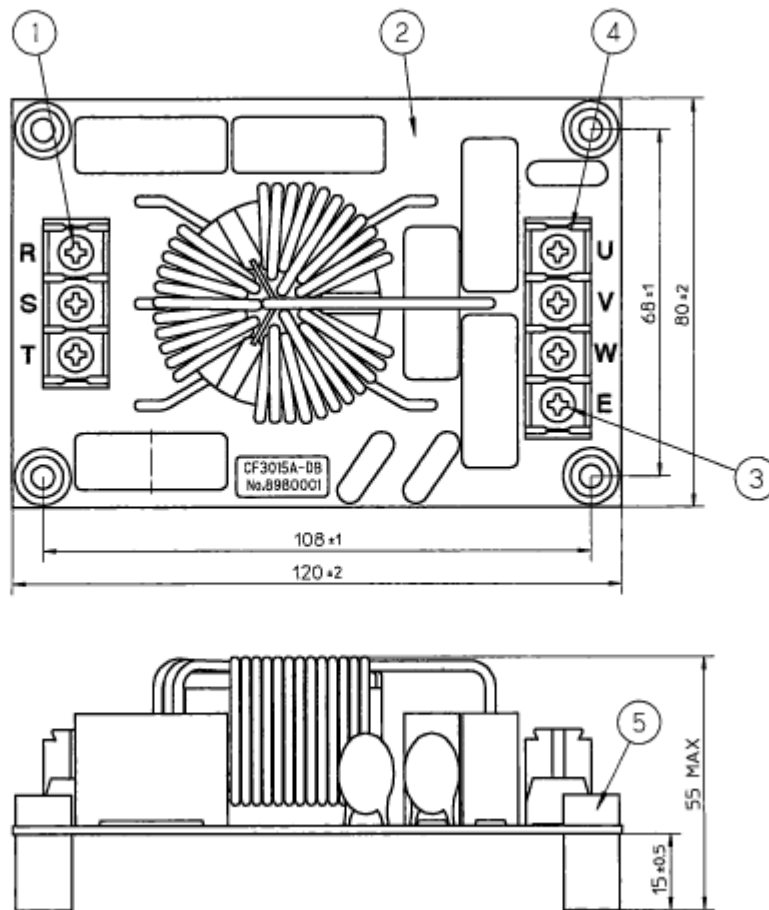
**Application**

Inverter/UPS/Industrial equipment etc.

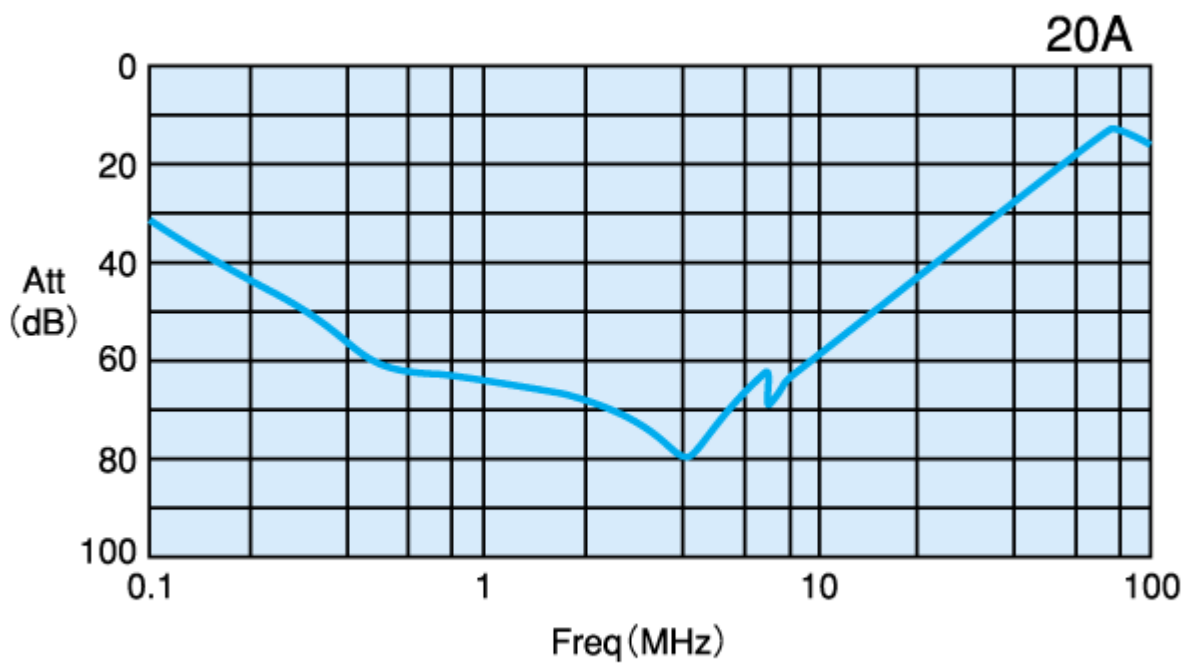
**Specifications**

Part No.	Rated Current
CF3015A-DB	15A
CF3020A-DB	20A
Rated Voltage	250VAC max
Leakage Current	1mA max 200VAC 60Hz

fig



**Frequency Data**



#### Circuit Diagram

