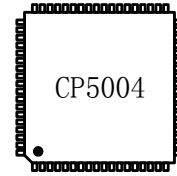


Quad E1/T1/J1 LIU Chip

**OVERVIEW**

www.datasheet4u.com

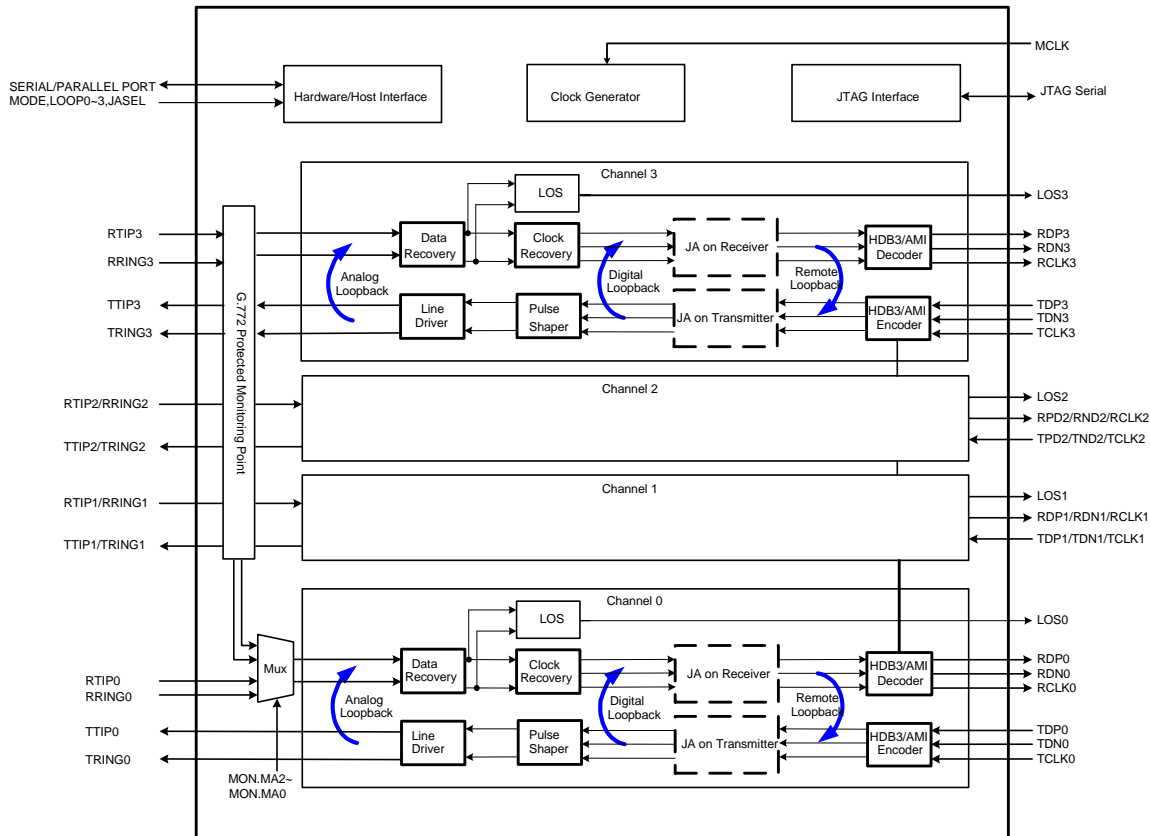
The CP5004 is one of the ETLINK series chips designed by Chiphomer Technology Limited. It is a 4-channels short-haul PCM transceiver with reference clock of 2.048MHz (E1) or 1.544MHz (T1/J1), contains four independent receivers and four independent transmitters on a single chip.



LQFP144  
-40°C to 85°C

**FEATURES**

- Four channel E1/T1/J1 LIU
- 3.3V supplies with 5V tolerant I/O
- Ultra low power consumption, 120mw per channel (typ.)
- Crystal-less jitter attenuator
- Constant throughput delay
- Meets ITU G.736, G.742, G.823 and ETSI CTR12/13 specification
- Optimized for SDH applications, meets ITU G.783 mapping jitter specification
- LOS detector meets ITU G.775, ANSI T1.231 and ETSI ETS 300 233
- Provides non-intrusive Protected Monitoring Points (PMP) per ITU G.772
- Transmits return loss exceeds ETSI ETS 300166
- Supports 100ohm T1, 110ohm J1, 75ohm E1 coaxial and 120ohm E1 twisted pair applications
- Programmable Waveform shaper
- AMI or HDB3/B8ZS encoder/decoder



---

## Quad E1/T1/J1 LIU Chip

---

- Line coding error counting and insertion
- Analog, digital, remote and inband Loopback test functions
- Hitless Protection Switching (HPS) for 1 to 1 protection without relays
- JTAG boundary scan test port meets IEEE 1149.1
- Selectable parallel/serial host interface
- Hardware and software control modes
- Pins and internal register compatible with CP5009
- 144 pin LQFP package

## APPLICATIONS

- SDH tributary interfaces
- SONET/SDH multiplexers
- Digital access cross connects
- Microwave transmission systems
- PBX interfaces
- E1-E3 MUX

## Related Products of Chiphomer

- CP5018 ( Octal E1 Framer)
- CP5009 ( Octal E1/T1/J1 LIU)
- CH5008 ( Octal E1 LIU)
- CP5008 ( Octal E1 LIU)
- CP5021 ( Single E1 Transceiver)
- CP5024 ( Quad E1 Transceiver)
- CP5028 ( Octal E1 Transceiver)

Chiphomer Technology Limited  
Add: 4F, Building D, 1618 Yishan Road Shanghai, P.R.C  
Tel: +86-(0)21-64058488  
Fax: +86-(0)21-64050030  
Email: [sales@chiphomer.com](mailto:sales@chiphomer.com)  
Web: [www.chiphomer.com](http://www.chiphomer.com)