

JMD CONNECTOR

Board-to-board connectors



Features

• Smooth connection

Thanks to the bellows type contacts, mating is very smooth.

• Distortion preventive construction

Box-shaped plug housing has guide ribs on both ends, which prevents distortion.

• Wide range of circuits

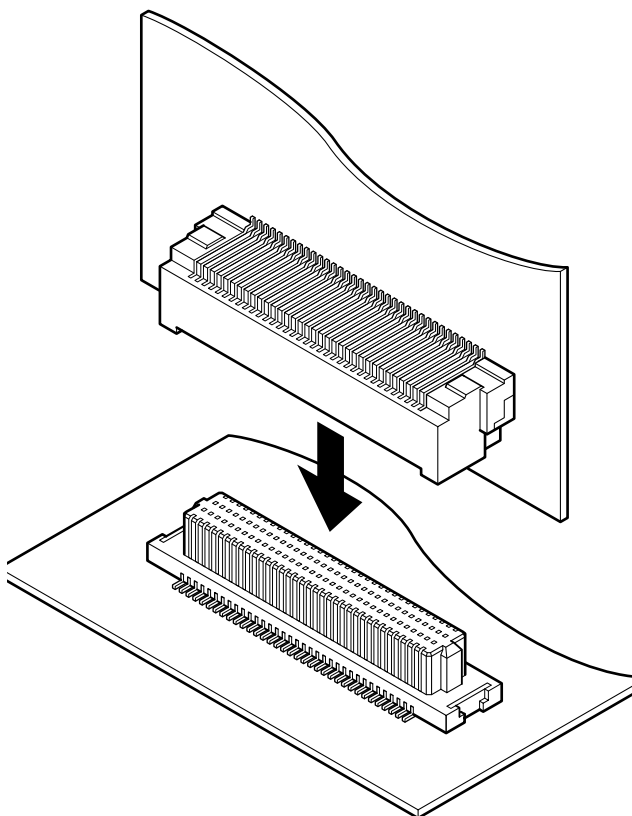
No. of circuits available are from 20 to 100, every 10 circuits.

• Embossed taping for automatic mounting

This connector is supplied in embossed tape packaging, for mounting by automatic placement machines.

DataSheet4U.com

DataSheet4U.com



Specifications

- Current rating: 0.5A AC,DC
 - Voltage rating: 50V AC,DC
 - Temperature range: -25°C to +85°C
(including temperature rise in applying an electrical current)
 - Contact resistance: Initial value/50m max.
After environmental testing/100m max.
 - Insulation resistance: 50M min.
 - Withstanding voltage: 100V AC/minute
- *Contact JST for details

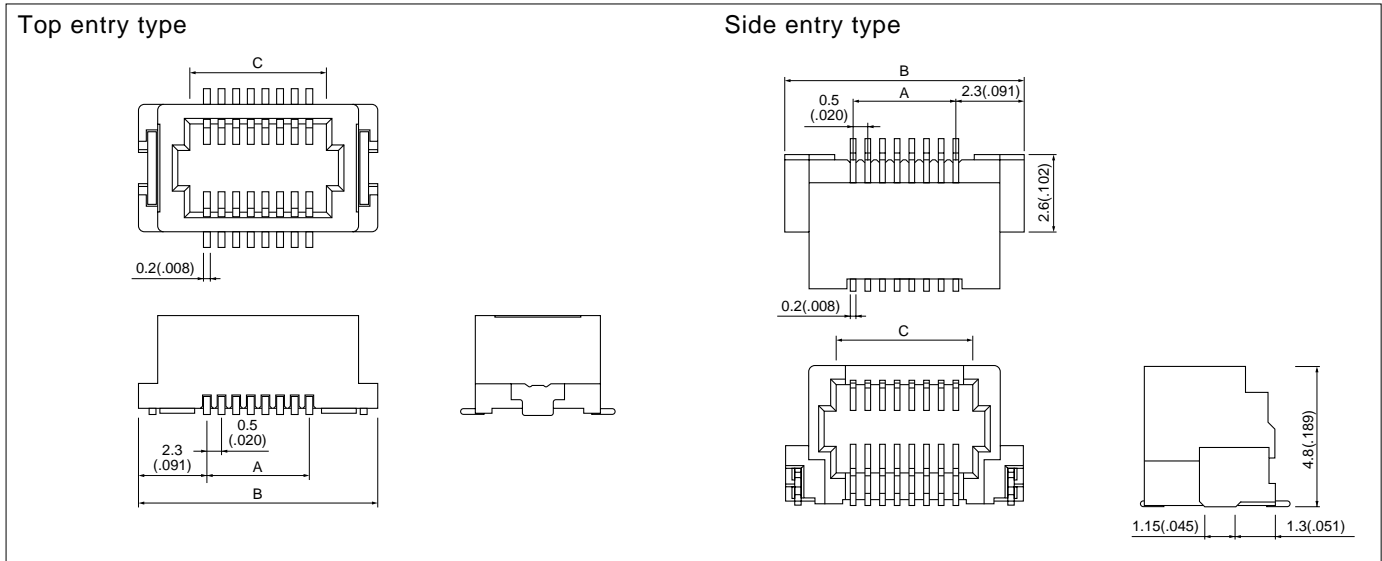
Standards

Recognized E60389

Certified LR20812

JMD CONNECTOR

Plug



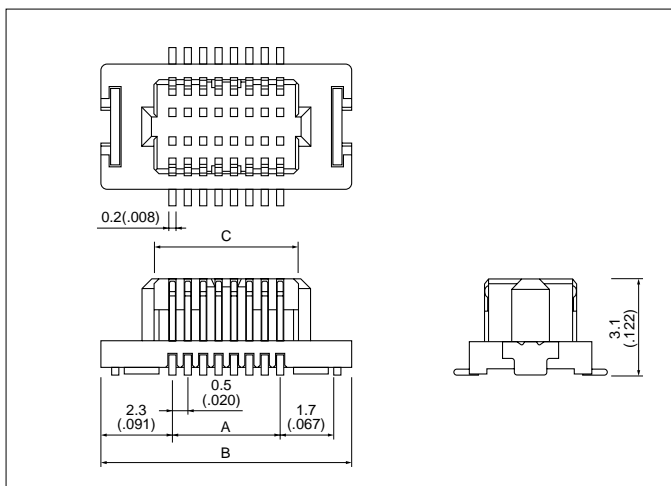
Circuits	Model No.			Dimensions mm(in.)			Q'ty / reel	
	Top entry type			Side entry type	A	B		C
	4.5mm (.117")	5.0mm (.197")	6.0mm (.236")					
20	20P-JMDSS-G-1-TF	-	-	20PS-JMDSS-G-1-TF	4.5(.177)	9.1(.358)	5.7(.224)	1,500
30	-	30P5.0-JMDSS-G-1-TF	-	30PS-JMDSS-G-1-TF	7.0(.276)	11.6(.457)	8.2(.323)	1,500
40	40P-JMDSS-G-1-TF	40P5.0-JMDSS-G-1-TF	-	40PS-JMDSS-G-1-TF	9.5(.374)	14.1(.555)	10.7(.421)	1,500
50	50P-JMDSS-G-1-TF	-	50P6.0-JMDSS-G-1-TF	50PS-JMDSS-G-1-TF	12.0(.472)	16.6(.654)	13.2(.520)	1,500
60	60P-JMDSS-G-1-TF	-	60P6.0-JMDSS-G-1-TF	60PS-JMDSS-G-1-TF	14.5(.571)	19.1(.752)	15.7(.618)	1,500
70	70P-JMDSS-G-1-TF	-	70P6.0-JMDSS-G-1-TF	70PS-JMDSS-G-1-TF	17.0(.669)	21.6(.850)	18.2(.717)	1,500
80	80P-JMDSS-G-1-TF	-	-	80PS-JMDSS-G-1-TF	19.5(.768)	24.1(.949)	20.7(.815)	1,500
100	100P-JMDSS-G-1-TF	-	-	100PS-JMDSS-G-1-TF	24.5(.965)	29.1(1.146)	25.7(1.012)	1,500

Material and Finish

Contact: Phosphor bronze, gold-plated
 Housing: Polyamide, UL94V-0
 Solder tab: Brass, copper-undercoated, tin/lead-plated

Note: The products listed above are supplied on embossed-tape.

Receptacle



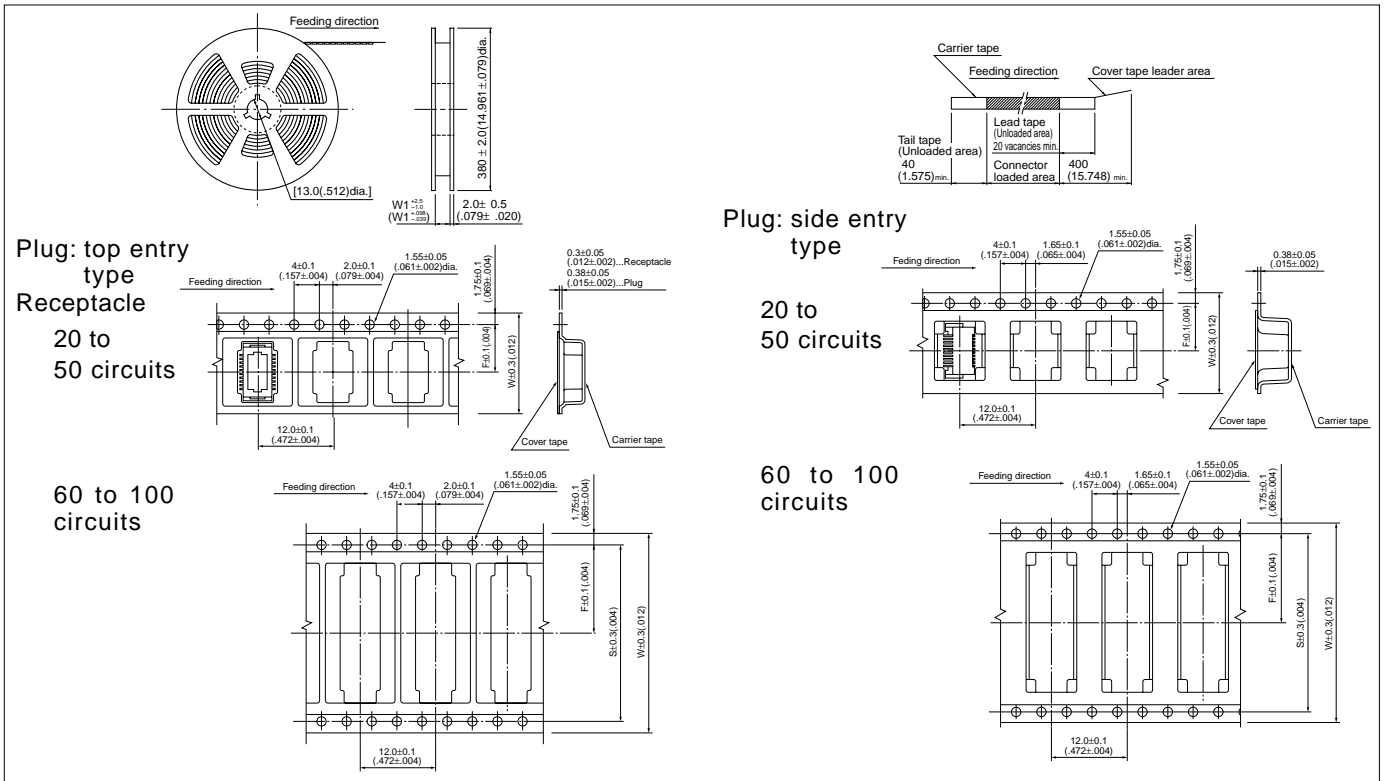
Circuits	Model No.	Dimensions mm(in.)			Q'ty / reel
		A	B	C	
20	20R-JMDSS-G-1-TF	4.5(.177)	9.1(.358)	5.7(.224)	1,500
30	30R-JMDSS-G-1-TF	7.0(.276)	11.6(.457)	8.2(.323)	1,500
40	40R-JMDSS-G-1-TF	9.5(.374)	14.1(.555)	10.7(.421)	1,500
50	50R-JMDSS-G-1-TF	12.0(.472)	16.6(.654)	13.2(.520)	1,500
60	60R-JMDSS-G-1-TF	14.5(.571)	19.1(.752)	15.7(.618)	1,500
70	70R-JMDSS-G-1-TF	17.0(.669)	21.6(.850)	18.2(.718)	1,500
80	80R-JMDSS-G-1-TF	19.5(.768)	24.1(.949)	20.7(.815)	1,500
100	100R-JMDSS-G-1-TF	24.5(.965)	29.1(1.146)	25.7(1.012)	1,500

Material and Finish

Contact: Phosphor bronze, gold-plated
 Housing: Polyamide, UL94V-0
 Solder tab: Brass, copper-undercoated, tin/lead-plated

Note: The products listed above are supplied on embossed-tape.

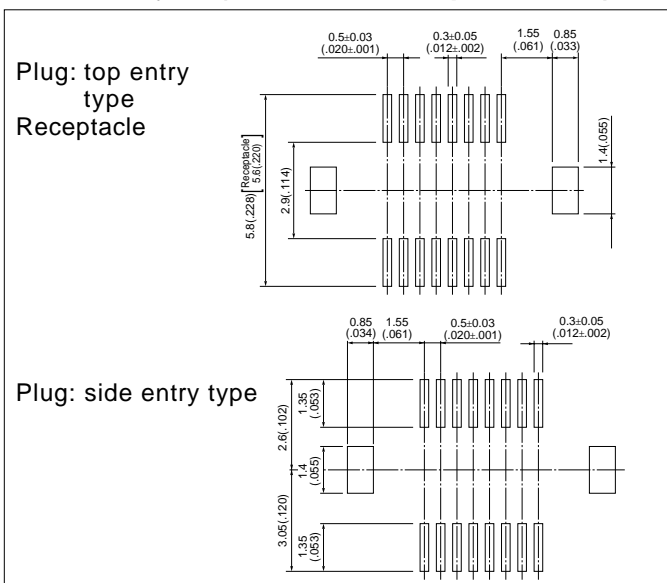
Taping specifications



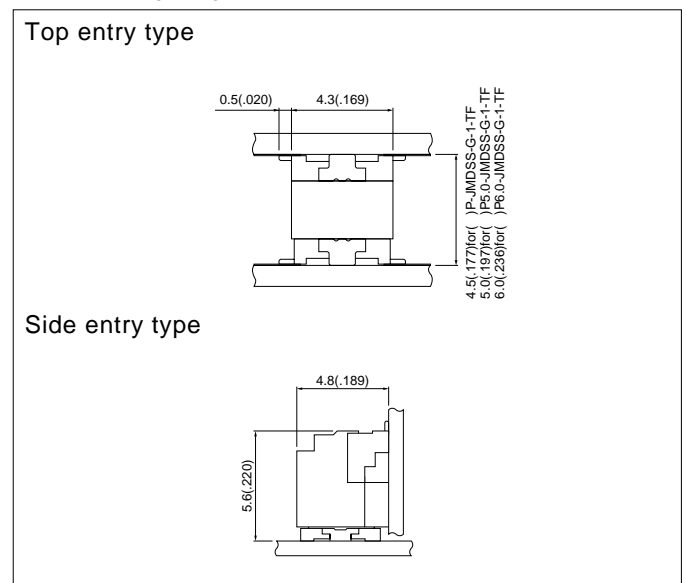
Circuits	Dimensions mm(in.)				Q'ty / reel
	F	S	W	W1	
20	7.5 (.295)	—	16.0 (.630)	17.5 (.689)	1,500
30	11.5 (.453)	—	24.0 (.945)	25.5 (1.004)	1,500
40	11.5 (.453)	—	24.0 (.945)	25.5 (1.004)	1,500
50	11.5 (.453)	—	24.0 (.945)	25.5 (1.004)	1,500
60	14.2 (.559)	28.4 (1.118)	32.0 (1.260)	32.0 (1.260)	1,500
70	14.2 (.559)	28.4 (1.118)	32.0 (1.260)	32.0 (1.260)	1,500
80	20.2 (.795)	40.4 (1.591)	44.0 (1.732)	44.0 (1.732)	1,500
100	20.2 (.795)	40.4 (1.591)	44.0 (1.732)	44.0 (1.732)	1,500

Note: 1. Specifications conform to JIS C 0806. The tape width, connector loading recess square hole dimensions, etc. are determined by the number of circuits and external shape of the connector to be loaded.
 2. Specifications are subject to change without prior notice.

PC board layout (viewed from component side)



Assembly layout



et4U.com