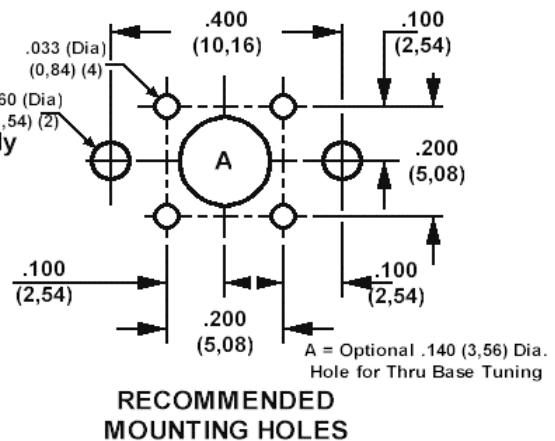
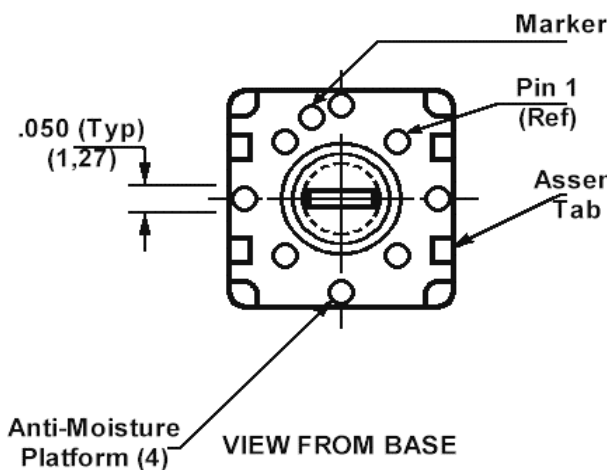
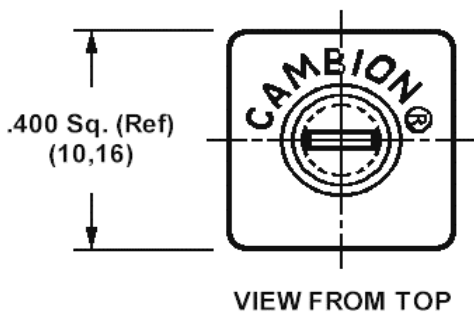
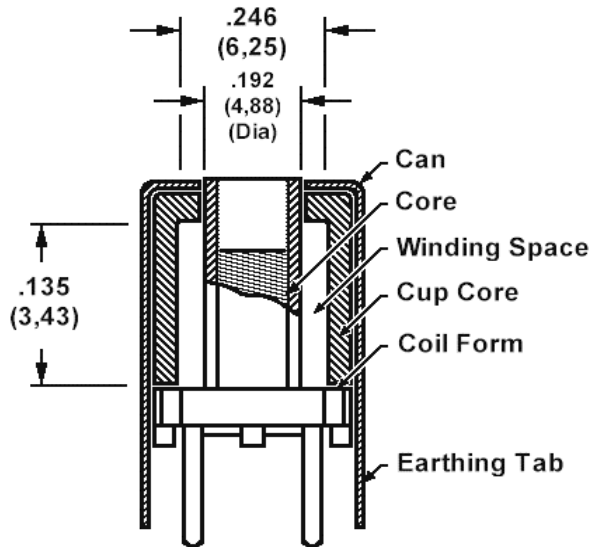
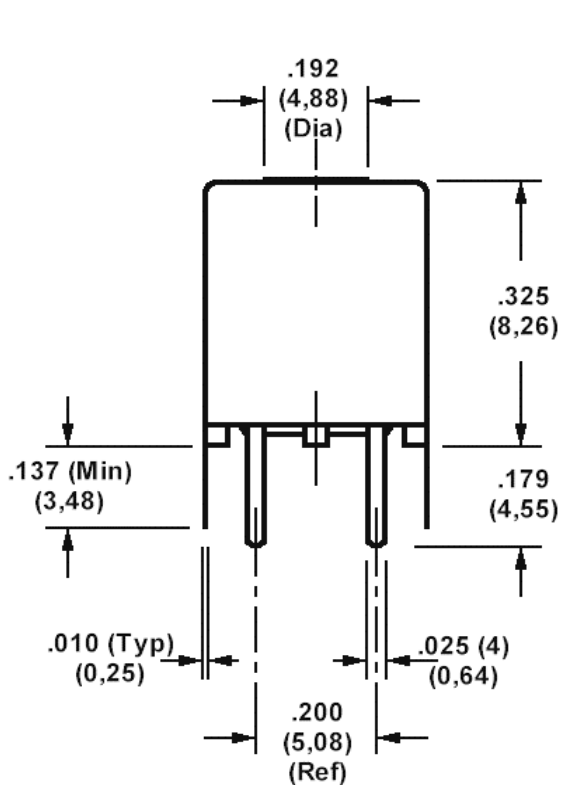


**Technical Data Sheet**

**533-3742, Coil Form, Shielded, Vertical, .190 (4,83) Winding Diameter,  
 (Uses 534-3706 form)**



How to order code  
**533-3742-XX-00-00**  
Basic Part No (XX = Frequency Range)

<b>Operating Frequencies and Materials</b>				
<b>Basic Part # (XX)</b>	<b>Recommended Oper. Freq. (MHz)</b>	<b>Core Material</b>	<b>Core Colour Code</b>	
533-3742	-01	.2 - 1.5	Carbonyl C	Yellow
	-02	1.0 - 20.0	Carbonyl E	Red
	-03	20.0 - 50.0	Carbonyl J	Green
	-04	50.0 - 200.0	122865A	White
	-06	2.0 - 40.0	Carbonyl TH	Purple
	-07	40.0 - 300.0	Carbonyl SF	Blue

<b>MATERIAL SPECIFICATIONS</b>			
<b>Component</b>	<b>Material</b>	<b>Finish</b>	
Coil Form	Polyester Glass	-	
Terminal Base	Mounting Pin	Brass	Hot Solder Dip - Centrifuged
	Base	Diallyl, Type SDG-F	-
Tuning Core	Powdered Iron	Moisture Proofed	
Cup Core	Powdered Iron	Moisture Proofed	
Can	Copper	Electro Solder Plate	

**Temperature Range: -55°C to +125°C**

Tolerance unless otherwise stated  $\pm .005$  (0,13)