

MILITARY SPECIFICATION  
MICROCIRCUITS, LINEAR, OPERATIONAL AMPLIFIER, MONOLITHIC SILICON

This specification is approved for use by all Departments and Agencies of the Department of Defense.

Inactive for new design after 13 July 1995.

1. SCOPE

1.1 Scope. This specification covers the detail requirements for monolithic silicon, operational amplifiers. Two product assurance classes and a choice of case outlines and lead finish are provided for each type and are reflected in the complete part number. For this product, the requirements of MIL-M-38510 have been superseded by MIL-PRF-38535, (see 6.3).

1.2 Part number. The complete part number shall be in accordance with MIL-PRF-38535, and as specified herein..

1.2.1 Device types. The device types shall be as shown in the following:

<u>Device type</u>	<u>Circuit</u>
01	Single operational amplifier - internally compensated
02	Dual operational amplifier - internally compensated
03	Single operational amplifier - externally compensated
04	Single operational amplifier - externally compensated
05	Dual operational amplifier - externally compensated <sup>1/</sup>
06	Dual operational amplifier - externally compensated <sup>1/</sup>
07	Single operational amplifier, high speed
08	Dual operational amplifier - internally compensated

1.2.2 Device class. The device class shall be the product assurance level as defined in MIL-PRF-38535.

<sup>1/</sup> Device types 05 and 06 may be monolithic, or they may consist of two separate, independent die.

Beneficial comments (recommendations, additions, deletions) and any pertinent data which may be use in improving this document should be addressed to: Commander, Defense Supply Center Columbus, ATTN: DSCC-VAS, 3990 East Broad St., Columbus, OH 43216-5000, by using the Standardization Document Improvement Proposal (DD Form 1426) appearing at the end of this document or by letter.

1.2.3 Case outlines. The case outlines shall be designated in MIL-STD-1835 and as follows:

<u>Outline letter</u>	<u>Descriptive designator</u>	<u>Terminals</u>	<u>Package style</u>
A <u>2/</u>	GDFP5-F14 or CDFP6-F14	14	Flat pack
B <u>2/</u>	GDFP4-14	14	Flat pack
C	GDIP1-T14 or CDIP2-T14	14	Dual-in-line
D	GDFP1-F14 or CDFP2-F14	14	Flat pack
E	GDIP1-T16 or CDIP2-T16	16	Dual-in-line
F	GDFP2-F16 or CDFP3-F16	16	Flat pack
G	MACY1-X8	8	Can
H	GDFP1-F10 or CDFP2-F10	10	Flat pack
I	MACY1-X10	10	Can
P	GDIP1-T8 or CDIP2-T8	8	Dual-in-line
Z	GDFP1-G10	10	Flat pack with gullwing leads
2	CQCC1-N20	20	Square leadless chip carrier

1.3 Absolute maximum ratings.

Supply voltage range ( $V_{CC}$ ).....	$\pm 22$ V dc <u>3/</u>
Input voltage range .....	$\pm 20$ V dc <u>4/</u>
Differential input voltage range .....	$\pm 30$ V dc <u>5/</u>
Input current range .....	-0.1 mA to +10 mA
Storage temperature range .....	-65°C to +150°C
Output short-circuit duration .....	Unlimited <u>6/</u>
Lead temperature (soldering, 60 seconds) .....	+300°C
Junction temperature ( $T_J$ ) .....	+175°C <u>7/</u>

1.4 Recommended operating conditions.

Supply voltage ( $V_{CC}$ ) .....	$\pm 5$ V dc to $\pm 20$ V dc
Ambient temperature range ( $T_A$ ) .....	-55°C to +125°C

2/ Inactive package case outline.

3/ Voltages in excess of these may be applied for short-term tests if voltage difference does not exceed 44 volts.

4/ For supply voltages less than  $\pm 20$  V dc, the absolute maximum input voltage is equal to the supply voltage.

5/ For device types 04, 06, and 07 only, this rating is  $\pm 1.0$  V unless resistances of 2 k $\Omega$  or greater are inserted in series with the inputs to limit current in the input shunt diodes to the maximum allowable value.

6/ Short circuit may be to ground or either supply. Rating applies to +125°C case temperature or +75°C ambient temperature.

7/ For short term test (in the specific burn-in and life test configuration when required and up to 168 hours maximum)  $T_J = +275^\circ\text{C}$ .

1.5 Power and thermal characteristics.

Case outlines	Maximum allowable power dissipation	Maximum $\theta_{JC}$	Maximum $\theta_{JA}$
A,B,D	350 mW at $T_A = +125^\circ\text{C}$	60°C/W	140°C/W
C,E,P	400 mW at $T_A = +125^\circ\text{C}$	35°C/W	120°C/W
G	330 mW at $T_A = +125^\circ\text{C}$	40°C/W	150°C/W
I	350 mW at $T_A = +125^\circ\text{C}$	40°C/W	140°C/W
H	330 mW at $T_A = +125^\circ\text{C}$	60°C/W	150°C/W
F	400 mW at $T_A = +125^\circ\text{C}$	35°C/W	120°C/W
Z	330 mW at $T_A = +125^\circ\text{C}$	21°C/W	225°C/W still air 142°C/W 500 LFPM
2	$\frac{8}{\text{g}}$ at $T_A = +125^\circ\text{C}$	60°C/W	120°C/W

## 2. APPLICABLE DOCUMENTS

2.1 Government documents.

2.1.1 Specifications, standards, and handbooks. The following specifications and standards form a part of this specification to the extent specified herein. Unless otherwise specified, the issues of these documents are those cited in the solicitation or contract.

## DEPARTMENT OF DEFENSE SPECIFICATIONS

MIL-PRF-38535 - Integrated Circuits (Microcircuits) Manufacturing, General Specification for.

## DEPARTMENT OF DEFENSE STANDARDS

MIL-STD-883 - Test Method Standard for Microelectronics.  
MIL-STD-1835 - Interface Standard Electronic Component Outlines.

(Copies of these documents are available from the Standardization Document Order Desk, 700 Robbins Avenue, Building 4D, Philadelphia, PA 19111-5094 or <http://astimage.daps.dla.mil/quicksearch/> or [www.dodssp.daps.mil](http://www.dodssp.daps.mil).)

2.2 Order of precedence. In the event of a conflict between the text of this specification and the references cited herein the text of this document shall takes precedence. Nothing in this document, however, supersedes applicable laws and regulations unless a specific exemption has been obtained.

$\frac{8}{\text{g}}$   $P_D = 102$  mW for device type 01.  $P_D = 75$  mW for device type 03.  $P_D = 149$  mW for device type 04.

### 3. REQUIREMENTS

3.1 Qualification. Microcircuits furnished under this specification shall be products that are manufactured by a manufacturer authorized by the qualifying activity for listing on the applicable qualified manufacturers list before contract award (see 4.3 and 6.4).

3.2 Item requirements. The individual item requirements shall be in accordance with MIL-PRF-38535 and as specified herein or as modified in the device manufacturer's Quality Management (QM) plan. The modification in the QM plan shall not affect the form, fit, or function as described herein.

3.3 Design, construction, and physical dimensions. The design, construction, and physical dimensions shall be as specified in MIL-PRF-38535 and herein.

3.3.1 Terminal connections. The terminal connections shall be as specified on figure 1.

3.3.2 Schematic circuits. The schematic circuits shall be maintained by the manufacturer and made available to the qualifying activity and the preparing activity (DSCC-VAS) upon request.

3.3.3 Case outlines. The case outlines shall be as specified in 1.2.3.

3.4 Lead material and finish. Lead material and finish shall be in accordance with MIL-PRF-38535 (see 6.6).

3.5 Electrical performance characteristics. The following electrical performance characteristics apply over the full operating ambient temperature range of  $-55^{\circ}\text{C}$  to  $+125^{\circ}\text{C}$  and for supply voltages  $\pm 5$  V dc to  $\pm 20$  V dc, unless otherwise specified (see table I).

3.5.1 Offset null circuits. Each amplifier having nulling inputs (device types 01, 02, 03, 05, and 07) shall be capable of being nulled 1 mV beyond the specified offset voltage limits for  $-55^{\circ}\text{C} \leq T_A \leq +125^{\circ}\text{C}$  using the circuits of figure 2.

3.5.2 Frequency compensation. Device types 01, 02, 07, and 08 shall be free of oscillation when operated in a unity gain non-inverting mode with no external compensation and a source resistance of  $\leq 10$  k $\Omega$ , and when operated in any test condition specified herein. Device types 03, 04, 05, and 06 shall be free from oscillation when compensated with a 30 pF capacitor for all gain configurations or a 3 pF capacitor when used with a gain of 10.

3.6 Rebonding. Rebonding shall be in accordance with MIL-PRF-38535.

3.7 Electrical test requirements. Electrical test requirements for each device class shall be the subgroups specified in table II. The electrical tests for each subgroup are described in table III.

3.8 Marking. Marking shall be in accordance with MIL-PRF-38535.

3.9 Microcircuit group assignment. The devices covered by this specification shall be in microcircuit group number 49 (see MIL-PRF-38535, appendix A).

TABLE I. Electrical performance characteristics. 1/

Test	Symbol	Conditions -55°C ≤ T <sub>A</sub> ≤ +125°C see figure 3 unless otherwise specified	Group A subgroups	Device type	Limits		Unit
					Min	Max	
Input offset voltage	V <sub>IO</sub>	R <sub>S</sub> = 50 Ω 2/	1	01,02, 08	-3	+3	mV
				03,05	-2	+2	
				04,06	-0.5	+0.5	
				07	-4	+4	
			2,3	01,02, 08	-4	+4	
				03,05	-3	+3	
				04,06	-1	+1	
				07	-6	+6	
Input offset voltage temperature sensitivity	ΔV <sub>IO</sub> / ΔT		2	01,02, 08	-15	+15	μV/°C
				03,05	-18	+18	
				04,06	-5	+5	
				07	-50	+50	
			3	01,02, 03,05	-15	+15	
				04,06	-5	+5	
				07	-50	+50	
				08	-20	20	

See footnotes at end of table.

TABLE I. Electrical performance characteristics – Continued. 1/

Test	Symbol	Conditions -55°C ≤ T <sub>A</sub> ≤ +125°C see figure 3 unless otherwise specified	Group A subgroups	Device type	Limits		Unit
					Min	Max	
Input offset current	I <sub>IO</sub>	<u>2/</u>	1	01,02, 08	-30	+30	nA
				03,05	-10	+10	
				04,06	-0.2	+0.2	
				07	-40	+40	
			2,3	01,02, 08	-70	+70	
				03,05	-20	+20	
				04,06	-0.4	+0.4	
				07	-80	+80	
Input offset current temperature sensitivity	ΔI <sub>IO</sub> / ΔT		2	01,02, 08	-500	+500	pA/°C
				03,05	-200	+200	
				04,06	-2.5	+2.5	
				07	-1000	+1000	
			3	01,02, 08	-200	+200	
				03,05	-100	+100	
				04,06	-2.5	+2.5	
				07	-1000	+1000	

See footnotes at end of table.

TABLE I. Electrical performance characteristics – Continued. 1/

Test	Symbol	Conditions -55°C ≤ T <sub>A</sub> ≤ +125°C see figure 3 unless otherwise specified	Group A subgroups	Device type	Limits		Unit
					Min	Max	
Input bias current	+I <sub>B</sub>	<u>2/</u>	1,2	01,02, 08	-0.1	+110	nA
				03,05	-0.1	+75	
				07	-0.1	+250	
			1	04,06	-0.1	+2.0	
					2	-1.0	
			3	01,02, 08	-0.1	+265	
				03,05	-0.1	+100	
				04,06	-0.1	+3.0	
				07	-0.1	+400	
			-I <sub>B</sub>	1,2	01,02, 08	-0.1	
	03,05				-0.1	+75	
	07				-0.1	+250	
	1			04,06	-0.1	+2.0	
					2	-1.0	
	3			01,02, 08	-0.1	+265	
				03,05	-0.1	+100	
				04,06	-0.1	+3.0	
				07	-0.1	+400	

See footnotes at end of table.

TABLE I. Electrical performance characteristics – Continued. 1/

Test	Symbol	Conditions -55°C ≤ T <sub>A</sub> ≤ +125°C see figure 3 unless otherwise specified	Group A subgroups	Device type	Limits		Unit
					Min	Max	
Power supply rejection ratio	+PSRR	+V <sub>CC</sub> = 10 V, R <sub>S</sub> = 50 Ω,  -V <sub>CC</sub> = -20 V	1	01,02, 03,05, 08	-50	+50	μV/V
				04,06	-16	+16	
				07	-100	+100	
			2,3	01,02, 03,05, 08	-100	+100	
				04,06	-16	+16	
				07	-150	+150	
	-PSRR	+V <sub>CC</sub> = 20 V, R <sub>S</sub> = 50 Ω,  -V <sub>CC</sub> = -10 V	1	01,02, 03,05, 08	-50	+50	
				04,06	-16	+16	
				07	-100	+100	
			2,3	01,02, 03,05, 08	-100	+100	
				04,06	-16	+16	
				07	-150	+150	
Input voltage common mode rejection	CMR	±V <sub>CC</sub> = 20 V, V <sub>IN</sub> = ±15 V, R <sub>S</sub> = 50 Ω	1,2,3	01,02, 03,05, 07,08	80		dB
				04,06	96		

See footnotes at end of table.



## MIL-M-38510/101J

TABLE I. Electrical performance characteristics – Continued. 1/

Test	Symbol	Conditions -55°C ≤ T <sub>A</sub> ≤ +125°C see figure 3 unless otherwise specified	Group A subgroups	Device type	Limits		Unit
					Min	Max	
Adjustment for input <u>3/</u> offset voltage	V <sub>IO</sub> ADJ(+)	±V <sub>CC</sub> = 20 V	1,2,3	01,02, 08	+5		mV
				03,05	+4		
				04,06	No external ADJ		
				07	+7		
Adjustment for input <u>3/</u> offset voltage	V <sub>IO</sub> ADJ(-)	±V <sub>CC</sub> = 20 V	1,2,3	01,02, 08		-5	mV
				03,05		-4	
				04,06		No extern al ADJ	
				07		-7	
Output short-circuit current (for positive output)	I <sub>OS</sub> (+)	±V <sub>CC</sub> = 15 V, t ≤ 25 ms <u>4/</u>	1,2,3	01,02, 03,05, 08	-60		mA
				04,06	-15		
				07	-65		
Output short-circuit current (for negative output)	I <sub>OS</sub> (-)	±V <sub>CC</sub> = 15 V, t ≤ 25 ms <u>4/</u>	1,2,3	01,02, 03,05, 08		+60	mA
				04,06		+15	
			1,2	07		+65	
			3			+80	

See footnotes at end of table.

## MIL-M-38510/101J

TABLE I. Electrical performance characteristics – Continued. 1/

Test	Symbol	Conditions -55°C ≤ T <sub>A</sub> ≤ +125°C see figure 3 unless otherwise specified	Group A subgroups	Device type	Limits		Unit
					Min	Max	
Supply current	I <sub>CC</sub>	±V <sub>CC</sub> = ±15 V <u>5/</u>	1	01,02, 08		+3.8	mA
				03,05		+3	
				04,06		+0.6	
				07		+8	
			2	01,02, 08		+3.4	
				03,05		+2.5	
				04,06		+0.6	
				07		+7	
			3	01,02, 08		+4.2	
				03,05		+3.5	
				04,06		+0.8	
				07		+9	
Output voltage swing (maximum)	V <sub>OP</sub>	±V <sub>CC</sub> = 20 V, R <sub>L</sub> = 10 kΩ	4,5,6	01-06, 08	±16		V
				07	±17		
		±V <sub>CC</sub> = 20 V, R <sub>L</sub> = 2 kΩ		01,02, 03,05, 08	±15		
				04,06	Not speci- fied		
				07	±16		

See footnotes at end of table.

TABLE I. Electrical performance characteristics – Continued. 1/

Test	Symbol	Conditions -55°C ≤ T <sub>A</sub> ≤ +125°C see figure 3 unless otherwise specified	Group A subgroups	Device type	Limits		Unit
					Min	Max	
Open loop voltage gain <u>6/</u> (single ended)	A <sub>VS</sub> (±)	±V <sub>CC</sub> = 20 V, <u>7/</u> R <sub>L</sub> = 2 kΩ, 10 kΩ V <sub>OUT</sub> = ±15 V	4	01,02, 03,05, 07,08	50		V/mV
				04,06	80		
			5,6	01,02, 03,05, 08	25		
				04,06	40		
				07	32		
Open loop voltage gain <u>6/</u> (single ended)	A <sub>VS</sub>	±V <sub>CC</sub> = 5 V, <u>7/</u> R <sub>L</sub> = 2 kΩ, 10 kΩ V <sub>OUT</sub> = ±2 V	4,5,6	01,02, 03,05, 07,08	10		V/mV
				04,06	20		
Transient response rise time	TR <sub>(tr)</sub>	See figure 4 <u>8/</u>	7,8A,8B	01,02, 03,05, 08		+800	ns
				04,06		+1000	
				07		+40	
Transient response overshoot	TR <sub>(OS)</sub>	See figure 4 <u>8/</u>	7,8A,8B	01,02, 03,05, 08		+25	%
				04,06, 07		+50	
Slew rate <u>9/</u>	SR(+)	V <sub>IN</sub> = ±5 V, A <sub>V</sub> = 1, see figure 4	7,8B	01,02, 08	+0.3		V/μs
				03,05	<u>10/</u>		
				04,06	+0.05		
				07	+40		

See footnotes at end of table.

TABLE I. Electrical performance characteristics – Continued. 1/

Test	Symbol	Conditions -55°C ≤ T <sub>A</sub> ≤ +125°C see figure 3 unless otherwise specified	Group A subgroups	Device type	Limits		Unit
					Min	Max	
Slew rate <u>9/</u>	SR(+)	V <sub>IN</sub> = ±5 V, A <sub>V</sub> = 1,  see figure 4	8A	01,02, 03,05, 08	+0.3		V/μs
				04,06	+0.05		
				07	+30		
Slew rate <u>9/</u>	SR(-)	V <sub>IN</sub> = ±5 V, A <sub>V</sub> = 1,  see figure 4	7,8B	01,02, 08	+0.3		V/μs
				03,05	<u>10/</u>		
				04,06	+0.05		
				07	+40		
			8A	01,02, 03,05, 08	+0.3		
				04,06	+0.05		
				07	+30		
Settling time <u>11/</u>	t <sub>S</sub> (+)	See figure 4	12	07		800	ns
			13A,13B			1200	
	t <sub>S</sub> (-)		12			800	
	13A,13B				1200		
Channel separation	CS	±V <sub>CC</sub> = ±20 V, see figure 5, T <sub>A</sub> = +25°C	7	02,05, 06,08	80		dB

See footnotes at end of table.

TABLE I. Electrical performance characteristics – Continued. 1/

Test	Symbol	Conditions -55°C ≤ T <sub>A</sub> ≤ +125°C see figure 3 unless otherwise specified	Group A subgroups	Device type	Limits		Unit
					Min	Max	
Noise (referred to input) broadband	NI(BB)	±V <sub>CC</sub> = 20 V, T <sub>A</sub> = +25°C, bandwidth = 5 kHz	7	01-06, 08		15	μVrms
				07		25	
Noise (referred to input) popcorn	NI(PC)	±V <sub>CC</sub> = 20 V, T <sub>A</sub> = +25°C, bandwidth = 5 kHz	7	01,02, 04,06, 08		40	μVpk
				03,05, 07		80	

- 1/ For devices marked with the “Q” certification mark, the parameters listed herein maybe guaranteed if not tested to the limits specified herein in accordance with the manufacturer’s QM plan.
- 2/ Tests at common mode V<sub>CM</sub> = 0 V, V<sub>CM</sub> = -15 V, and V<sub>CM</sub> = +15 V.
- 3/ V<sub>IO(ADJ)</sub> is not performed on device type 02, case I only, or on device type 08 for either case G or P.
- 4/ Continuous short circuit limits will be considerably less than the indicated test limits. Continuous I<sub>OS</sub> at T<sub>A</sub> ≤ +75°C will cause T<sub>J</sub> to exceed the maximum of +175°C. For dual devices, I<sub>OS</sub> is measured one channel at a time.
- 5/ Value shown is for single devices (01, 03, 04) only. For dual devices (02, 05, 06, and 08) this limit is for single devices.
- 6/ Note that gain is not specified at V<sub>IO(ADJ)</sub> extremes. Some gain reduction is usually seen at V<sub>IO(ADJ)</sub> extremes. For closed loop applications (closed loop gain less than 1,000), the open loop tests (AVS) prescribed herein should guarantee a positive, reasonably linear, transfer characteristic. They do not, however, guarantee that the open loop gain is linear, or even positive, over the operating range. If either of these requirements exist (positive open loop gain or open loop gain linearity), they should be specified in the individual procurement document as additional requirements.
- 7/ R<sub>L</sub> = 10 kΩ only for device types 04 and 06.
- 8/ For transient response tests, C<sub>F</sub> = 10 pF for device types 01, 02, 03, 04, 05, 06, and 08. Device type 07, C<sub>F</sub> = 47 pF. C<sub>F</sub> includes the effects of stray capacitance.
- 9/ Minimum limit for device 08 is 0.4 V/μs at all temperatures.
- 10/ Minimum limits for device types 03 and 05 are 0.2 V/μs at -55°C and 0.3 V/μs at both +25°C and +125°C.
- 11/ Settling time is waived for method 5004, MIL-STD-883 except for device type 07.

TABLE II. Electrical test requirements.

MIL-PRF-38535 test requirements	Subgroups (see table III)	
	Class S devices	Class B devices
Interim electrical parameters	1	1
Final electrical test parameters <sup>1/</sup>	1,2,3,4	1,2,3,4
Group A test requirements	1,2,3,4,5,6, 7,8A,8B,12, 13A,13B	1,2,3,4,5,6,7
Group C end point electrical parameters	1,2,3, and table IV delta limits	1 and table IV delta limits
Additional electrical subgroups For group C periodic inspections	Not applicable	8A,8B,12, 13A,13B
Group D end point electrical parameters	1,2,3	1

<sup>1/</sup> PDA applies to subgroup 1.

#### 4. VERIFICATION.

4.1 Sampling and inspection. Sampling and inspection procedures shall be in accordance with MIL-PRF-38535 or as modified in the device manufacturer's Quality Management (QM) plan. The modification in the QM plan shall not affect the form, fit, or function as function as described herein.

4.2 Screening. Screening shall be in accordance with MIL-PRF-38535, and shall be conducted on all devices prior to qualification and quality conformance inspection. The following additional criteria shall apply:

- a. The burn-in test duration, test condition, and test temperature, or approved alternatives shall be as specified in the device manufacturer's QM plan in accordance with MIL-PRF-38535. The burn-in test circuit shall be maintained under document control by the device manufacturer's Technology Review Board (TRB) in accordance with MIL-PRF-38535 and shall be made available to the acquiring or preparing activity upon request. The test circuit shall specify the inputs, outputs, biases, and power dissipation, as applicable, in accordance with the intent specified in test method 1015 of MIL-STD-883.
- b. Interim and final electrical test parameters shall be as specified in table II, except interim electrical parameters test prior to burn-in is optional at the discretion of the manufacturer.
- c. Additional screening for space level product shall be as specified in MIL-PRF-38535.

MIL-M-38510/101J

Device type	01			
Case outlines	A,B,C,D	G and P	H	2
Terminal number	Terminal symbol			
1	NC	OFFSET NULL	NC	NC
2	NC	-INPUT	OFFSET NULL	OFFSET NULL (-)
3	OFFSET NULL	+INPUT	-INPUT	NC
4	-INPUT	-V <sub>CC</sub>	+INPUT	NC
5	+INPUT	OFFSET NULL	-V <sub>CC</sub>	-INPUT
6	-V <sub>CC</sub>	OUTPUT	OFFSET NULL	NC
7	NC	+V <sub>CC</sub>	OUTPUT	+INPUT
8	NC	NC	+V <sub>CC</sub>	NC
9	OFFSET NULL	---	NC	NC
10	OUTPUT	---	NC	-V <sub>CC</sub>
11	+V <sub>CC</sub>	---	---	NC
12	NC	---	---	OFFSET NULL (+)
13	NC	---	---	NC
14	NC	---	---	NC
15	---	---	---	OUTPUT
16	---	---	---	NC
17	---	---	---	+V <sub>CC</sub>
18	---	---	---	NC
19	---	---	---	NC
20	---	---	---	NC

NC = No connection

FIGURE 1. Terminal connections.

MIL-M-38510/101J

Device type	02		03		
Case outlines	A,B,C,D	I	C	G and P	H
Terminal number	Terminal symbol				
1	-INPUT A	OUTPUT A	NC	OFFSET NULL / COMP	NC
2	+INPUT A	+V <sub>CC</sub> (A) SEE NOTE 2	NC	-INPUT	OFFSET NULL / COMP
3	OFFSET NULL A	-INPUT A	OFFSET NULL / COMP	+INPUT	-INPUT
4	-V <sub>CC</sub>	+INPUT A	-INPUT	-V <sub>CC</sub>	+INPUT
5	OFFSET NULL B	-V <sub>CC</sub>	+INPUT	OFFSET NULL	-V <sub>CC</sub>
6	+INPUT B	+INPUT B	-V <sub>CC</sub>	OUTPUT	OFFSET NULL
7	-INPUT B	-INPUT B	NC	+V <sub>CC</sub>	OUTPUT
8	OFFSET NULL B	+V <sub>CC</sub> (B) SEE NOTE 2	NC	COMP	+V <sub>CC</sub>
9	+V <sub>CC</sub> (B) SEE NOTE 2	OUTPUT B	OFFSET NULL	---	COMP
10	OUTPUT B	NC	OUTPUT	---	NC
11	NC	---	+V <sub>CC</sub>	---	---
12	OUTPUT A	---	COMP	---	---
13	+V <sub>CC</sub> (A) SEE NOTE 2	---	NC	---	---
14	OFFSET NULL A	---	NC	---	---
15	---	---	---	---	---
16	---	---	---	---	---
17	---	---	---	---	---
18	---	---	---	---	---
19	---	---	---	---	---
20	---	---	---	---	---

NC = No connection

FIGURE 1. Terminal connections – Continued.



## MIL-M-38510/101J

Device type	03	04			
Case outlines	2	C	G and P	H	2
Terminal number	Terminal symbol				
1	NC	NC	INPUT COMP	NC	NC
2	OFFSET NULL (-)	INPUT COMP	-INPUT	GUARD	INPUT COMP
3	NC	GUARD	+INPUT	-INPUT	NC
4	NC	-INPUT	-V <sub>CC</sub>	+INPUT	NC
5	-INPUT	+INPUT	NC	GUARD	-INPUT
6	NC	GUARD	OUTPUT	-V <sub>CC</sub>	NC
7	+INPUT	-V <sub>CC</sub>	+V <sub>CC</sub>	OUTPUT	+INPUT
8	NC	NC	OUTPUT COMP	+V <sub>CC</sub>	NC
9	NC	NC	---	OUTPUT COMP	NC
10	-V <sub>CC</sub>	OUTPUT	---	INPUT COMP	-V <sub>CC</sub>
11	NC	+V <sub>CC</sub>	---	---	NC
12	OFFSET NULL (+)	OUTPUT COMP	---	---	NC
13	NC	NC	---	---	NC
14	NC	NC	---	---	NC
15	OUTPUT	---	---	---	OUTPUT
16	NC	---	---	---	NC
17	+V <sub>CC</sub>	---	---	---	+V <sub>CC</sub>
18	NC	---	---	---	NC
19	NC	---	---	---	NC
20	FREQ COMP	---	---	---	OUTPUT COMP

NC = No connection

FIGURE 1. Terminal connections – Continued.

## MIL-M-38510/101J

Device type	05	06	07	
Case outlines	E and F	E and F	C	G and P
Terminal number	Terminal symbol			
1	+V <sub>CC</sub> (A) SEE NOTE 5	+V <sub>CC</sub> (A) SEE NOTE 5	NC	COMP A / OFFSET NULL
2	COMP A	OUTPUT COMP A	NC	-INPUT
3	OFFSET NULL / COMP	INPUT COMP A	COMP A / OFFSET NULL	+INPUT
4	-INPUT A	-INPUT A	-INPUT	-V <sub>CC</sub>
5	+INPUT A	+INPUT A	+INPUT	COMP B / OFFSET NULL
6	-V <sub>CC</sub>	-V <sub>CC</sub>	-V <sub>CC</sub>	OUTPUT
7	OFFSET NULL B	NC	NC	+V <sub>CC</sub>
8	OUTPUT B	OUTPUT B	NC	COMP C
9	+V <sub>CC</sub> (B) SEE NOTE 5	+V <sub>CC</sub> (B) SEE NOTE 5	COMP B / OFFSET NULL	---
10	COMP B	OUTPUT COMP B	OUTPUT	---
11	OFFSET NULL / COMP B	INPUT COMP B	+V <sub>CC</sub>	---
12	-INPUT B	-INPUT B	COMP C	---
13	+INPUT B	+INPUT B	NC	---
14	OFFSET NULL A	NC	NC	---
15	NC	NC	---	---
16	OUTPUT A	OUTPUT A	---	---

NC = No connection

FIGURE 1. Terminal connections – Continued.

MIL-M-38510/101J

Device types	07	08
Case outlines	H	G and P
Terminal number	Terminal symbol	
1	NC	OUTPUT A
2	COMP A / OFFSET NULL	-INPUT A
3	-INPUT	+INPUT A
4	+INPUT	-V <sub>CC</sub>
5	-V <sub>CC</sub>	+INPUT B
6	COMP B / OFFSET NULL	-INPUT B
7	OUTPUT	OUTPUT B
8	+V <sub>CC</sub>	+V <sub>CC</sub>
9	COMP C	---
10	NC	---

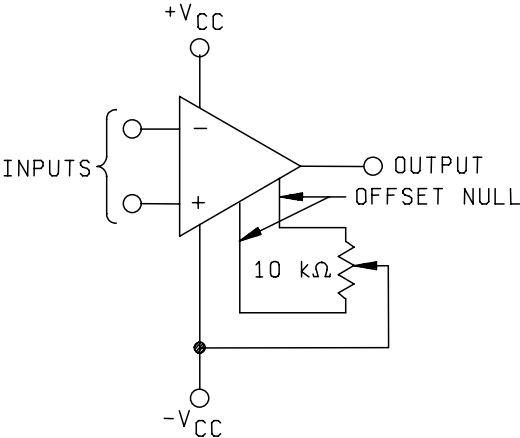
NC = No connection

NOTES:

1. -V<sub>CC</sub> shall be connected to case of metal packages.
2. For device type 02 only, +V<sub>CC</sub> (A) and +V<sub>CC</sub> (B) shall be internally connected.
3. +Input is non-inverting input.
4. -Input is inverting input.
5. For device types 05 and 06 only, +V<sub>CC</sub> (A) and +V<sub>CC</sub> (B) shall not be internally connected. (External connection to the same supply voltage recommended).

FIGURE 1. Terminal connections – Continued.

DEVICE TYPES 01 AND 02



DEVICE TYPES 03 AND 05

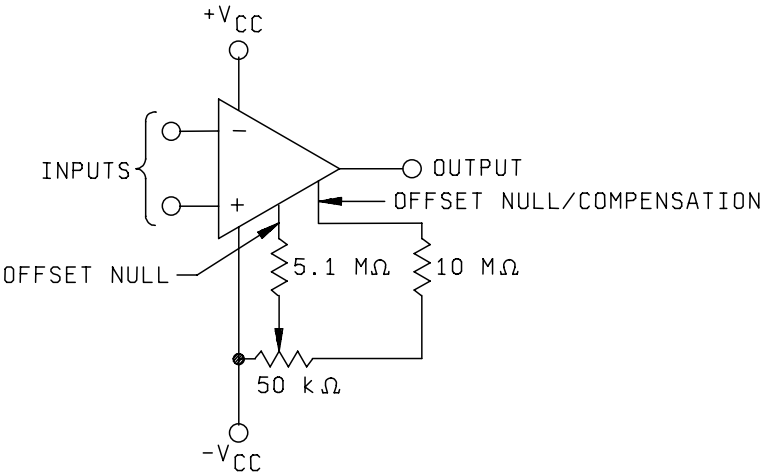


FIGURE 2. Offset null circuits.

DEVICE TYPE 07

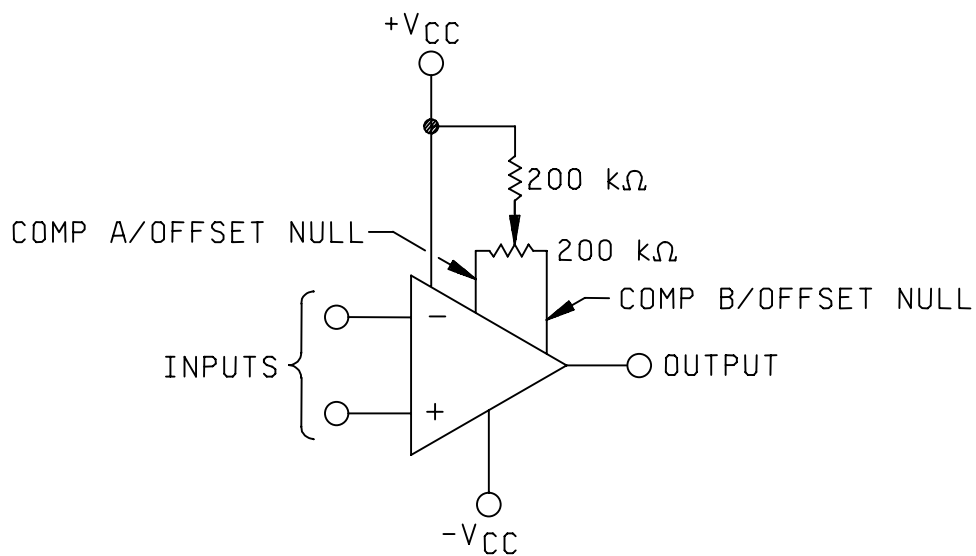


FIGURE 2. Offset null circuits - Continued.

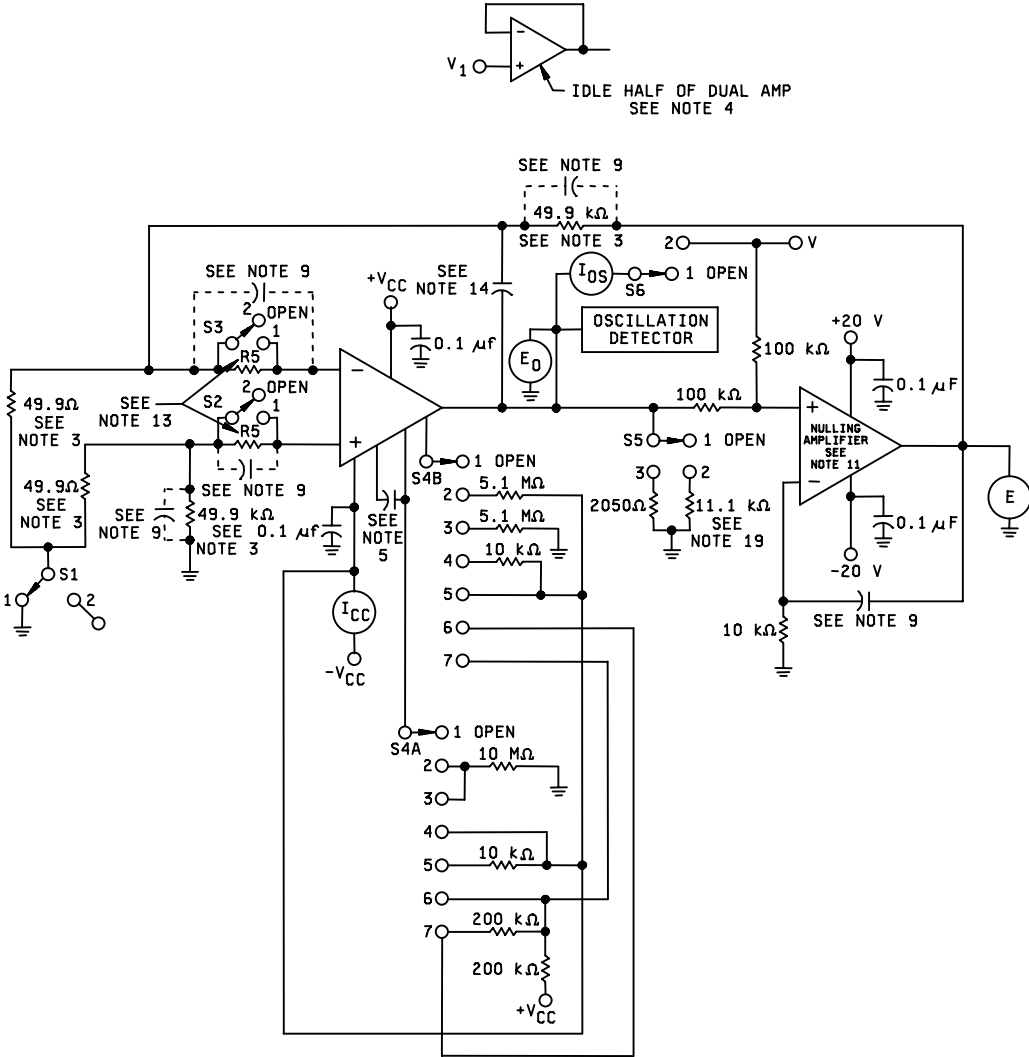


FIGURE 3. Test circuit for static and dynamic tests.

Parameter	Apply (in volts)		Switch position						Measure		Measured parameter 20/ Equation	Units	
	+VCC	-VCC	V	S1	S2	S3	S4	S5	S6	Value			Units
V <sub>IO</sub>	35 5 20 5	-5 -35 -20 -5	-15 15 0	1 1 1 1	1 1 1 1	1 1 1 1	1 1 1 1	1 1 1 1	1 1 1 1	E1 E2 E3 E4	V	$V_{IO} = E1, E2, E3, E4$	mV
I <sub>IO</sub>	35 5 20 5	-5 -35 -20 -5	-15 15 0	1 1 1 1	2 2 2 2	2 2 2 2	1 1 1 1	1 1 1 1	1 1 1 1	E5 E6 E7 E8	V	$I_{IO} = ((E1 - E5) \times 10^6) / RS, ((E2 - E6) \times 10^6) / RS, 13/((E3 - E7) \times 10^6) / RS, ((E4 - E8) \times 10^6) / RS$	nA
+I <sub>IB</sub>	35 5 20 5	-5 -35 -20 -5	-15 15 0	1 1 1 1	2 2 2 2	1 1 1 1	1 1 1 1	1 1 1 1	1 1 1 1	E9 E10 E11 E12	V	$+I_{IB} = ((E1 - E9) \times 10^6) / RS, ((E2 - E10) \times 10^6) / RS, 13/((E3 - E11) \times 10^6) / RS, ((E4 - E12) \times 10^6) / RS$	nA
-I <sub>IB</sub>	35 5 20 5	-5 -35 -20 -5	-15 15 0	1 1 1 1	1 1 1 1	2 2 2 2	1 1 1 1	1 1 1 1	1 1 1 1	E13 E14 E15 E16	V	$-I_{IB} = ((E13 - E1) \times 10^6) / RS, ((E14 - E2) \times 10^6) / RS, 13/((E15 - E3) \times 10^6) / RS, ((E16 - E4) \times 10^6) / RS$	nA
+PSRR	10	-20	5	1	1	1	1	1	1	E18	V	$+PSRR = (E3 - E18) \times 10^2$	μV/V
-PSRR	20	-10	-5	1	1	1	1	1	1	E19	V	$-PSRR = (E3 - E19) \times 10^2$	μV/V
CMR	35 5	-5 -35	-15 +15	1 1	1 1	1 1	1 1	1 1	1 1	E1 E2	V V	$CMR = 20 \text{ LOG } [(30 \times 10^3) / (E1 - E2)]$	dB
V <sub>IO</sub> $\bar{I}$ / ADJ(+)	20	-20	0	1	1	1	2	1	1	E20	V	$V_{IO} \text{ ADJ } (+) = (E3 - E20)$	mV
V <sub>IO</sub> $\bar{I}$ / ADJ(-)	20	-20	0	1	1	1	3	1	1	E21	V	$V_{IO} \text{ ADJ } (-) = (E3 - E21)$	mV
V <sub>IO</sub> $\bar{I}$ / ADJ(+)	20	-20	0	1	1	1	4	1	1	E22	V	$V_{IO} \text{ ADJ } (+) = (E3 - E22)$	mV
V <sub>IO</sub> $\bar{I}$ / ADJ(-)	20	-20	0	1	1	1	5	1	1	E23	V	$V_{IO} \text{ ADJ } (-) = (E3 - E23)$	mV
V <sub>IO</sub> $\bar{I}$ / ADJ(+)	20	-20	0	1	1	1	6	1	1	E34	V	$V_{IO} \text{ ADJ } (+) = (E3 - E34)$	mV
V <sub>IO</sub> $\bar{I}$ / ADJ(-)	20	-20	0	1	1	1	7	1	1	E35	V	$V_{IO} \text{ ADJ } (-) = (E3 - E35)$	mV

FIGURE 3. Test circuit for static and dynamic tests- Continued.

Parameter	Apply (in volts)			Switch position						Measure		Measured parameter <sup>20/</sup>	Units
	+VCC	-VCC	V	S1	S2	S3	S4	S5	S6	Value	Units		
+I <sub>OS</sub> (output)	15	-15	-15	1	1	1	1	1	2	I <sub>OS1</sub>	mA	+I <sub>OS</sub> = I <sub>OS1</sub>	mA
-I <sub>OS</sub> (output)	15	-15	+15	1	1	1	1	1	2	I <sub>OS2</sub>	mA	-I <sub>OS</sub> = I <sub>OS2</sub>	mA
I <sub>CC</sub>	15	-15	0	1	1	1	1	1	1	I <sub>CC</sub>	mA	I <sub>CC</sub> = I <sub>CC</sub>	mA
+V <sub>OP</sub> R <sub>L</sub> = 10 kΩ	20	-20	-20	1	1	1	1	2	1	(E0)1	V	+V <sub>OP</sub> = (E0)1	V
-V <sub>OP</sub> R <sub>L</sub> = 10 kΩ	20	-20	+20	1	1	1	1	2	1	(E0)2	V	-V <sub>OP</sub> = (E0)2	V
+V <sub>OP</sub> R <sub>L</sub> = 2 kΩ	20	-20	-20	1	1	1	1	3	1	(E0)3	V	+V <sub>OP</sub> = (E0)3	V
-V <sub>OP</sub> R <sub>L</sub> = 2 kΩ	20	-20	+20	1	1	1	1	3	1	(E0)4	V	-V <sub>OP</sub> = (E0)4	V
+A <sub>VS</sub> $\frac{16}{}$ R <sub>L</sub> = 2 kΩ	20	-20	-15	1	1	1	1	3	1	E24	V	+A <sub>VS</sub> = 15 / (E3 - E24)	V/mV
-A <sub>VS</sub> $\frac{16}{}$ R <sub>L</sub> = 2 kΩ	20	-20	+15	1	1	1	1	3	1	E25	V	-A <sub>VS</sub> = 15 / (E25 - E3)	V/mV
A <sub>VS</sub> $\frac{16}{}$ R <sub>L</sub> = 2 kΩ	5	-5	-2	1	1	1	1	3	1	E26 E27	V	A <sub>VS</sub> = 4 / (E27 - E26)	V/mV
+A <sub>VS</sub> $\frac{16}{}$ R <sub>L</sub> = 10 kΩ	20	-20	-15	1	1	1	1	2	1	E30	V	+A <sub>VS</sub> = 15 / (E3 - E30)	V/mV
-A <sub>VS</sub> $\frac{16}{}$ R <sub>L</sub> = 10 kΩ	20	-20	+15	1	1	1	1	2	1	E31	V	-A <sub>VS</sub> = 15 / (E31 - E3)	V/mV
A <sub>VS</sub> $\frac{16}{}$ R <sub>L</sub> = 10 kΩ	5	-5	-2	1	1	1	1	2	1	E32 E33	V	A <sub>VS</sub> = 4 / (E33 - E32)	V/mV
CMR $\frac{3}{}$	20	-20	+15	2	1	1	1	1	1	E28 $\frac{1}{}$ E29 $\frac{1}{}$	V	CMR = 20 log (30 x 10 <sup>3</sup> ) / (E28 - E29)	

FIGURE 3. Test circuit for static and dynamic tests- Continued.



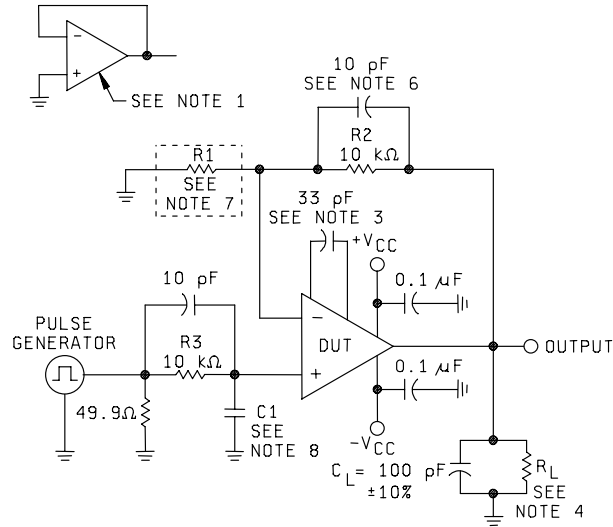
## NOTES:

- 1/ These voltages in mV shall be measured to four place accuracy to provide required resolution in PSRR and CMR.
- 2/ Precautions shall be taken to prevent damage to the device under test during insertion into socket and change of switch positions (example, disable voltage supplies, current limit  $\pm V_{CC}$ , etc.).
- 3/ If this alternate CMR test is used, these resistors shall be of .01 percent tolerances matched to .001 percent.
- 4/ Device types 02, 05, and 06 only, test both halves for all tests. The idle half of the dual amplifiers shall be maintained in this configuration where V1 is midway between  $+V_{CC}$  and  $-V_{CC}$ , or the manufacturer has the option to connect the idle half in a  $V_{IO}$  configuration such that the inputs are maintained at the same common mode voltage as the device under test.
- 5/ Compensation: for device types 03, 04, 05, and 06 only, equals 30 pF; for device type 07 only, equals 330 pF (optional).
- 6/ Device types 01, all case types, and device type 02, case outlines A, B, C, and D only.
- 7/ Device types 03 and 05 only.
- 8/ See figure 6. Noise test circuit.
- 9/ As required, if needed to prevent oscillation. Also, proper wiring procedures shall be followed to prevent oscillation. Loop response and settling time shall be consistent with the test rate such that any value has settled for at least five loop time constants before the value is measured.
- 10/ Adequate settling time shall be allowed such that each parameter has settled to within five percent of its final value.
- 11/ The nulling amplifier is an M38510/10101XXX. Saturation of the nulling amplifier is not allowed on test where the "E" value is measured.
- 12/ All resistors 0.1 percent tolerance except as noted (note 3).
- 13/ For device types 01, 02, 07, and 08:  $R_S = 20 \text{ k}\Omega$ . For device types 03 and 05:  $R_S = 100 \text{ k}\Omega$ .  
For device types 04 and 06:  $R_S = 5.0 \text{ M}\Omega$ .
- 14/ Device type 07 only, this capacitor = 1,000 pF maximum to prevent oscillations.
- 15/ Device type 07 only.
- 16/ To minimize thermal drift, the reference voltages for gain measurements (E3 and E4) shall be taken immediately prior to or after the reading corresponding to device gain (E24, E25, E26, E27, E30, E31, E32, and E33).  
The gain at  $R_L = 10 \text{ k}\Omega$  is essentially the gain at  $R_L = 2 \text{ k}\Omega$  is influenced by thermal gradients on the die resulting from power dissipation in the output stage. Hence, it is not linear and may not even be a true approximation of the gain between other than the specified operation points.
- 17/ Any oscillation greater than 300 mV in amplitude (pk - pk) shall be cause for device failure.
- 18/ Although switches are depicted as toggle switches, any switching mechanism may be used provided the switching action is achieved without adversely affecting the measurement.
- 19/ The load resistors (2,050  $\Omega$  and 11.1 k $\Omega$ ) yield effective load resistances of 2 k $\Omega$  and 10 k $\Omega$ , respectively.
- 20/ The equations take into account both the loop gain of 1,000 and the scale factor multiplier, so that the calculated value is in table III units. Therefore, use measured value / units in the equations, example E1 (volts).

FIGURE 3. Test circuit for static and dynamic tests- Continued.

MIL-M-38510/101J

DEVICE TYPES 01,02,03,04,05,06, AND 08



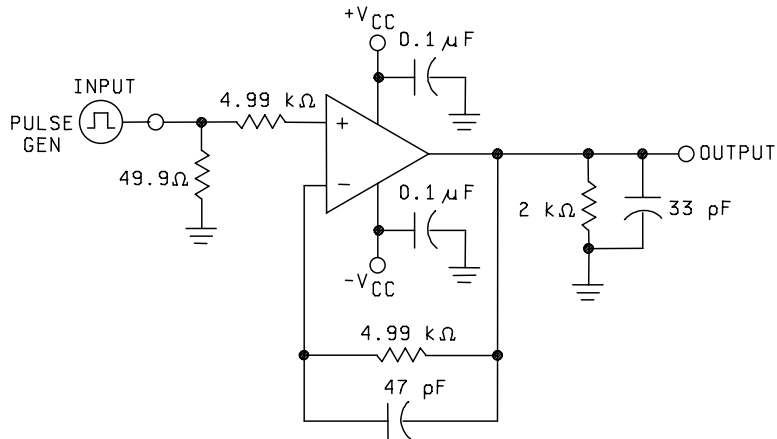
- PULSE GENERATOR:
1. RISE TIME  $\leq 100$  ns
  2. REPETITION RATE, 1 kHz (MAX)

See notes on page 29

Parameter	Pulse generator	Measure	Equation	Units
Rise time (tr) $A_V = 1$	+50 mV amplitude	$t$ ( $\mu$ s), see waveform 1	$t_r = t$	$\mu$ s
Overshoot (OS) $A_V = 1$	+50 mV amplitude	$\Delta V$ (mV), see waveform 1	$OS = (\Delta V / 50) \times 100$	%
Bandwidth (BW) $A_V = 1$	+50 mV amplitude	Calculate	$BW = 0.35 / t_r$ ( $\mu$ s)	MHz
Slew rate (+SR) $A_V = 1$	-5 V to +5 V step	$\Delta V_O$ (volts), $\Delta t$ ( $\mu$ s) see waveform 2	$+SR =  \Delta V_{O(+)} / \Delta t(+) $	V/ $\mu$ s
Slew rate (-SR) $A_V = 1$	+5 V to -5 V step	$\Delta V_O$ (volts), $\Delta t$ ( $\mu$ s) see waveform 3	$-SR =  \Delta V_{O(-)} / \Delta t(-) $	V/ $\mu$ s

FIGURE 4. Transient response test circuit.

DEVICE TYPE 07



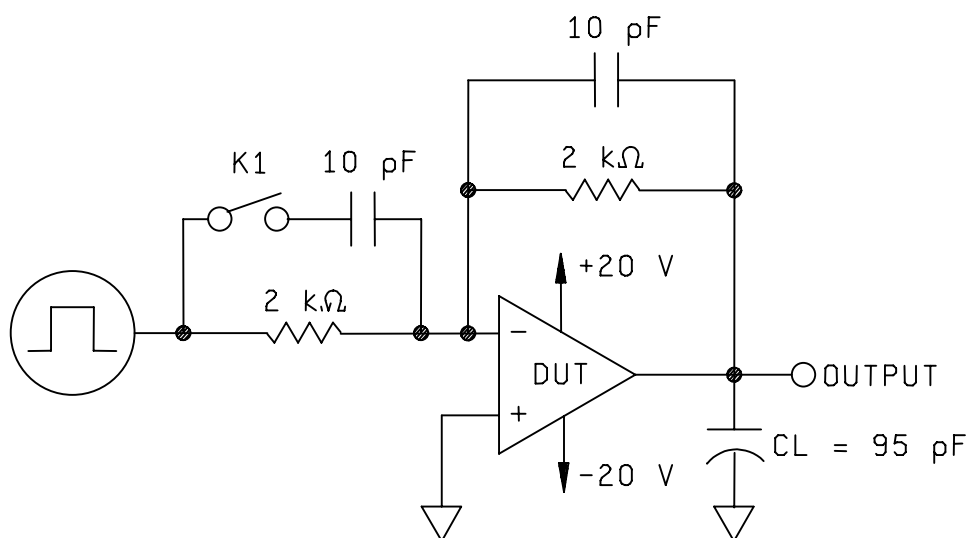
- PULSE GENERATOR:  
 1. RISE TIME  $\leq 10$  ns  
 2. REPETITION RATE, 1 kHz (MAX)

See notes on page 30

Parameter	Pulse generator	Measure	Equation	Units
Rise time ( $t_r$ )	+50 mV amplitude	$t$ (ns), see waveform 1	$t_r = t$	ns
Overshoot (OS)	+50 mV amplitude	$\Delta V$ (mV), see waveform 1	$OS = (\Delta V / 50) \times 100$	%
Bandwidth (BW)	+50 mV amplitude	Calculate	$BW = (0.35 \times 10^3) / t_r$ (ns)	MHz
Slew rate (+SR)	-5 V to +5 V step	$\Delta V_O$ (+) (volts), $\Delta t$ (+) (ns) see waveform 2	$+SR =  \Delta V_O(+)  / \Delta t(+)$ $\times 10^{-3}$	V/ $\mu$ s
Slew rate (-SR)	+5 V to -5 V step	$\Delta V_O$ (-) (volts), $\Delta t$ (-) (ns) see waveform 3	$-SR =  \Delta V_O(-)  / \Delta t(-)$ $\times 10^{-3}$	V/ $\mu$ s
Settling time $t_s(+)$ <u>5/</u>	-5 V to +5 V step	$t_s(+)$ , see waveform 2	$t_s(+)$ = $t_s(+)$	ns
Settling time $t_s(-)$ <u>5/</u>	+5 V to -5 V step	$t_s(-)$ , see waveform 3	$t_s(-)$ = $t_s(-)$	ns

FIGURE 4. Transient response test circuit - Continued.

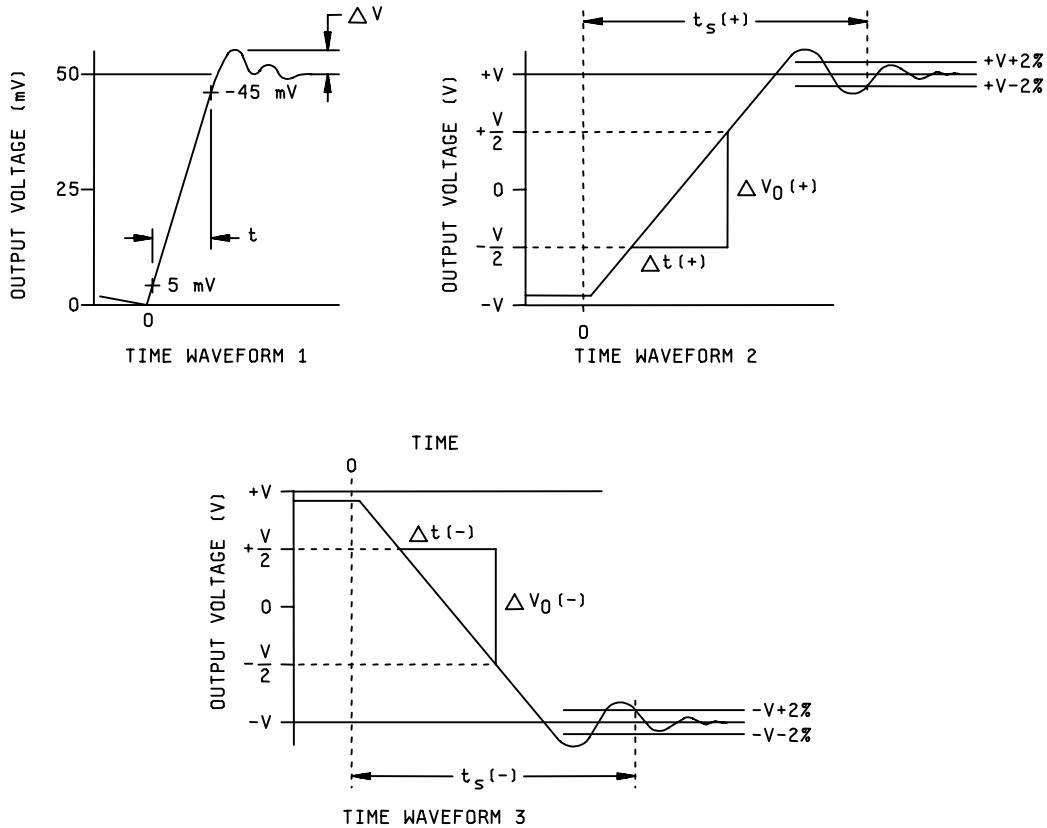
(Alternate) device type 07



## NOTES:

1. K1 is closed for small tests ( $T_r$  and P.O.) and is open for large signal tests ( $\pm$ slew rate,  $\pm T_s$ ).
2. Input signal is a -50 mV to 0 mV pulse train for small signal tests and -5 V to +5 V pulse train for large signal tests.
3.  $T_r$  of the input signal is < 10 ns for the small signal tests.

FIGURE 4. Transient response test circuit - Continued.



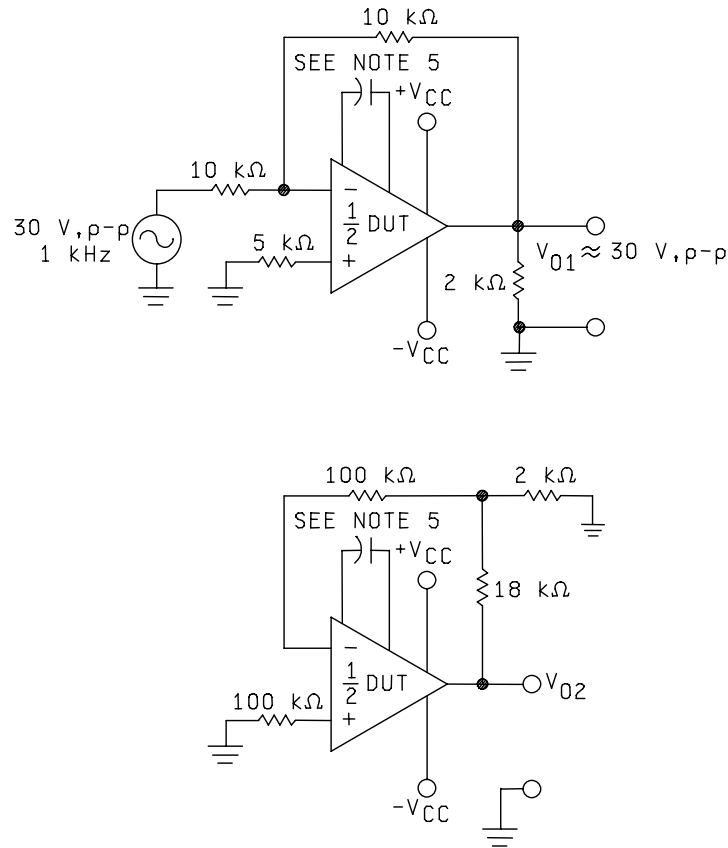
## NOTES:

1. Idle half of dual amplifier shall be connected during test of other half.
2. All resistor tolerances are 1 percent, capacitor tolerances are 10 percent and  $\pm V_{CC} = \pm 20 \text{ V}$ .
3. This compensation capacitor is used for device types 03, 04, 05, and 06.
4. For device types 01, 02, 03, 05, and 08,  $R_L = 2 \text{ k}\Omega$ ; for device types 04 and 06,  $R_L = 10 \text{ k}\Omega$ .
5. Settling time is the interval from the beginning of the output response to the point where the output remains within the error band, in this case  $\pm 2$  percent.
6.  $C_F = 10 \text{ pF} \pm 10$  percent includes stray capacitance.
7.  $R_1$  may be added to the circuit. When  $R_1$  is added, its value shall be  $10 \text{ k}\Omega$ . When using  $R_1$ , the unity gain will increase to 2. To accommodate this change in gain, the pulse generator input shall be halved.
8.  $C_1$  may be added to the circuit. When added, it shall be within the range of  $0 \text{ pF}$  to  $2 \text{ pF}$ .
9.  $C_L$  capacitance specified includes stray, jig, and probe capacitance.

FIGURE 4. Transient response test circuit - Continued.

MIL-M-38510/101J

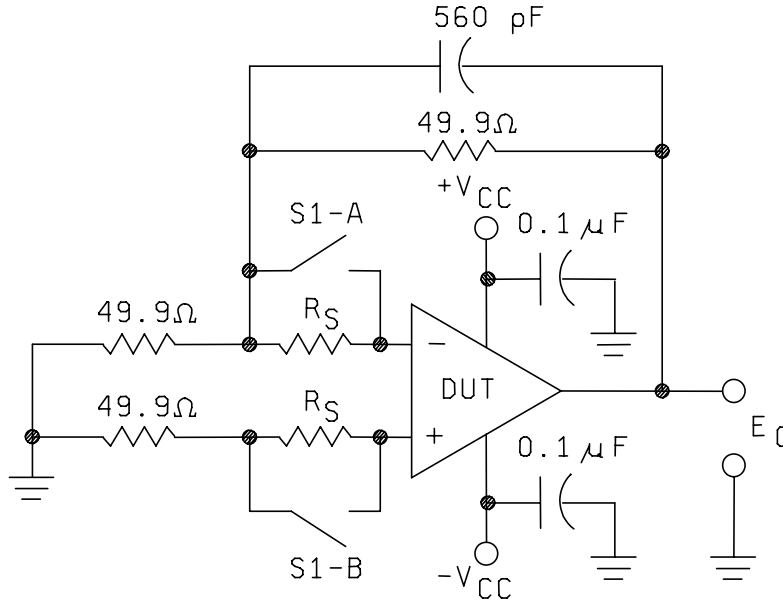
Device types 02, 05, 06, and 08 only.



NOTES:

1.  $\pm V_{CC} = 20 \text{ V}$ .
2. Measure:  $V_{02}$  (volts, p-p) at 1 kHz to accuracy of 0.1 mV or better.
3. Channel separation (dB) referred to input of second channel =  $20 \log [V_{01} / (0.1 \times V_{02})]$ .
4. All resistor tolerances  $\leq 1$  percent.
5. A 30 pF compensation capacitor is required for device types 05 and 06.

FIGURE 5. Test circuit for channel separation.



Noise (Referred to input)	Symbol	S1	Measure		Measured equation	Parameter units
			Value	Units		
Broadband	$N_1(\text{BB})$	Closed	$E_0$	mV rms	$E_0 / 1000$	$\mu\text{V rms}$
Popcorn	$N_1(\text{PC})$	Open	$E_0$	mV pk	$E_0 / 1000$	$\mu\text{V pk}$

NOTES:

1.  $R_S = 20 \text{ k}\Omega$  for device types 01, 02, 07, and 08;  $R_S = 100 \text{ k}\Omega$  for device types 03, 04, 05, and 06.
2.  $E_0$  is measured using an RMS voltmeter with a bandwidth of 10 Hz to 5 kHz and a peak detector simultaneously. Monitor the peak test for a minimum of 15 seconds. The loop bandwidth shall be at least 5 kHz.

FIGURE 6. Noise test circuit.

MIL-M-38510/101J

TABLE III. Group A inspection.

Subgroup	Symbol	MIL-STD -883 method	Test no.	Conditions  ±VCC = ±20 V dc, figure 3 unless otherwise specified	01, 02, 08 1/		03, 05 1/		04, 06 1/		07 1/		Unit	
					Limits Min	Max	Limits Min	Max	Limits Min	Max	Limits Min	Max		
1  TA = +25°C	V <sub>IO</sub>	4001	1	V <sub>CM</sub> = -15 V 2/	-3.0	+3.0	-2.0	+2.0	-0.5	+0.5	-4.0	+4.0	mV	
			2	V <sub>CM</sub> = +15 V 2/	"	"	"	"	"	"	"	"	"	
			3	V <sub>CM</sub> = 0 V	"	"	"	"	"	"	"	"	"	"
			4	±VCC = ±5 V, V <sub>CM</sub> = 0 V	"	"	"	"	"	"	"	"	"	"
	I <sub>IO</sub>			5	V <sub>CM</sub> = -15 V 2/	-30	+30	-10	+10	-0.2	+0.2	-40	+40	nA
				6	V <sub>CM</sub> = +15 V 2/	"	"	"	"	"	"	"	"	"
				7	V <sub>CM</sub> = 0 V	"	"	"	"	"	"	"	"	"
				8	±VCC = ±5 V, V <sub>CM</sub> = 0 V	"	"	"	"	"	"	"	"	"
	-I <sub>IB</sub>			9	V <sub>CM</sub> = -15 V 2/	-0.1	110	-0.1	75	-0.1	+2.0	-0.1	250	nA
				10	V <sub>CM</sub> = +15 V 2/	"	"	"	"	"	"	"	"	"
				11	V <sub>CM</sub> = 0 V	"	"	"	"	"	"	"	"	"
				12	±VCC = ±5 V, V <sub>CM</sub> = 0 V	"	"	"	"	"	"	"	"	"
	-I <sub>IB</sub>			13	V <sub>CM</sub> = -15 V 2/	-0.1	110	-0.1	75	-0.1	+2.0	-0.1	250	nA
				14	V <sub>CM</sub> = +15 V 2/	"	"	"	"	"	"	"	"	"
				15	V <sub>CM</sub> = 0 V	"	"	"	"	"	"	"	"	"
				16	±VCC = ±5 V, V <sub>CM</sub> = 0 V	"	"	"	"	"	"	"	"	"
	+PSRR		4003	17	+VCC = 10 V, -VCC = -20 V	-50	+50	-50	+50	-16	+16	-100	+100	μV/V
				18	+VCC = 20 V, -VCC = -10 V	-50	+50	-50	+50	-16	+16	-100	+100	μV/V
	CMR			19	V <sub>CM</sub> = +15 V	80		80		96	80		dB	
	V <sub>IO ADJ (+)</sub>			20	3/	+5		+4			+7		mV	
	V <sub>IO ADJ (-)</sub>			21	3/		-5	-4				-7	mV	



TABLE III. Group A inspection - Continued.

Subgroup	Symbol	MIL-STD -883 method	Test no.	Conditions	01.02.08 1/		03.05 1/		04.06 1/		07 1/		Unit				
					Limits		Limits		Limits		Limits						
					Min	Max	Min	Max	Min	Max	Min	Max					
1 TA = +25°C	IOS (+) 4/	3011	22	±VCC = ±20 V dc, figure 3 unless otherwise specified	-60		-60		-15		-65	mA					
	IOS (-) 4/				+60		+60		+15		+65	mA					
	ICC	4005	24	±VCC = ±15 V, t ≤ 25 ms		3.8		3.0		0.6		8	mA				
2 TA = +125°C	VIO	4001	25	VCM = -15 V 2/	-4.0	+4.0	-3.0	+3.0	-1.0	+1.0	-6.0	+6.0	mV				
					26	VCM = +15 V 2/	"	"	"	"	"	"	"	"	"		
							27	VCM = 0 V	"	"	"	"	"	"	"	"	"
									28	±VCC = ±5 V, VCM = 0 V	"	"	"	"	"	"	"
					29	ΔVIO / ΔT = [VIO (test 27) - VIO (test 3)] x 10	-15	+15	-15	+15	-5.0	+5.0	-50	+50		μV/°C	
	IIO		30	VCM = -15 V 2/	-30	+30	-10	+10	-0.4	+0.4	-80	+80	nA				
					31	VCM = +15 V 2/	"	"	"	"	"	"	"	"	"		
							32	VCM = 0 V	"	"	"	"	"	"	"	"	"
					33	±VCC = ±5 V, VCM = 0 V			"	"	"	"	"	"	"	"	"
	ΔIIO / ΔT		34	ΔIIO / ΔT = [IIO (test 32) - IIO (test 7)] x 10	-200	+200	-100	+100	-2.5	+2.5	-1,000	+1,000	pA/°C				
					35	VCM = -15 V 2/	-0.1	110	-0.1	75	-1.0	+2.0	-0.1	250	nA		
							36	VCM = +15 V 2/	"	"	"	"	"	"	"	"	"
					37	VCM = 0 V			"	"	"	"	"	"	"	"	"
	-IIB		38	±VCC = ±5 V, VCM = 0 V	"	"	"	"	"	"	"	"	"				
					39	VCM = -15 V 2/	-0.1	110	-0.1	75	-1.0	+2.0	-0.1	250	nA		
							40	VCM = +15 V 2/	"	"	"	"	"	"	"	"	"
					41	VCM = 0 V			"	"	"	"	"	"	"	"	"
42	±VCC = ±5 V, VCM = 0 V	"	"	"	"	"	"	"	"	"	"						

See footnotes at end of table III.

MIL-M-38510/101J

TABLE III. Group A inspection - Continued.

Subgroup	Symbol	MIL-STD method	Test no.	Conditions	01, 02 1/		03, 05 1/		04, 06 1/		07 1/		08 1/		Unit	
					Min	Max	Min	Max	Min	Max	Min	Max	Min	Max		
2 TA = +125°C	IOS (+) 4/	3011	43	$\pm V_{CC} = \pm 20$ V dc, figure 3 unless otherwise specified	-60		-60		-15		-65		-60		mA	
			44			+60			+15			+65		+60		mA
	ICC	4005	45	$\pm V_{CC} = \pm 15$ V, $t \leq 25$ ms		3.4		2.5		0.6				3.4	mA	
			46		$+V_{CC} = 10$ V, $-V_{CC} = -20$ V	-100	+100	-16	+16	-150	+150	-100	+100"	$\mu$ V/V		
	CMR	4003	47	$+V_{CC} = 20$ V, $-V_{CC} = -10$ V											dB	
			48		$V_{CM} = \pm 15$ V	80		96		80		80				dB
	VIO ADJ(+)	4001	49	$V_{CM} = \pm 15$ V		+5		+4				+7		+5	mV	
			50		$V_{CM} = 0$ V											
	3 TA = -55°C	VIO	4001	51	$V_{CM} = -15$ V 2/	-4.0	+4.0	-3.0	+3.0	-1.0	+1.0	-6.0	+6.0	-4.0	+4.0	mV
				52		$V_{CM} = +15$ V 2/										
$\Delta V_{IO} / \Delta T$		4001	53	$V_{CM} = 0$ V											$\mu$ V/°C	
			54		$\pm V_{CC} = \pm 5$ V, $V_{CM} = 0$ V	-15	+15	-18	+18	-5.0	+5.0	-50	+50	-20	+20	$\mu$ V/°C
IIO		4001	55	$\Delta I_{IO} / \Delta T = [I_{IO}(\text{test 3}) - I_{IO}(\text{test 53})] \times 12.5$	-70	+70	-20	+20	-0.4	+0.4	-80	+80	-70	+70	nA	
			56		$V_{CM} = -15$ V 2/											
$\Delta I_{IO} / \Delta T$		4001	57	$V_{CM} = +15$ V 2/												
			58		$V_{CM} = 0$ V											
$\Delta I_{IO} / \Delta T$	4001	59	$\pm V_{CC} = \pm 5$ V, $V_{CM} = 0$ V													
		60		$\Delta I_{IO} / \Delta T = [I_{IO}(\text{test 7}) - I_{IO}(\text{test 58})] \times 12.5$	-500	+500	-200	+200	-2.5	+2.5	-1,000	+1,000	-500	+500	pA/°C	

See footnotes at end of table III.

MIL-M-38510/101J

TABLE III. Group A inspection - Continued.

Subgroup	Symbol	MIL-STD -883 method	Test no.	Conditions  ±VCC = ±20 V dc, figure 3 unless otherwise specified	01, 02, 08 1/		03, 05 1/		04, 06 1/		07 1/		Unit		
					Limits Min	Limits Max	Limits Min	Limits Max	Limits Min	Limits Max	Limits Min	Limits Max			
3 TA = -55°C	+IB	4001	61	VCM = -15 V 2/ VCM = +15 V 2/ VCM = 0 V ±VCC = ±5 V, VCM = 0 V	-0.1	265	-0.1	100	-0.1	3.0	-0.1	400	nA		
			62		"	"	"	"	"	"	"	"	"		
			63		"	"	"	"	"	"	"	"	"	"	
			64		"	"	"	"	"	"	"	"	"	"	
	-IB	4001	65	VCM = -15 V 2/ VCM = +15 V 2/ VCM = 0 V	-0.1	265	-0.1	100	-0.1	3.0	-0.1	400	nA		
			66		"	"	"	"	"	"	"	"	"		
			67		"	"	"	"	"	"	"	"	"		
			68		"	"	"	"	"	"	"	"	"		
4 TA = +25°C	IOS (+) 4/	3011	69	±VCC = ±15 V, t ≤ 25 ms	-60		-60		-15		-65	mA			
	IOS (-) 4/														
	ICC	4005	71	±VCC = ±15 V 5/		4.2		3.5		0.8		9	mA		
	+PSRR				-100	+100	-100	+100	-16	+16	+150	+150	μV/V		
	-PSRR	4003	72	+VCC = 10 V, -VCC = -20 V	-100	+100	-100	+100	-16	+16	-150	+150	μV/V		
	CMR				-100	+100	-100	+100	-16	+16	-150	+150	μV/V		
	VIO ADJ(+)		74	VCM = ±15 V	80		80		96		80		dB		
	VIO ADJ(-)				+5		+4				+7			mV	
	+VOP	4004	77	RL = 10 kΩ	+16		+16		+16		+17		V		
	-VOP														
	+VOP				+15		+15		+15		+16		+16		"
	-VOP														"
			80	RL = 2 kΩ		-15		-15		-16		"			

See footnotes at end of table III.

TABLE III. Group A inspection - Continued.

Subgroup	Symbol	MIL-STD -883 method	Test no.	Conditions	01, 02, 08 1/		03, 05 1/		04, 06 1/		07 1/		Unit
					Min	Max	Min	Max	Min	Max	Min	Max	
4 T <sub>A</sub> = +25°C	+A/V <sub>S</sub>	4004	81	±VCC = ±20 V dc, figure 3 unless otherwise specified R <sub>L</sub> = 2 kΩ, V <sub>OUT</sub> = +15 V	50		50				50		V/mV
	-A/V <sub>S</sub>		82	R <sub>L</sub> = 2 kΩ, V <sub>OUT</sub> = -15 V	50		50				50		"
	+A/V <sub>S</sub>		83	R <sub>L</sub> = 10 kΩ, V <sub>OUT</sub> = +15 V	50		50		80		50		"
	-A/V <sub>S</sub>		84	R <sub>L</sub> = 10 kΩ, V <sub>OUT</sub> = -15 V	50		50		80		50		"
	A/V <sub>S</sub>		85	R <sub>L</sub> = 2 kΩ, ±VCC = ±5 V, V <sub>OUT</sub> = ±2 V	10		10				10		"
	A/V <sub>S</sub>		86	R <sub>L</sub> = 10 kΩ, ±VCC = ±5 V, V <sub>OUT</sub> = ±2 V	10		10		20		10		"
5 T <sub>A</sub> = +125°C	+V <sub>OP</sub>		87	R <sub>L</sub> = 10 kΩ	+16		+16		+16		+17		V
	-V <sub>OP</sub>		88	R <sub>L</sub> = 10 kΩ		-16		-16				-17	"
	+V <sub>OP</sub>		89	R <sub>L</sub> = 2 kΩ	+15		+15				+16		"
	-V <sub>OP</sub>		90	R <sub>L</sub> = 2 kΩ		-15		-15				-16	"
	+A/V <sub>S</sub>		91	R <sub>L</sub> = 2 kΩ, V <sub>OUT</sub> = +15 V	25		25				32		V/mV
	-A/V <sub>S</sub>		92	R <sub>L</sub> = 2 kΩ, V <sub>OUT</sub> = -15 V	25		25				32		"
6 T <sub>A</sub> = -55°C	+A/V <sub>S</sub>		93	R <sub>L</sub> = 10 kΩ, V <sub>OUT</sub> = +15 V	25		25		40		32		"
	-A/V <sub>S</sub>		94	R <sub>L</sub> = 10 kΩ, V <sub>OUT</sub> = -15 V	25		25		40		32		"
	A/V <sub>S</sub>		95	R <sub>L</sub> = 2 kΩ, ±VCC = ±5 V, V <sub>OUT</sub> = ±2 V	10		10				10		"
	A/V <sub>S</sub>		96	R <sub>L</sub> = 10 kΩ, ±VCC = ±5 V, V <sub>OUT</sub> = ±2 V	10		10		20		10		"
	+V <sub>OP</sub>		97	R <sub>L</sub> = 10 kΩ	+16		+16		+16		+17		V
	-V <sub>OP</sub>		98	R <sub>L</sub> = 10 kΩ		-16		-16		-16			-17
	+V <sub>OP</sub>		99	R <sub>L</sub> = 2 kΩ	+15		+15				+16		"
	-V <sub>OP</sub>		100	R <sub>L</sub> = 2 kΩ		-15		-15				-16	"

See footnotes at end of table III.

TABLE III. Group A inspection - Continued.

Subgroup	Symbol	MIL-STD -883 method	Test no.	Conditions	01, 02, 08 $\bar{I}$ /		03, 05 $\bar{I}$ /		04, 06 $\bar{I}$ /		07 $\bar{I}$ /		Unit	
					Limits Min	Limits Max	Limits Min	Limits Max	Limits Min	Limits Max	Limits Min	Limits Max		
6	+AVS		101	$\pm V_{CC} = \pm 20$ V dc, figure 3 unless otherwise specified	25		25				32		V/mV	
	-AVS		102		25		25				32		"	
	+AVS		103		25		25	40			32		"	
	-AVS		104		25		25	40			32		"	
	AVS		105		10		10				10		"	
	AVS		106		10		10	20			10		"	
7	TR(t <sub>r</sub> )		107	Figure 4		800				1,000	40		ns	
	TR(OS)		108	Figure 4		25				50	50		%	
	SR(+)		109	Figure 4, AV = 1, VIN = -5 V to +5 V	0.3			0.3		0.05		40		V/ $\mu$ s
	SR(-)		110	Figure 4, AV = 1, VIN = +5 V to -5 V	0.3			0.3		0.05		40		V/ $\mu$ s
	CS $\bar{I}$ /		111	Figure 5	80			80		80				dB
	N(BB)		112	BW = 5 kHz, figure 6				15			15		25	$\mu$ V rms
	N(PC)		113	BW = 5 kHz, figure 6				40			40		80	$\mu$ V pk
	TR(t <sub>r</sub> )		114	TA = +125°C, figure 4				800			1,000	40		ns
	TR(OS)		115	TA = +125°C, figure 4				25			50	50		%
	SR(+)		116	TA = +125°C, figure 4, AV = 1, VIN = -5 V to +5 V	0.3			0.3		0.05		30		V/ $\mu$ s
	SR(-)		117	TA = +125°C, figure 4, AV = 1, VIN = +5 V to -5 V	0.3			0.3		0.05		30		V/ $\mu$ s
8B	TR(t <sub>r</sub> )		118	TA = -55°C, figure 4		800				1,000	40		ns	
	TR(OS)		119	TA = -55°C, figure 4		25				50	50		%	
TA = -55°C	SR(+)	4002	120	TA = -55°C, figure 4, AV = 1, VIN = -5 V to +5 V	0.3		0.2		0.05		40		V/ $\mu$ s	
	SR(-)		121	TA = -55°C, figure 4, AV = 1, VIN = +5 V to -5 V	0.3		0.2		0.05		40		V/ $\mu$ s	

See footnotes at end of table III.

TABLE III. Group A inspection - Continued.

Subgroup	Symbol	MIL-STD -883 method	Test no.	Conditions  ±VCC = ±20 V dc, figure 3 unless otherwise specified	01, 02, 08 1/		03, 05 1/		04, 06 1/		07 1/		Unit
					Min	Max	Min	Max	Min	Max	Min	Max	
12	tS(+)	4002	122	TA = +25°C, figure 4								800	ns
	tS(-)												
13A	tS(+)	4002	124	TA = +125°C, figure 4								1,200	ns
	tS(-)												
13B	tS(+)	4002	126	TA = -55°C, figure 4								1,200	ns
	tS(-)												
	tS(-)		127	TA = -55°C, figure 4								1,200	ns

1/ For devices marked with the "Q" certification mark, the parameters listed herein may be guaranteed if not tested to the limits specified herein in accordance with the manufacturer's QM plan. Limits apply to both halves of dual devices (02, 05, 06, and 08) independently, and slew rate limit for device 08 is 0.4 V/μs at all temperatures (tests 109, 110, 116, 117, 120, 121).

2/ VCM is achieved by algebraically subtracting the common mode voltage from each supply and algebraically adding the common mode voltage to V (example, for VCM = -15 V, +VCC = +35 V, -VCC = -5 V, V = -15 V).

3/ VIO (ADJ) is not performed on device type 02, case 1 only, or on device types 04, 06, and 08 all case types.

4/ Due to the significant power dissipation and associated device heating, these tests shall always be the last tests performed in any given sequence, followed by operational verification (example, such tests as VOPP, AVS, TR, SR).

5/ Limit shown applied to single devices (01, 03, and 04) only. The maximum quiescent ICC for dual devices (02, 05, 06, and 08) is twice that shown for single devices.

6/ Tests 29, 34, 55, and 60 which require a read and record measurement plus a calculation, may be omitted except when subgroups 2 and 3 are being accomplished for group A sampling inspection and group C and D endpoint measurements.

Z/ Applies to device types 02, 05, and 06 only.

TABLE IV. Group C end point electrical parameters.(T<sub>A</sub> = +25°C, V<sub>CC</sub> = ±20 V, V<sub>CM</sub> = 0 V)

Table III test no.	Test	01, 02, 08				03, 05				Unit
		Limit		Delta		Limit		Delta		
		Min	Max	Min	Max	Min	Max	Min	Max	
3	V <sub>IO</sub>	-3.0	+3.0	-0.5	+0.5	-2.0	+2.0	-0.5	+0.5	mV
11	+I <sub>IB</sub>	+1.0	+110	-12	+12	+1.0	+75	-7.5	+7.5	nA
15	-I <sub>IB</sub>	+1.0	+110	-12	+12	+1.0	+75	-7.5	+7.5	nA

Table III test no.	Test	04, 06				07				Unit
		Limit		Delta		Limit		Delta		
		Min	Max	Min	Max	Min	Max	Min	Max	
3	V <sub>IO</sub>	-0.5	+0.5	-0.25	+0.25	-4.0	+4.0	-1.0	+1.0	mV
11	+I <sub>IB</sub>	-0.1	+2.0	-0.5	+0.5	+1.0	250	-25	+25	nA
15	-I <sub>IB</sub>	-0.1	+2.0	-0.5	+0.5	+1.0	250	-25	+25	nA

4.3 Qualification inspection. Qualification inspection shall be in accordance with MIL-PRF-38535.

4.4 Technology Conformance inspection (TCI). Technology conformance inspection shall be in accordance with MIL-PRF-38535 and herein for groups A, B, C, and inspections (see 4.4.1 through 4.4.4).

4.4.1 Group A inspection. Group A inspection shall be in accordance with table III of MIL-PRF-38535 and as follows:

- a. Subgroups 9, 10, and 11 shall be omitted.
- b. Tests shall be as specified in table II herein.
- c. Subgroups 12 and 13 (for device type 07 only) shall be added to table III of MIL-PRF-38535 for class S only. The class S sample size series for subgroup 12 shall be 5 and for subgroup 13 the class S sample size series shall be 7.

4.4.2 Group B inspection. Group B inspection shall be in accordance with table II of MIL-PRF-38535.

4.4.3 Group C inspection. Group C inspection shall be in accordance with table IV of MIL-PRF-38535 and as follows:

- a. End point electrical parameters shall be as specified in table II herein.
- b. Subgroups shall be added to group C inspection and shall consist of subgroups 8, 12, and 13 respectively as specified in table III herein. The sample size series for subgroup 12 shall be 5, and subgroup 13 shall be 7 for class B devices (see MIL-PRF-38535, Appendix D).
- c. The steady-state life test duration, test condition, and test temperature, or approved alternatives shall be as specified in the device manufacturer's QM plan in accordance with MIL-PRF-38535. The burn-in test circuit shall be maintained under document control by the device manufacturer's Technology Review Board (TRB) in accordance with MIL-PRF-38535 and shall be made available to the acquiring or preparing activity upon request. The test circuit shall specify the inputs, outputs, biases, and power dissipation, as applicable, in accordance with the intent specified in test method 1005 of MIL-STD-883.

4.4.4 Group D inspection. Group D inspection shall be in accordance with table V of MIL-PRF-38535. End point electrical parameters shall be as specified in table II herein.

4.5 Methods of inspection. Methods of inspection shall be specified and as follows.

4.5.1 Voltage and current. All voltage values given, except the input offset voltage (or differential voltage) are referenced to the external zero reference level of the supply voltage. Currents given are conventional current and positive when flowing into the referenced terminal.

4.5.2 Burn-in and life test cooldown procedure. When devices are measured at +25°C following application of the steady state life or burn-in condition, they shall be cooled to within 10°C of their power stable condition at room temperature prior to removal of the bias.



## 5. PACKAGING

5.1 Packaging requirements. For acquisition purposes, the packaging requirements shall be as specified in the contract or order (see 6.2). When actual packaging of materiel is to be performed by DoD personnel, these personnel need to contact the responsible packaging activity to ascertain requisite packaging requirements. Packaging requirements are maintained by the Inventory Control Point's packaging activity within the Military Department of Defense Agency, or within the Military Department's System Command. Packaging data retrieval is available from the managing Military Department's or Defense Agency's automated packaging files, CD-ROM products, or by contacting the responsible packaging activity.

## 6. NOTES

(This section contains information of a general or explanatory nature which may be helpful, but is not mandatory.)

6.1 Intended use. Microcircuits conforming to this specification are intended for original equipment design applications and logistic support of existing equipment.

6.2 Acquisition requirements. Acquisition documents should specify the following:

- a. Title, number, and date of the specification.
- b. Complete part number (see 1.2).
- c. Requirements for delivery of one copy of the quality conformance inspection data pertinent to the device inspection lot to be supplied with each shipment by the device manufacturer, if applicable.
- d. Requirements for certificate of compliance, if applicable.
- e. Requirements for notification of change of product or process to acquiring activity in addition to notification of the qualifying activity, if applicable.
- f. Requirements for failure analysis (including required test condition of MIL-STD-883, method 5003), corrective action and reporting of results, if applicable.
- g. Requirements for product assurance options.
- h. Requirements for special carriers, lead lengths, or lead forming, if applicable. These requirements shall not affect the part number. Unless otherwise specified, these requirements will not apply to direct purchase by or direct shipment to the Government.
- j. Requirements for "JAN" marking.

6.3 Superseding information. The requirements of MIL-M-38510 have been superseded to take advantage of the available Qualified Manufacturer Listing (QML) system provided by MIL-PRF-38535. Previous references to MIL-M-38510 in this document have been replaced by appropriate references to MIL-PRF-38535. All technical requirements now consist of this specification and MIL-PRF-38535. The MIL-M-38510 specification sheet number and PIN have been retained to avoid adversely impacting existing government logistics systems and contractor's parts lists.

6.4 Qualification. With respect to products requiring qualification, awards will be made only for products which are, at the time of award of contract, qualified for inclusion in Qualified Manufacturers List QML-38535 whether or not such products have actually been so listed by that date. The attention of the contractors is called to these requirements, and manufacturers are urged to arrange to have the products that they propose to offer to the Federal Government tested for qualification in order that they may be eligible to be awarded contracts or purchase orders for the products covered by this specification. Information pertaining to qualification of products may be obtained from DSCC-VQ, 3990 E. Broad Street, Columbus, Ohio 43123-1199.

6.5 Abbreviations, symbols, and definitions. The abbreviations, symbols, and definitions used herein are defined in MIL-PRF-38535 and MIL-HDBK-1331.

6.6 Logistic support. Lead materials and finishes (see 3.4) are interchangeable. Unless otherwise specified, microcircuits acquired to Government logistic support will be acquired to device class B (see 1.2.2), and lead material and finish A (see 3.4). Longer length leads and lead forming shall not affect the part number.

6.7 Substitutability. The cross-reference information below is presented for the convenience of users. Microcircuits covered by this specification will functionally replace the listed generic-industry type. Generic-industry microcircuit types may not have equivalent operational performance characteristics across military temperature ranges or reliability factors equivalent to MIL-M-38510 device types and may have slight physical variations in relation to case size. The presence of this information shall not be deemed as permitting substitution of generic-industry types for MIL-M-38510 types or as a waiver of any of the provisions of MIL-PRF-38535.

<u>Military device type</u>	<u>Generic-industry type</u>
01	741A
02	747A (with common +V <sub>CC</sub> )
03	LM101A
04	LM108A
05	LH2101A
06	LH2108A
07	LM118
08	1558

6.7 Changes from previous issue. Asterisks are not used in this revision to identify changes with respect to the previous issue, due to the extensiveness of the changes.

Custodians:  
 Army - CR  
 Navy - EC  
 Air Force - 11  
 NASA - NA  
 DLA - CC

Preparing activity:  
 DLA - CC  
  
 Project 5962-1950

Review activities:  
 Army – HD, MI, SM  
 Navy - AS, CG, MC, SH, TD  
 Air Force – 03, 19, 99

## STANDARDIZATION DOCUMENT IMPROVEMENT PROPOSAL

### INSTRUCTIONS

1. The preparing activity must complete blocks 1, 2, 3, and 8. In block 1, both the document number and revision letter should be given.
2. The submitter of this form must complete blocks 4, 5, 6, and 7, and send to preparing activity.
3. The preparing activity must provide a reply within 30 days from receipt of the form.

NOTE: This form may not be used to request copies of documents, nor to request waivers, or clarification of requirements on current contracts. Comments submitted on this form do not constitute or imply authorization to waive any portion of the referenced document(s) or to amend contractual requirements.

<b>I RECOMMEND A CHANGE:</b>	1. DOCUMENT NUMBER MIL-M-38510/101J	2. DOCUMENT DATE (YYYYMMDD) 2003/02/07
3. DOCUMENT TITLE MICROCIRCUITS, LINEAR, OPERATIONAL AMPLIFIERS, MONOLITHIC SILICON, PART NUMBER M38510/10101 THROUGH M38510/10108		
4. NATURE OF CHANGE <i>(Identify paragraph number and include proposed rewrite, if possible. Attach extra sheets as needed.)</i>		
5. REASON FOR RECOMMENDATION		
6. SUBMITTER		
a. NAME <i>(Last, First Middle Initial)</i>	b. ORGANIZATION	
c. ADDRESS <i>(Include Zip Code)</i>	d. TELEPHONE <i>(Include Area Code)</i> (1) Commercial (2) DSN <i>(If applicable)</i>	7. DATE SUBMITTED (YYYYMMDD)
8. PREPARING ACTIVITY		
a. NAME Rick Officer	b. TELEPHONE <i>(Include Area Code)</i> (1) Commercial 614-692-0518 (2) DSN 850-0518	
c. ADDRESS <i>(Include Zip Code)</i> DSCC-VAS 3990 East Broad Street Columbus, Ohio 43216-5000	IF YOU DO NOT RECEIVE A REPLY WITHIN 45 DAYS, CONTACT: Defense Standardization Program Office (DLSC-LM) 8725 John J. Kingman Road, Suite 2533 Fort Belvoir, Virginia 22060-6221 Telephone (703)767-6888 DSN 427-6888	