

PLEASE CHECK WWW.MOLEX.COM FOR LATEST PART INFORMATION

Part Number: [0015445112](#)
Status: **Active**
Overview: [cgrid_sl_products](#)
Description: 2.54mm (.100") Pitch C-Grid® Receptacle, Through Hole, Dual Row, High Profile, Vertical, High-Temperature, 12 Circuits

Documents:

[3D Model](#) [Product Specification PS-70181 \(PDF\)](#)
[Drawing \(PDF\)](#) [RoHS Certificate of Compliance \(PDF\)](#)

Agency Certification

CSA LR19980
 UL E29179

General

Product Family PCB Receptacles
 Series [71850](#)
 Application Board-to-Board
 Overview [cgrid_sl_products](#)
 Product Name C-Grid®

Physical

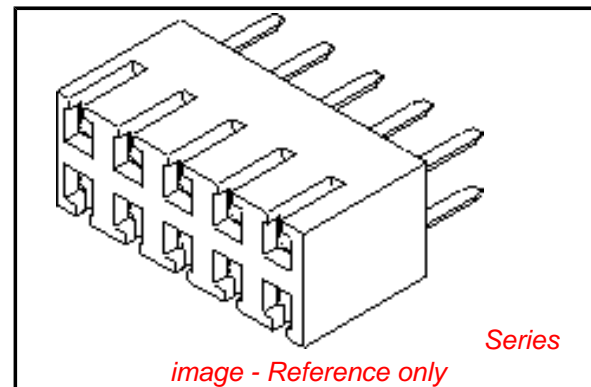
Circuits (Loaded) 12
 Color - Resin Black
 Durability (mating cycles max) 50
 Flammability 94V-0
 Glow-Wire Compliant No
 Material - Metal Phosphor Bronze
 Material - Plating Mating Gold
 Material - Plating Termination Tin
 Material - Resin High Temperature Thermoplastic
 Number of Rows 2
 Orientation Vertical
 PC Tail Length (in) 0.120 In
 PC Tail Length (mm) 3.05 mm
 PCB Locator No
 PCB Retention None
 PCB Thickness Recommended (in) 0.062 In
 PCB Thickness Recommended (mm) 1.60 mm
 Packaging Type Tray
 Pitch - Mating Interface (in) 0.100 In
 Pitch - Mating Interface (mm) 2.54 mm
 Plating min: Mating (µin) 30
 Plating min: Mating (µm) 0.75
 Plating min: Termination (µin) 75
 Plating min: Termination (µm) 1.875
 Polarized to PCB No
 Temperature Range - Operating -40°C to +105°C
 Termination Interface: Style Through Hole

Electrical

Current - Maximum per Contact 2.5A
 Voltage - Maximum 250V

Solder Process Data

Lead-free Process Capability SMC & Wave Capable (TH only)
 Process Temperature max. C 260



EU RoHS

ELV and RoHS Compliant
REACH SVHC Contains SVHC: No
Halogen-Free Status

China RoHS



Need more information on product environmental compliance?

Email productcompliance@molex.com
 For a multiple part number RoHS Certificate of Compliance, [click here](#)

Please visit the [Contact Us](#) section for any non-product compliance questions.

Search Parts in this Series

[71850Series](#)

Mates With

[8624](#) , [70203](#) , [70246](#) Straight Header, [70247](#) Right Angle Header, [70287](#) , [70289](#) , [70227](#) , [70567](#) , [70280](#) , [70524](#) , [70260](#) , [8723](#) , [70568](#) , [8724](#) , [71764](#) , [70229](#) , [70216](#) , [71308](#)

Material Info

Old Part Number

71850-0197

Reference - Drawing Numbers

Packaging Specification

PK-70873-0660

Product Specification

PS-70181

Sales Drawing

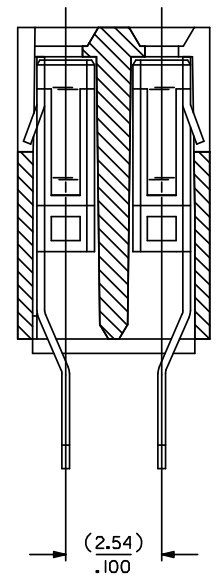
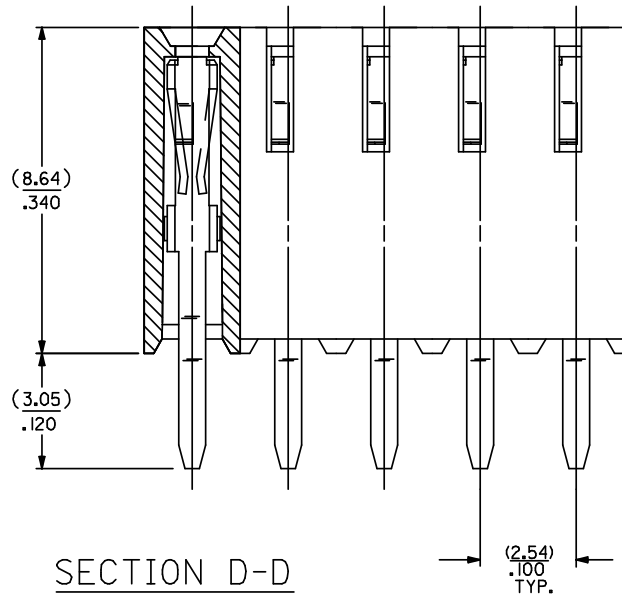
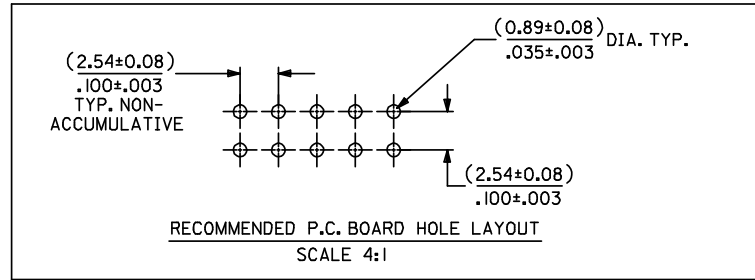
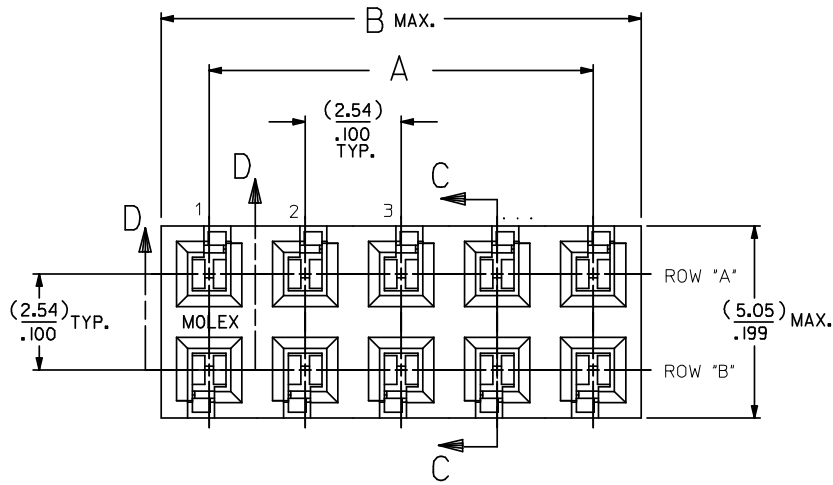
SDA-71850-0***

This document was generated on 05/31/2010

PLEASE CHECK WWW.MOLEX.COM FOR LATEST PART INFORMATION

NOTES:

1. HOUSING MATERIAL: GLASS FILLED LIQUID CRYSTAL POLYMER, UL 94V-0, COLOR: BLACK. TERMINAL MATERIAL: PHOSPHOR BRONZE
2. FINISHES: SEE CHART SHEET 2.
3. REFER TO PRODUCT SPECIFICATION PS-70181.
4. PACKAGING IN TRAYS PER PK-70873-0660.
5. SEE SHEET 2 FOR CIRCUIT SIZES AND OVERALL DIMENSIONS.
6. RECOMMENDED PCB THICKNESS (1.37-1.80)/.054-.071.
7. PART COMPLIES WITH CLASS C REQUIREMENTS OF COSMETIC SPECIFICATION PS-45499-002.



SECTION C-C

| REMOVE 71850-0232 EC NO: UCP2009-0115 DRAWING: GVERILL 2008/07/22 CHKD: HKIPPER 2008/07/25 APPR: FSM LTH 2008/07/28 | QUALITY SYMBOLS | GENERAL TOLERANCES (UNLESS SPECIFIED) | DIMENSION STYLE | SCALE | DESIGN UNITS | THIRD ANGLE PROJECTION | | | | | | | | | | | | | | | |
|---|--|---|---|---|--------------|------------------------|--------|--------|----------|--------|--------|----------|--------|--------|---------|--------|--------|-------|--|------|--|
| | $\nabla=0$ $\nabla=0$ | <table border="1"> <tr> <th></th> <th>mm</th> <th>INCH</th> </tr> <tr> <td>4 PLACES</td> <td>± .---</td> <td>± .---</td> </tr> <tr> <td>3 PLACES</td> <td>± .---</td> <td>± .005</td> </tr> <tr> <td>2 PLACES</td> <td>± 0.13</td> <td>± .010</td> </tr> <tr> <td>1 PLACE</td> <td>± 0.25</td> <td>± .---</td> </tr> </table> | | mm | INCH | 4 PLACES | ± .--- | ± .--- | 3 PLACES | ± .--- | ± .005 | 2 PLACES | ± 0.13 | ± .010 | 1 PLACE | ± 0.25 | ± .--- | MM/IN | | INCH | |
| | | mm | INCH | | | | | | | | | | | | | | | | | | |
| | 4 PLACES | ± .--- | ± .--- | | | | | | | | | | | | | | | | | | |
| 3 PLACES | ± .--- | ± .005 | | | | | | | | | | | | | | | | | | | |
| 2 PLACES | ± 0.13 | ± .010 | | | | | | | | | | | | | | | | | | | |
| 1 PLACE | ± 0.25 | ± .--- | | | | | | | | | | | | | | | | | | | |
| DESCRIPTION | APPROVED BY | DATE | TITLE | MOLEX INCORPORATED SDA-71850-0*** SHEET NO. 1 OF 2 | | | | | | | | | | | | | | | | | |
| REV | WAZ | 1988/02/29 | SALES VERTICAL MOUNT DUAL ROW HIGH TEMP .100 X .100 PC GRID | | | | | | | | | | | | | | | | | | |
| E2 | DRAFT WHERE APPLICABLE MUST REMAIN WITHIN DIMENSIONS | | SEE TABLE | THIS DRAWING CONTAINS INFORMATION THAT IS PROPRIETARY TO MOLEX INCORPORATED AND SHOULD NOT BE USED WITHOUT WRITTEN PERMISSION | | | | | | | | | | | | | | | | | |

| J | CKT. SIZE | | TERMINAL: 70172-0004 PLATING: TIN | | | TERMINAL: 70172-0006 PLATING: 15 GOLD | | | TERMINAL: 70172-0008 PLATING: 30 GOLD | | | DIM. "A" | | DIM. "B" | |
|---|-----------|-------|--------------------------------------|--------------|-------------------------------|--|--------------|-------------------------------|--|--------------|-------------------------------|----------|-------|----------|-------|
| | PER ROW | TOTAL | EDP NO | ENG NO | RELEASED FOR MANUFACTURING | EDP NO | ENG NO | RELEASED FOR MANUFACTURING | EDP NO | ENG NO | RELEASED FOR MANUFACTURING | MM | INCH | MM | INCH |
| | | | | | | | | | | | | MM | INCH | MM | INCH |
| | 2 | 4 | 15-44-6804 | A-71850-0065 | | 15-44-5804 | A-71850-0129 | | 15-44-5104 | A-71850-0193 | | 2,54 | .100 | 5,05 | .199 |
| | 3 | 6 | 15-44-6806 | A-71850-0066 | | 15-44-5806 | A-71850-0130 | | 15-44-5106 | A-71850-0194 | | 5,08 | .200 | 7,59 | .299 |
| | 4 | 8 | 15-44-6808 | A-71850-0067 | | 15-44-5808 | A-71850-0131 | | 15-44-5108 | A-71850-0195 | | 7,62 | .300 | 10,13 | .399 |
| | 5 | 10 | 15-44-6810 | A-71850-0068 | | 15-44-5810 | A-71850-0132 | | 15-44-5110 | A-71850-0196 | | 10,16 | .400 | 12,67 | .499 |
| I | 6 | 12 | 15-44-6812 | A-71850-0069 | | 15-44-5812 | A-71850-0133 | | 15-44-5112 | A-71850-0197 | | 12,70 | .500 | 15,21 | .599 |
| | 7 | 14 | 15-44-6814 | A-71850-0070 | | 15-44-5814 | A-71850-0134 | | 15-44-5114 | A-71850-0198 | | 15,24 | .600 | 17,75 | .699 |
| | 8 | 16 | 15-44-6816 | A-71850-0071 | | 15-44-5816 | A-71850-0135 | | 15-44-5116 | A-71850-0199 | | 17,78 | .700 | 20,29 | .799 |
| | 9 | 18 | 15-44-6818 | A-71850-0072 | | 15-44-5818 | A-71850-0136 | | 15-44-5118 | A-71850-0200 | | 20,32 | .800 | 22,83 | .899 |
| | 10 | 20 | 15-44-6820 | A-71850-0073 | | 15-44-5820 | A-71850-0137 | | 15-44-5120 | A-71850-0201 | | 22,86 | .900 | 25,37 | .999 |
| | 11 | 22 | 15-44-6822 | A-71850-0074 | | 15-44-5822 | A-71850-0138 | | 15-44-5122 | A-71850-0202 | | 25,40 | 1,000 | 27,91 | 1,099 |
| H | 12 | 24 | 15-44-6824 | A-71850-0075 | | 15-44-5824 | A-71850-0139 | | 15-44-5124 | A-71850-0203 | | 27,94 | 1,100 | 30,45 | 1,199 |
| | 13 | 26 | 15-44-6826 | A-71850-0076 | | 15-44-5826 | A-71850-0140 | | 15-44-5126 | A-71850-0204 | | 30,48 | 1,200 | 32,99 | 1,299 |
| | 14 | 28 | 15-44-6828 | A-71850-0077 | | 15-44-5828 | A-71850-0141 | | 15-44-5128 | A-71850-0205 | | 33,02 | 1,300 | 35,53 | 1,399 |
| | 15 | 30 | 15-44-6830 | A-71850-0078 | | 15-44-5830 | A-71850-0142 | | 15-44-5130 | A-71850-0206 | | 35,56 | 1,400 | 38,07 | 1,499 |
| | 16 | 32 | 15-44-6832 | A-71850-0079 | | 15-44-5832 | A-71850-0143 | | 15-44-5132 | A-71850-0207 | | 38,10 | 1,500 | 40,61 | 1,599 |
| | 17 | 34 | 15-44-6834 | A-71850-0080 | | 15-44-5834 | A-71850-0144 | | 15-44-5134 | A-71850-0208 | | 40,64 | 1,600 | 43,15 | 1,699 |
| G | 18 | 36 | 15-44-6836 | A-71850-0081 | | 15-44-5836 | A-71850-0145 | | 15-44-5136 | A-71850-0209 | | 43,18 | 1,700 | 45,69 | 1,799 |
| | 19 | 38 | 15-44-6838 | A-71850-0082 | | 15-44-5838 | A-71850-0146 | | 15-44-5138 | A-71850-0210 | | 45,72 | 1,800 | 48,23 | 1,899 |
| | 20 | 40 | 15-44-6840 | A-71850-0083 | | 15-44-5840 | A-71850-0147 | | 15-44-5140 | A-71850-0211 | | 48,26 | 1,900 | 50,77 | 1,999 |
| | 21 | 42 | 15-44-6842 | A-71850-0084 | | 15-44-5842 | A-71850-0148 | | 15-44-5142 | A-71850-0212 | | 50,80 | 2,000 | 53,31 | 2,099 |
| | 22 | 44 | 15-44-6844 | A-71850-0085 | | 15-44-5844 | A-71850-0149 | | 15-44-5144 | A-71850-0213 | | 53,34 | 2,100 | 55,85 | 2,199 |
| | 23 | 46 | 15-44-6846 | A-71850-0086 | | 15-44-5846 | A-71850-0150 | | 15-44-5146 | A-71850-0214 | | 55,88 | 2,200 | 58,39 | 2,299 |
| | 24 | 48 | 15-44-6848 | A-71850-0087 | | 15-44-5848 | A-71850-0151 | | 15-44-5148 | A-71850-0215 | | 58,42 | 2,300 | 60,93 | 2,399 |
| F | 25 | 50 | 15-44-6850 | A-71850-0088 | | 15-44-5850 | A-71850-0152 | | 15-44-5150 | A-71850-0216 | | 60,96 | 2,400 | 63,47 | 2,499 |
| | 26 | 52 | 15-44-6852 | A-71850-0089 | | 15-44-5852 | A-71850-0153 | | 15-44-5152 | A-71850-0217 | | 63,50 | 2,500 | 66,01 | 2,599 |
| | 27 | 54 | 15-44-6854 | A-71850-0090 | | 15-44-5854 | A-71850-0154 | | 15-44-5154 | A-71850-0218 | | 66,04 | 2,600 | 68,55 | 2,699 |
| | 28 | 56 | 15-44-6856 | A-71850-0091 | | 15-44-5856 | A-71850-0155 | | 15-44-5156 | A-71850-0219 | | 68,58 | 2,700 | 71,09 | 2,799 |
| | 29 | 58 | 15-44-6858 | A-71850-0092 | | 15-44-5858 | A-71850-0156 | | 15-44-5158 | A-71850-0220 | | 71,12 | 2,800 | 73,63 | 2,899 |
| | 30 | 60 | 15-44-6860 | A-71850-0093 | | 15-44-5860 | A-71850-0157 | | 15-44-5160 | A-71850-0221 | | 73,66 | 2,900 | 76,17 | 2,999 |
| E | 31 | 62 | 15-44-6862 | A-71850-0094 | | 15-44-5862 | A-71850-0158 | | 15-44-5162 | A-71850-0222 | | 76,20 | 3,000 | 78,71 | 3,099 |
| | 32 | 64 | 15-44-6864 | A-71850-0095 | | 15-44-5864 | A-71850-0159 | | 15-44-5164 | A-71850-0223 | | 78,74 | 3,100 | 81,25 | 3,199 |
| | 33 | 66 | 15-44-6866 | A-71850-0096 | | 15-44-5866 | A-71850-0160 | | 15-44-5166 | A-71850-0224 | | 81,28 | 3,200 | 83,79 | 3,299 |
| | 34 | 68 | 15-44-6868 | A-71850-0097 | | 15-44-5868 | A-71850-0161 | | 15-44-5168 | A-71850-0225 | | 83,82 | 3,300 | 86,33 | 3,399 |
| | 35 | 70 | 15-44-6870 | A-71850-0098 | | 15-44-5870 | A-71850-0162 | | 15-44-5170 | A-71850-0226 | | 86,36 | 3,400 | 88,87 | 3,499 |
| | 36 | 72 | 15-44-6872 | A-71850-0099 | | 15-44-5872 | A-71850-0163 | | 15-44-5172 | A-71850-0227 | | 88,90 | 3,500 | 91,41 | 3,599 |
| | 37 | 74 | 15-44-6874 | A-71850-0100 | | 15-44-5874 | A-71850-0164 | | 15-44-5174 | A-71850-0228 | | 91,44 | 3,600 | 93,95 | 3,699 |
| D | 38 | 76 | 15-44-6876 | A-71850-0101 | | 15-44-5876 | A-71850-0165 | | 15-44-5176 | A-71850-0229 | | 93,98 | 3,700 | 96,49 | 3,799 |
| | 39 | 78 | 15-44-6878 | A-71850-0102 | | 15-44-5878 | A-71850-0166 | | 15-44-5178 | A-71850-0230 | | 96,52 | 3,800 | 99,03 | 3,899 |
| | 40 | 80 | 15-44-6880 | A-71850-0103 | | 15-44-5880 | A-71850-0167 | | 15-44-5180 | A-71850-0231 | | 99,06 | 3,900 | 101,57 | 3,999 |

PLATING PER ES-88-****
 TIN - (3.81 MICROMETERS)/150 MICROINCHES MINIMUM TIN OVERALL OVER NICKEL UNDERPLATE OVERALL.
 15 GOLD - (0.38 MICROMETERS)/15 MICROINCHES MINIMUM GOLD PLATE IN SELECT AREA, (1.90 MICROMETERS)/75 MICROINCHES MINIMUM TIN IN SELECT AREA OVER NICKEL UNDERPLATE OVERALL.
 30 GOLD - (0.76 MICROMETERS)/30 MICROINCHES MINIMUM GOLD PLATE IN SELECT AREA, (1.90 MICROMETERS)/75 MICROINCHES MINIMUM TIN IN SELECT AREA OVER NICKEL UNDERPLATE OVERALL.

| | | | | | | | | | | |
|---|--|--|--|---|--|----------------|--------------|------------------------|--|--|
| REMOVE 71850-0232 EC NO: UCP2009-0115 DRWINGVERILL 2008/07/22 CHKD:HKJ/PPER 2008/07/25 APPR:FSM/LTH 2008/07/28 REV: E2 | DESCRIPTION QUALITY SYMBOLS ▽=0 ▽=0 | GENERAL TOLERANCES (UNLESS SPECIFIED) | | DIMENSION STYLE | | SCALE | DESIGN UNITS | THIRD ANGLE PROJECTION | | |
| | | | | MM/IN | | 1:1 | INCH | | | |
| | | | | DRAWN BY DATE | | TITLE | | | | |
| | | | | CHECKED BY DATE | | | | | | |
| | | APPROVED BY DATE | | MATERIAL NO. | | DOCUMENT NO. | | SHEET NO. | | |
| | | ANGULAR ±1/2° | | SEE TABLE | | SDA-71850-0*** | | 2 OF 2 | | |
| | | DRAFT WHERE APPLICABLE MUST REMAIN WITHIN DIMENSIONS | | THIS DRAWING CONTAINS INFORMATION THAT IS PROPRIETARY TO MOLEX INCORPORATED AND SHOULD NOT BE USED WITHOUT WRITTEN PERMISSION | | | | | | |