

PLEASE CHECK WWW.MOLEX.COM FOR LATEST PART INFORMATION

Part Number: [0985991004](#)
Status: **Active**
Description: MOX Right Angle Airbag Header Assembly, 64 Circuits, Gold Over Nickel

Documents:

[Drawing \(PDF\)](#) [RoHS Certificate of Compliance \(PDF\)](#)

General

Product Family	PCB Headers
Series	98599
Application	Wire-to-Board
Product Name	MOX

Physical

Breakaway	No
Circuits (Loaded)	64
Circuits (maximum)	64
Color - Resin	Black
Durability (mating cycles max)	20
First Mate / Last Break	No
Glow-Wire Compliant	No
Guide to Mating Part	No
Keying to Mating Part	None
Lock to Mating Part	None
Material - Metal	Phosphor Bronze
Material - Plating Mating	Gold over Nickel
Material - Resin	Polyester Alloy
Number of Rows	2
Orientation	Right Angle
PC Tail Length (in)	0.122 In
PC Tail Length (mm)	3.10 mm
PCB Locator	Yes
PCB Thickness Recommended (in)	0.063 In
PCB Thickness Recommended (mm)	1.60 mm
Packaging Type	Tray
Pitch - Mating Interface (in)	0.100 In
Pitch - Mating Interface (mm)	2.54 mm
Polarized to Mating Part	Yes
Polarized to PCB	Yes
Surface Mount Compatible (SMC)	Yes
Temperature Range - Operating	-40°C to +85°C
Termination Interface: Style	Surface Mount

Electrical

Current - Maximum per Contact	6A
Voltage - Maximum	14V DC

Material Info

Reference - Drawing Numbers

Sales Drawing	SD-98599-006
---------------	--------------

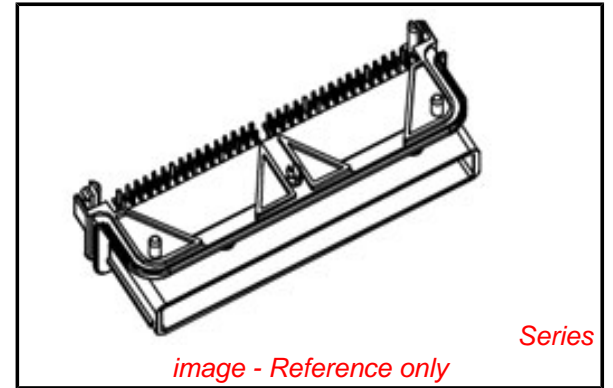


image - Reference only

EU RoHS

ELV and RoHS Compliant
REACH SVHC Contains SVHC: No
Halogen-Free
Status
Not Reviewed

China RoHS



Need more information on product environmental compliance?

Email productcompliance@molex.com
 For a multiple part number RoHS Certificate of Compliance, [click here](#)

Please visit the [Contact Us](#) section for any non-product compliance questions.

Search Parts in this Series

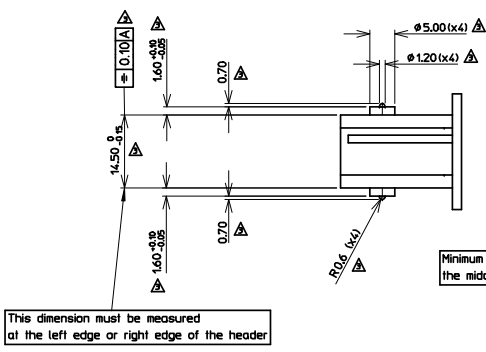
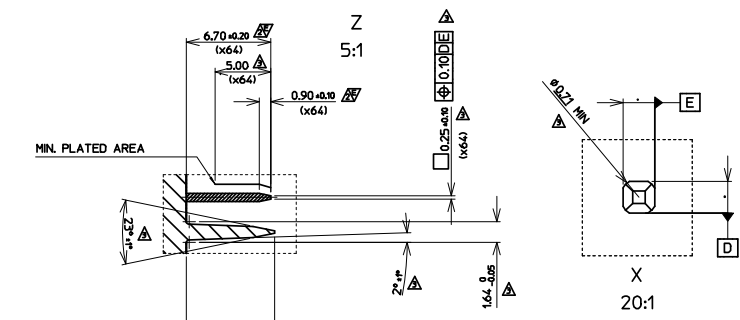
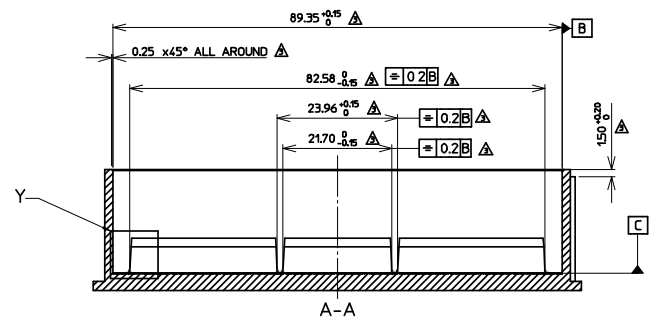
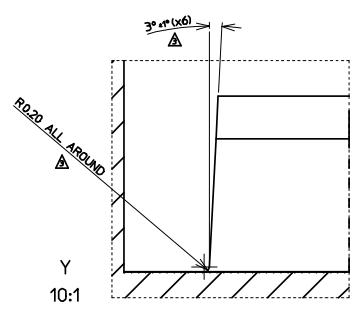
[98599Series](#)

Mates With

[98615 MOX Female Housing](#)

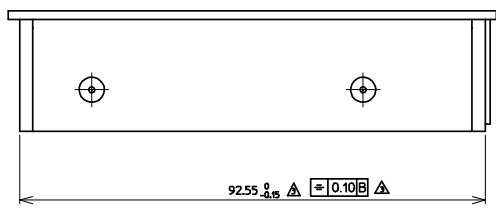
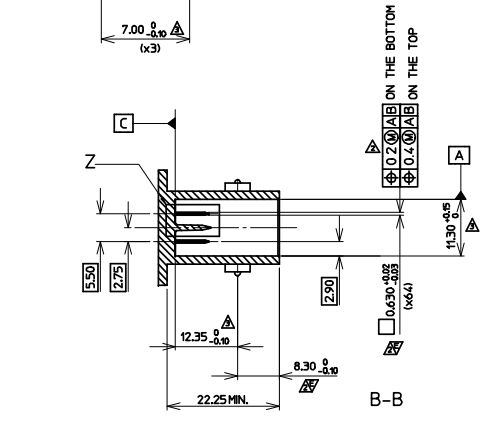
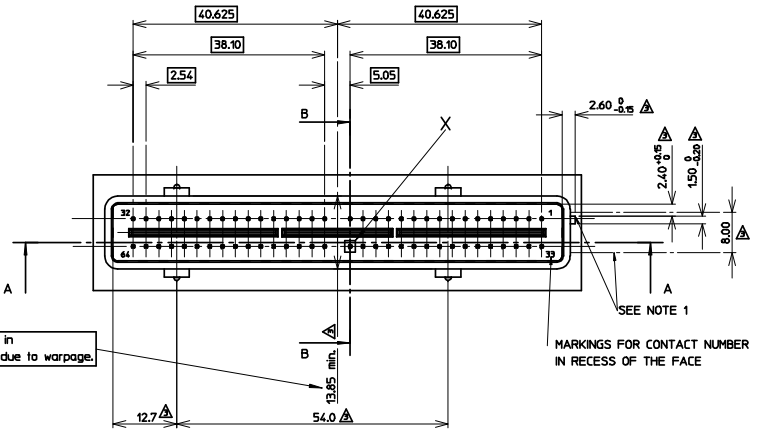
Use With

PCB



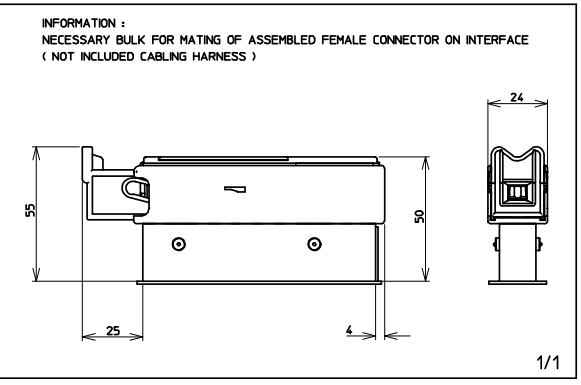
This dimension must be measured at the left edge or right edge of the header

Minimum dimension allowed in the middle of the header due to warpage.



NOTE 1: REMOVABLE PART IN THE MOLD FOR 4 ALLOWED DIFFERENT CODINGS (1 RIB BY PART) FIRST PARTS ARE MADE WITHOUT CODING

RETENTION FORCE OF PIN TERMINALS = 25 N. MIN
 TENSILE STRENGTH OF PLASTIC MATERIAL = 120 MPa MIN
 MATERIAL OF PIN TERMINALS = CuFe2P or CuSn6
 PIN SURFACE TREATMENT :
 0.3 μm MIN. Au Co OVER 1 μm MIN. Ni
 GOLD AS PER ASTM B488-95 TYPE 2 GRADE C
 TEMPERATURE CLASS = 1
 VIBRATION CLASS = 1
 SEALING CLASS = 0
 CONFORMITY WITH SPEC - RSA-36-05-019 REV.--E



New positioning tolerance EC NO: GZ008-0246 DRAWN: GRANDCL 2007/12/17 CHKD: MANDRE 2007/12/17 APPR: LSTICKEIR 2007/12/17	GENERAL TOLERANCES (UNLESS SPECIFIED)		SCALE 2:1	DESIGN UNITS METRIC	FIRST ANGLE PROJECTION	REVISE ON CAD ONLY
	4 PLACES ± --- ± ---	DIMENSION STYLE MM ONLY	DRAWN BY MANDRE	DATE 2000/11/17	TITLE HEADER 64 WAY INTERFACE DRAWING	
	3 PLACES ± --- ± ---	2 PLACES ± 0.05 ± ---	CHECKED BY LSTICKEIR	DATE 2000/11/17	MOLEX INCORPORATED	
	1 PLACE ± 0.10 ± ---	ANGULAR ± 1/2°	APPROVED BY WMORITZ	DATE 2000/11/17	MATERIAL NO. N/A	DOCUMENT NO. SD-98599-006
DRAFT WHERE APPLICABLE MUST REMAIN WITHIN DIMENSIONS			THIS DRAWING CONTAINS INFORMATION THAT IS PROPRIETARY TO MOLEX INCORPORATED AND SHOULD NOT BE USED WITHOUT WRITTEN PERMISSION		A1	