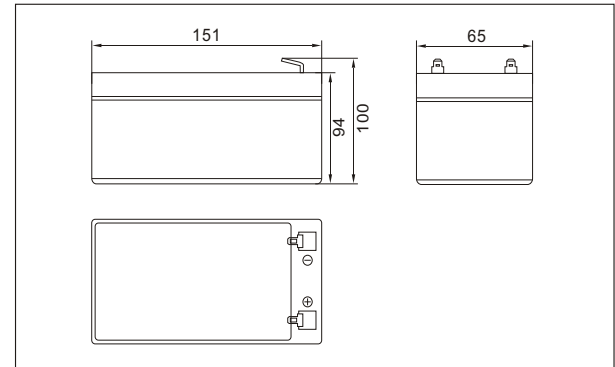




# SW1234W(12V8Ah)



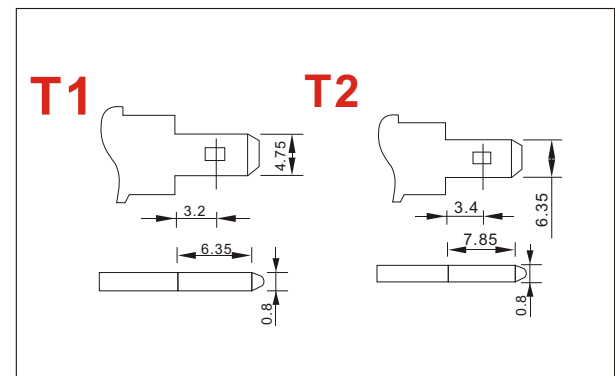
## Outer dimensions (mm)



## Specifications

Nominal Voltage	12V	
CAPACITY(15 minutes rate to 1.67V/cell)	34W	
Rated capacity (20 hour rate)	8Ah	
Dimensions	Total Height	100mm (3.94 inches)
	Height	94mm (3.70 inches)
	Length	151mm (5.94 inches)
	Width	65mm (2.56 inches)
Weight Approx	2.45Kg (5.5 lbs)	

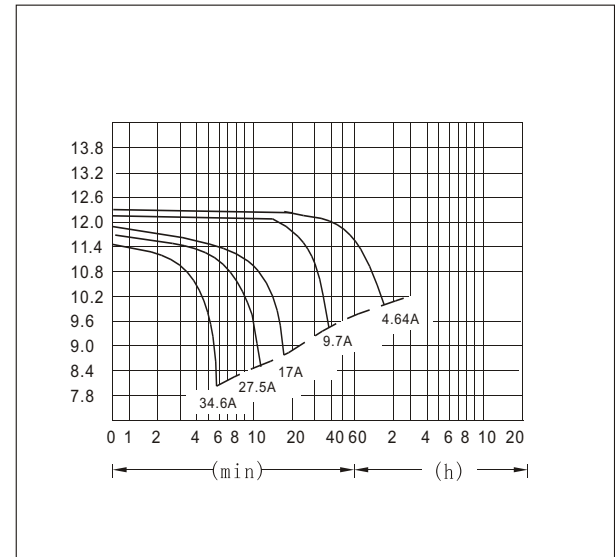
## Terminal Type (mm)



## Characteristics

Capacity 25°C(77°F)	30min rate	115W
	15min rate	204W
	6min rate	393W
Internal Resistance	Full charged Battery at 25°C(77°F)	22 mΩ
Capacity affected by Temperature (20hour rate)	40°C(104°F)	102%
	25°C(77°F)	100%
	0°C(32°F)	85%
	-15°C(5°F)	65%
Self-Discharge at 25°C(77°F)	Capacity after 3 month storage	91%
	Capacity after 6 month storage	82%
	Capacity after 12 month storage	64%
Terminal	T1, T2	
Charge (constant Voltage)	Cycle	Initial Charging Current less than 2.00A Voltage 14.10-14.40V
	Float	Voltage 13.50-13.80V

## Discharge Curves 25°C(77°F)



## Constant power discharge unit:watts(25°C , 77 °F)

	5MIN	10MIN	15MIN	30MIN	60MIN	5h	10h	20h
9.60V	21.30	16.89	12.07	6.74	3.67	9.75	4.75	0.27
10.02V	20.28	15.80	11.95	6.44	3.50	9.60	4.70	0.27
10.20V	19.31	15.47	11.24	6.32	3.44	9.50	4.65	0.26
10.50V	18.34	14.64	10.80	6.20	3.43	9.15	4.60	0.25
10.80V	17.13	13.80	10.35	6.09	3.41	8.90	4.50	0.25
11.10V	16.41	13.45	9.90	5.95	3.39	8.50	4.40	0.24

## Constant current discharge unit:A(25°C , 77 °F )

	5MIN	10MIN	15MIN	30MIN	60MIN	5h	10h	20h
9.60V	21.30	16.89	12.07	6.74	3.67	9.75	4.75	0.27
10.02V	20.28	15.80	11.95	6.44	3.50	9.60	4.70	0.27
10.20V	19.31	15.47	11.24	6.32	3.44	9.50	4.65	0.26
10.50V	18.34	14.64	10.80	6.20	3.43	9.15	4.60	0.25
10.80V	17.13	13.80	10.35	6.09	3.41	8.90	4.50	0.25
11.10V	16.41	13.45	9.90	5.95	3.39	8.50	4.40	0.24