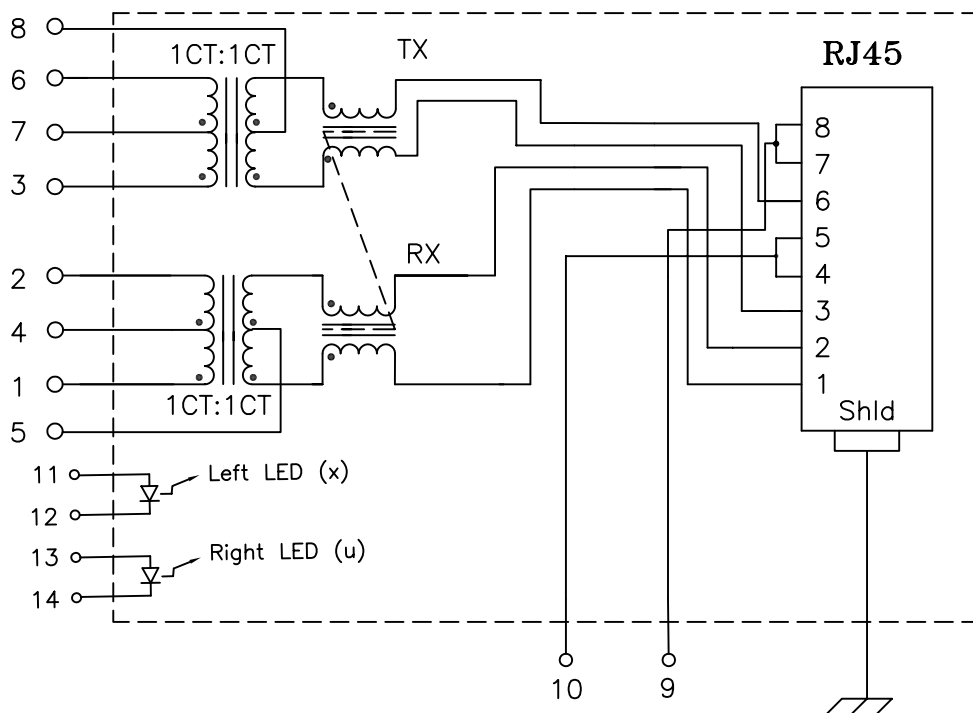


## Schematic:



## Electrical Specifications: @25°C

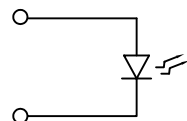
Isolation Voltage: 2250 Vdc (Input to Output)  
 Isolation Voltage: 500 Vrms (P1+2+4 to P3+6+7)  
 Isolation Voltage: 500 Vrms (P9+10 to J1+3 & P8)  
 Isolation Voltage: 500 Vrms (P9 to P10)  
 Turns Ratio: TX 1CT:1CT ±3% RX 1CT:1CT ±3%  
 Q: 16 Min @100KHz 0.1V  
 Insertion Loss: -1.2dB Max @1-100 MHz  
 Return Loss: 1-30MHz 40MHz 50MHz 60-80MHz  
                   -16dB    -14dB    -13dB    -12dB (Min)  
 Differential to Common Mode Rejection:  
                   30MHz    60MHz    100MHz  
                   -50dB    -43dB    -35dB (Min)  
 Cross Talk: 30MHz    60MHz    100MHz  
                   -43dB    -37dB    -33dB (Min)  
 DC Current: 350mA through the xfmr center taps.  
 DC Current: 1.5A/pin, J4,5,7&8.

Complete the Combo P/N as follows:

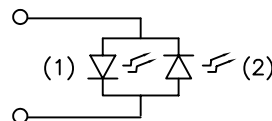
Replace 'x' & 'u' in the part number with one of the LED color letters:

Y=Yellow                    'x' = Left LED Color  
 G=Green                    'u' = Right LED Color  
 A=Amber  
 R=Red  
 N=Yellow(1)/Green(2) Bicolor  
 M=Green(1)/Yellow(2) Bicolor  
 C=Green(1)/Amber(2) Bicolor

Single Color LED:



Bi-Color LED:



### Notes:

- Solderability: Leads shall meet MIL-STD-202G, Method 208H for solderability.
- Flammability: UL94V-0
- ASTM oxygen index: > 28%
- UL Recognized Component: File Number E200238
- Operating Temperature Range: All listed parameters are to be within tolerance from -40°C to +85°C
- Storage Temperature Range: -55°C to +125°C
- Aqueous wash compatible
- Electrical and mechanical specifications 100% tested
- RoHS Compliant Component

DOC. REV: A/16

**PROPRIETARY:**

Document is the property of XFMRs Group & is not allowed to be duplicated without authorization.

**XFMRs Inc.**  
www.XFMRs.com

Title: **SINGLE PORT COMBO**

UNLESS OTHERWISE SPECIFIED

P/N: XFVOIP5E-CLxu1-4MS    REV. A

TOLERANCES:  
.xxx ±0.010

DWN.	Mei Chen	Sep-07-10
------	----------	-----------

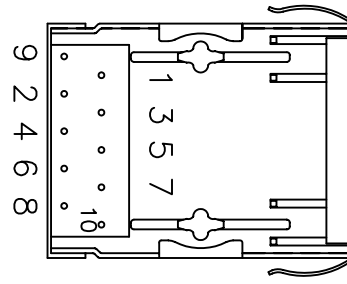
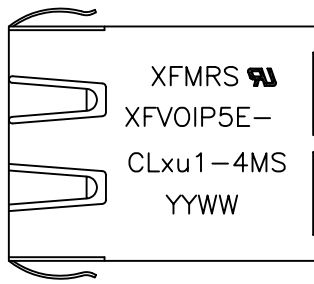
Dimensions in Inch

CHK.	YK Liao	Sep-07-10
------	---------	-----------

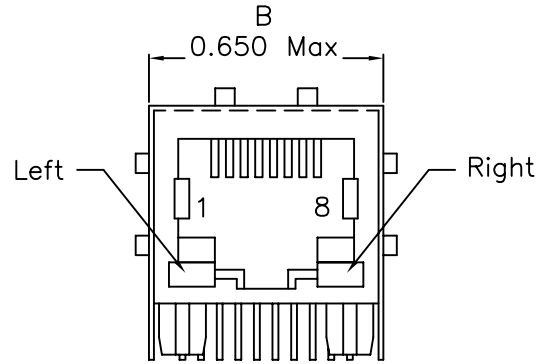
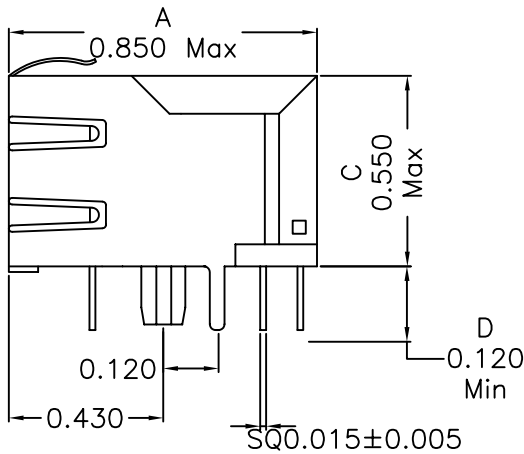
SHEET 1 OF 2

APP.	BW	Sep-07-10
------	----	-----------

### Mechanical Dimensions:

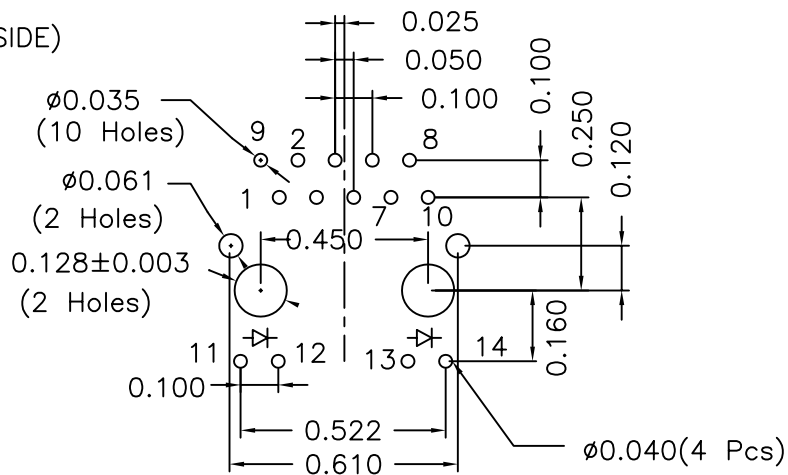


(BOTTOM VIEW)



### Mounting Pattern:

(COMP SIDE)



**XFMRS Inc.**  
www.XFMRS.com

Title: Mechanical Dimensions  
For CLxu1-4MS Series

UNLESS OTHERWISE SPECIFIED  
TOLERANCES:  
.xxx ±0.010  
Dimensions in Inch

P/N: XFVOIP5E-CLxu1-4MS

REV. A

DWN. Mei Chen

Sep-07-10

CHK. YK Liao

Sep-07-10

SHEET 2 OF 2

APP. BW

Sep-07-10

DOC REV: A/16

**PROPRIETARY:**

Document is the property of XFMRS Group & is not allowed to be duplicated without authorization.