

PLEASE CHECK WWW.MOLEX.COM FOR LATEST PART INFORMATION

Part Number: [0391001008](#)
Status: **Active**
Description: 10.00mm (.394") Pitch Beau™ Eurostyle™ Two-Screw Terminal Strips, 8 Circuits

Documents:

[3D Model](#) [RoHS Certificate of Compliance \(PDF\)](#)
[Drawing \(PDF\)](#)

Agency Certification

CSA 25562
 UL E82573

General

Product Family Terminal Blocks
 Series [39100](#)
 Application Wire-to-Wire
 Component Type One Piece
 MolexKits Yes
 Product Literature Order No USA-303
 Product Name Eurostyle™Two Screw
 Type Euro Block

Physical

Circuits (Loaded) 8
 Entry Angle Horizontal
 Flammability 94V-2
 Lock to Mating Part None
 Number of Rows 2
 Orientation Vertical
 PCB Retention Yes
 Panel Mount Mounting Holes Between Circuit
 Pitch - Mating Interface (in) 0.394 In
 Pitch - Mating Interface (mm) 10.00 mm
 Pitch - Term. Interface (in) 0.315 In
 Pitch - Term. Interface (mm) 8.00 mm
 Polarized to Mating Part No
 Stackable No
 Temperature Range - Operating 100°C
 Wire Size AWG 10, 12, 14, 16, 18

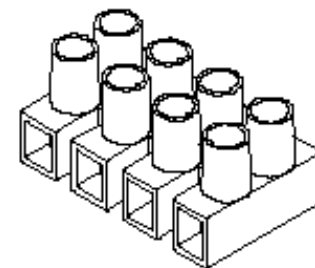
Electrical

Current - Maximum per Contact 30A
 Voltage - Maximum 600V

Material Info

Reference - Drawing Numbers

Sales Drawing SD-39100-004



Series
image - Reference only

EU RoHS

ELV and RoHS
Compliant
REACH SVHC
 Not Reviewed
Halogen-Free
Status
Not Reviewed

China RoHS

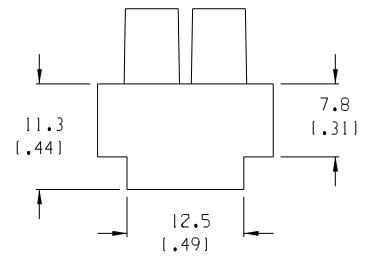
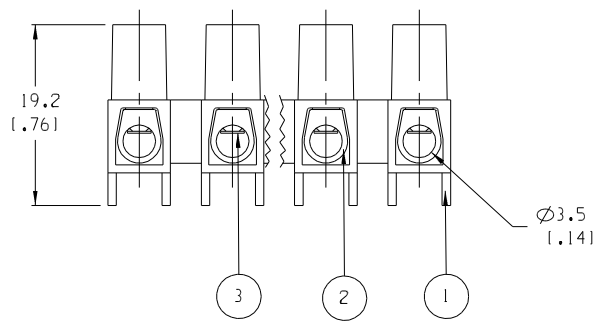
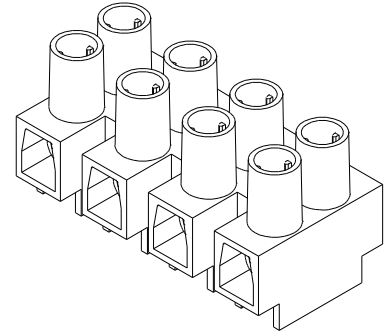
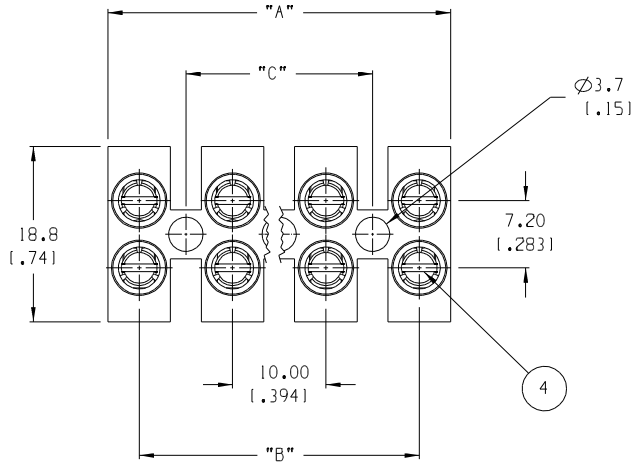


Need more information on product environmental compliance?

Email productcompliance@molex.com
 For a multiple part number RoHS Certificate of Compliance, [click here](#)

Please visit the [Contact Us](#) section for any non-product compliance questions.

Search Parts in this Series
[39100Series](#)



NUMBER OF CIRCUITS	"A" DIM.	"B" DIM.	"C" DIM.	MATERIAL NUMBER
01	7,00 [2.761]	N/A	N/A	391001001
02	17,00 [1.6691]	10,00 [1.3941]	N/A	391001002
03	27,00 [1.0631]	20,00 [1.7871]	10,00 [1.3941]	391001003
04	37,00 [1.4571]	30,00 [1.1811]	20,00 [1.7871]	391001004
05	47,00 [1.8501]	40,00 [1.5751]	30,00 [1.1811]	391001005
06	57,00 [2.2441]	50,00 [1.9691]	40,00 [1.5751]	391001006
07	67,00 [2.6381]	60,00 [2.3621]	50,00 [1.9691]	391001007
08	77,00 [3.0311]	70,00 [2.7561]	60,00 [2.3621]	391001008
09	87,00 [3.4251]	80,00 [3.1501]	70,00 [2.7561]	391001009
10	97,00 [3.8191]	90,00 [3.5431]	80,00 [3.1501]	391001010
11	107,00 [4.2131]	100,00 [3.9371]	90,00 [3.5431]	391001011
12	117,00 [4.6061]	110,00 [4.3311]	100,00 [3.9371]	391001012

- NOTES:
1. MATERIAL: SEE TABLE
 2. FINISHES: SEE TABLE
 3. PRODUCT SPECIFICATION: NOT REQUIRED
 4. PACKAGING: NOT REQUIRED
 5. MATES WITH: NONE
 6. "XX" REFERS TO THE NUMBER OF CIRCUITS

ITEM	QTY.	DESCRIPTION	MATERIAL	FINISH
4	XX*2	CLAMPING SCREWS, M3	STEEL	ZINC
3	XX	WIRE PROTECTOR	BRASS	NICKEL
2	XX	TERMINAL	BRASS	NICKEL
1	1	INSULATOR	NYLON 6	CLEAR

EC NO. RELEASED DRWN: JF 09-15-04 CHK: APPR:	QUALITY SYMBOLS MAJOR CRITICAL SPC	GENERAL TOLERANCES: (UNLESS SPECIFIED)		SCALE 2:1	DESIGN UNITS <input type="checkbox"/> mm <input checked="" type="checkbox"/> INCH	THIRD ANGLE PROJECTION	PROJECT NO.	SHT	REV	
		4 PLACES ±.0015 3 PLACES ±.038 ±.005 2 PLACES ±.13 ±.01 1 PLACE ±.3	DRAWN BY & DATE J.FARMER 09-15-04	TITLE: 10MM HIGH PROFILE WITH WIRE PROTECTOR			DIMENSIONS: <input checked="" type="checkbox"/> mm <input type="checkbox"/> INCH <input type="checkbox"/> mm ONLY	REVISE ON CAD ONLY		
A	REV	ANGULAR: ±2°		CHECKED BY & DATE	APPROVED BY & DATE			MATERIAL NO. DRAWING NO. SHEET NO. SEE CHART 39100-10XX SD-39100-004 1 OF 1		
DRAFT WHERE APPLICABLE MUST REMAIN WITHIN DIMENSIONS				CAD FILENAME 39100-10XX				THIS DRAWING CONTAINS INFORMATION THAT IS PROPRIETARY TO MOLEX INCORPORATED AND SHOULD NOT BE USED WITHOUT WRITTEN PERMISSION.		