

AIR PILOT VALVE SERIES SYA

- ✓ Comprehensive range of air operated valves
- ✓ Interchangeable with solenoid type SY manifold
- ✓ Modern light colouring scheme
- ✓ Long life spool technology
- ✓ One touch fitting available for body ported type

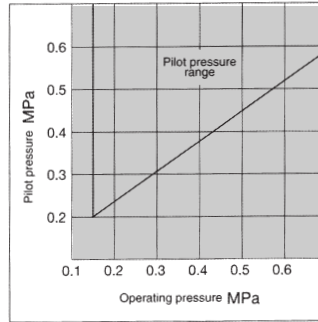


Valves

TECHNICAL SPECIFICATIONS

	SYA3000	SYA5000	SYA7000
Applicable fluid	Air		
Operating pressure	1.5-7.1 kgf/cm ² (0.15-7 MPa)		
2 position single pilot	1-7.1 kgf/cm ² (0.1-7 MPa)		
2 position double pilot	2-7.1 kgf/cm ² (0.2-7 MPa)		
3 positions	2-7.1 kgf/cm ² (0.2-7 MPa)		
Pilot pressure range	See separate chart (on right)		
Lubrication	Not required		
Mounting position	Free		

Other specifications as per solenoid operated SY valves

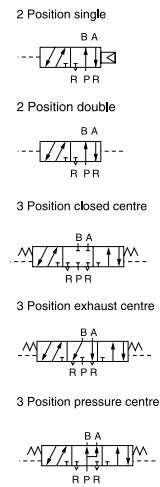


FLOW CAPACITIES

Note: Flow capacities vary with the port size selected and between body port and base mounted versions. The table below shows median values for each valve type. Full details may be obtained from your nearest SMC Regional Centre.

Cv	Port Size	Subbase Mounted	M5 Port	C4 Port	C6 Port	Rc 1/8 Port	C8 Port	Rc 1/4 Port	C10 Port
SYA3120	Body Port		0.2	0.19	0.2				
SYA3140	Base Mount	0.27							
SYA5120	Body Port			0.29	0.41	0.41	0.41		
SYA5140	Base Mount	0.44							
SYA7120	Body Port						0.64	0.67	0.68
SYA7140	Base Mount	0.78							

SYMBOLS 5 PORT



HOW TO ORDER

BODY PORTED VERSION

SYA ● 20 — ● — ●

BODY SIZE

- 3SYA3000
- 5SYA5000
- 7SYA7000

ACTUATION

- 12 position pilot/spring
- 22 position pilot/pilot
- 33 position closed centre
- 43 position exhaust centre
- 53 position pressure centre

PORTING

	M5	C4	C6	01	C8	02	C10
SYA3000	•	•	•				
SYA5000		•	•	•	•		
SYA7000					•	•	•

- Available
- C One touch tube fitting

BRACKET

- Nil ...None
- F1 ...End bracket (2 position pilot/spring valve only)
- F2 ...Side bracket

HOW TO ORDER

BASE MOUNTED VERSION

SYA ● ● 40

BODY SIZE

- 3SYA3000
- 5SYA5000
- 7SYA7000

ACTUATION

- 12 position pilot/spring
- 22 position pilot/pilot
- 33 position closed centre
- 43 position exhaust centre
- 53 position pressure centre

ACCESSORIES SERIES SYA

Sub bases, manifolds and porting blocks are common with solenoid operated SY valves. For full details, please refer to catalogue section Series SY.



SEE INSIDE FRONT COVER FOR
DETAILS OF YOUR LOCAL SALES OFFICE



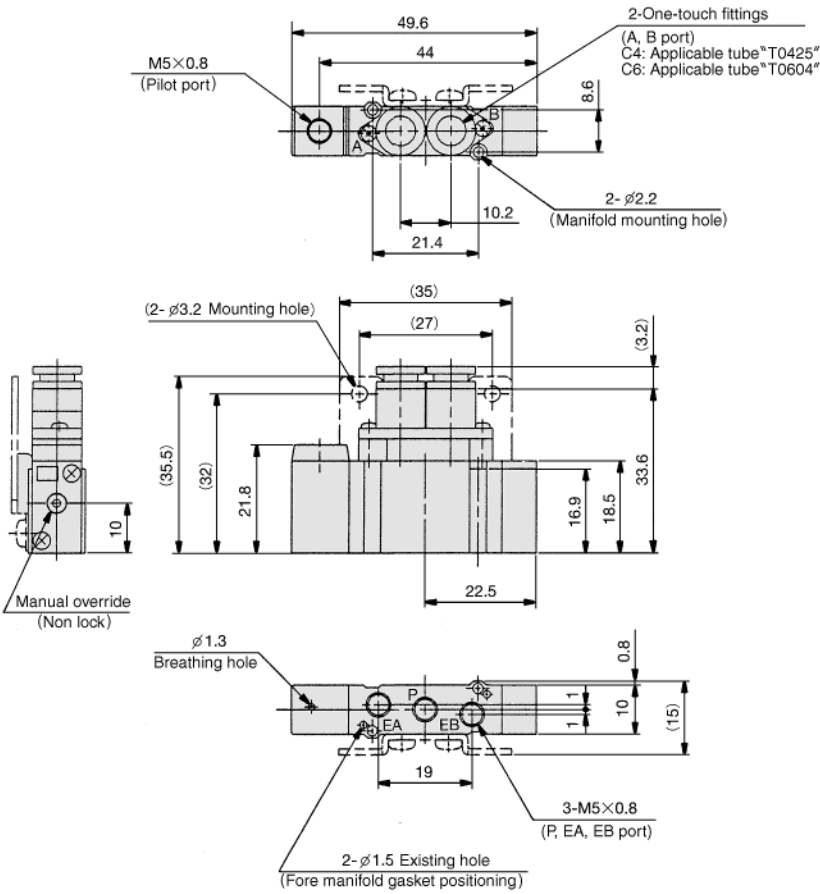
FOR FURTHER TECHNICAL
DETAILS ON THIS
PRODUCT REQUEST
CATALOGUE REFERENCE
E135-B

DIMENSIONS

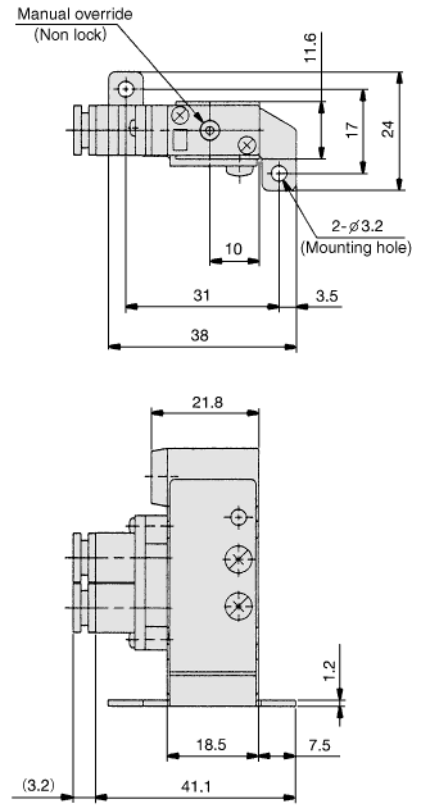
SYA3000 BODY PORTED 2 POSITION SINGLE

SYA3120- C4 (-F2)
C6

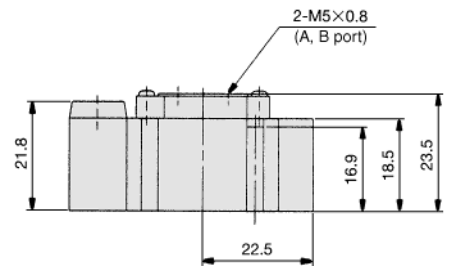
Valves



SYA3120- C4 -F1
C6



SYA3120-M5

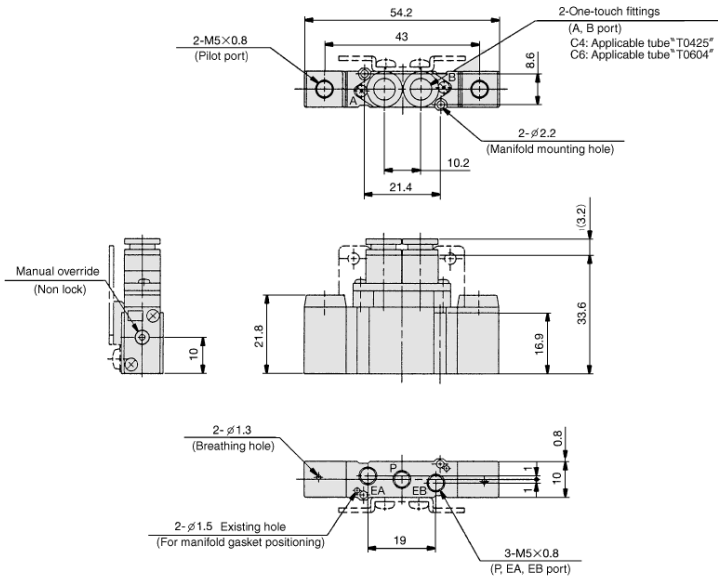


FOR FURTHER TECHNICAL
DETAILS ON THIS
PRODUCT REQUEST
CATALOGUE REFERENCE
E135-B

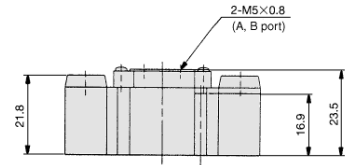
DIMENSIONS

SYA3000 BODY PORTED 2 POSITION DOUBLE

SYA3220-^{C4}_{C6} (-F2)



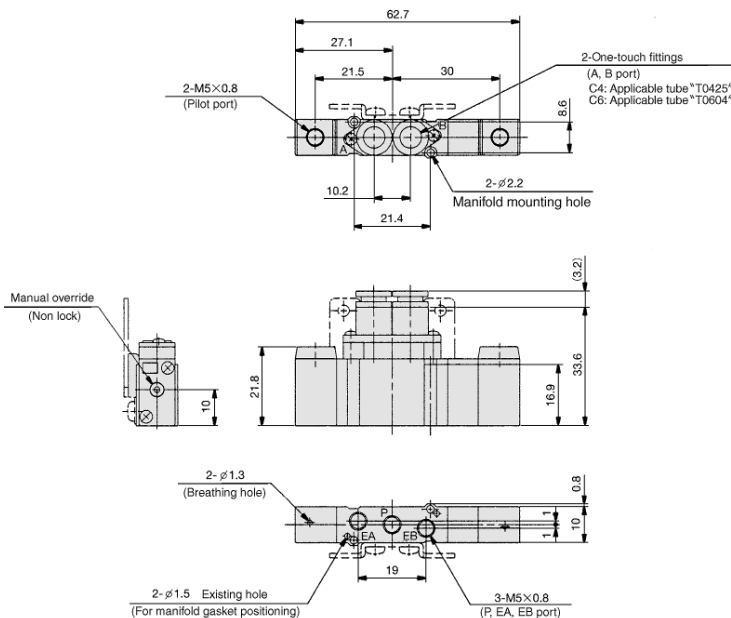
SYA3220-M5



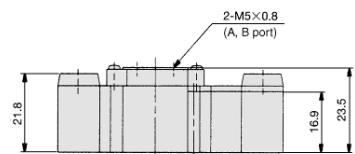
DIMENSIONS

SYA3000 BODY PORTED 3 POSITION VALVES

³₅ SYA3 4 20-^{C4}_{C5} (-F2)



³₅ SYA3 4 20-M5



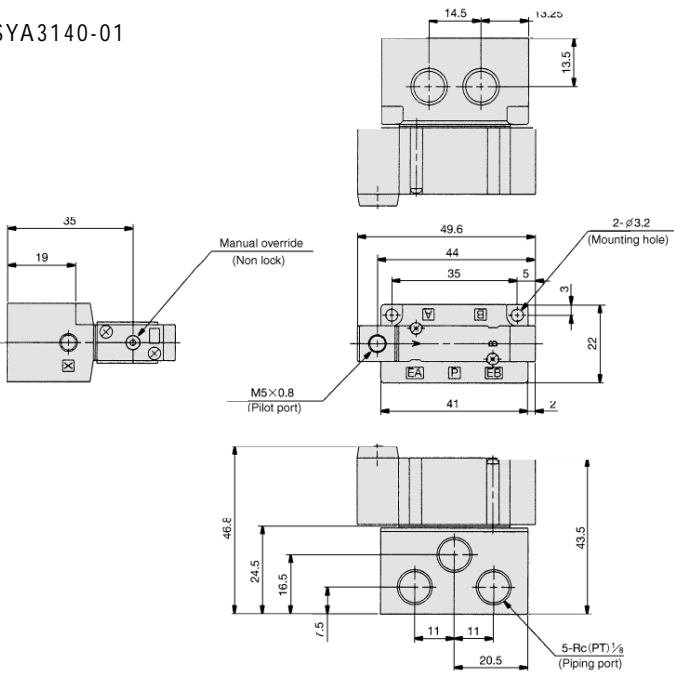
SEE INSIDE FRONT COVER FOR
DETAILS OF YOUR LOCAL SALES OFFICE



FOR FURTHER TECHNICAL
DETAILS ON THIS
PRODUCT REQUEST
CATALOGUE REFERENCE
E135-B

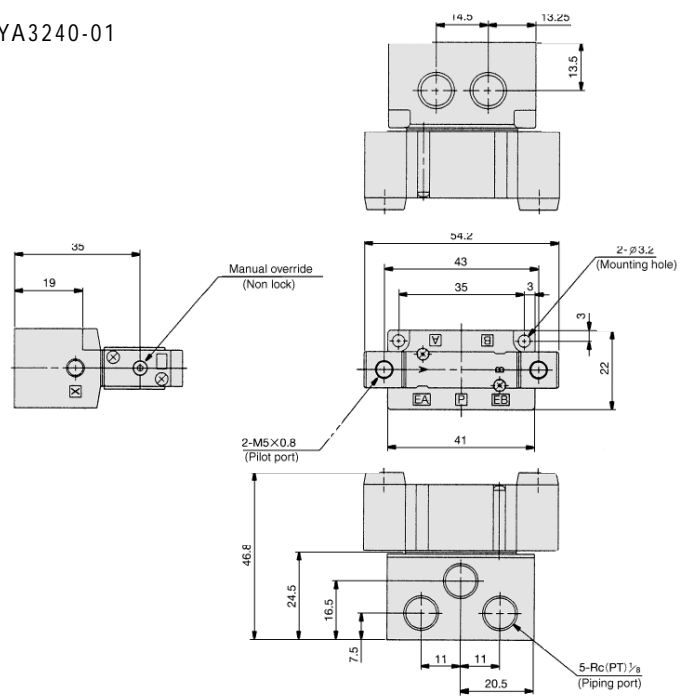
DIMENSIONS
SYA3000 BASE MOUNTED 2 POSTION SINGLE

SYA3140-01



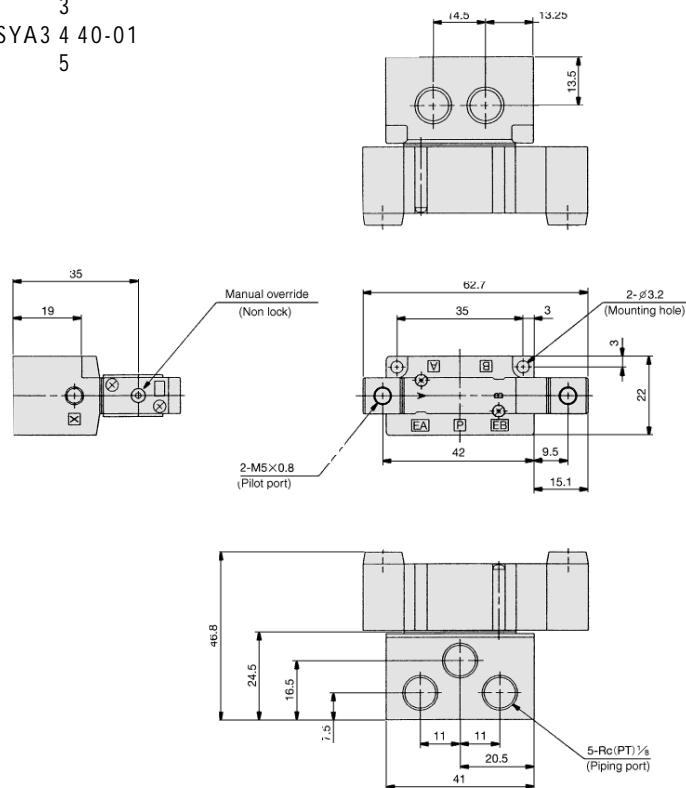
DIMENSIONS
SYA3000 BASE MOUNTED 2 POSTION DOUBLE

SYA3240-01



DIMENSIONS
SYA3000 BASE MOUNTED 3 POSTION VALVES

3
SYA3 4 40-01
5

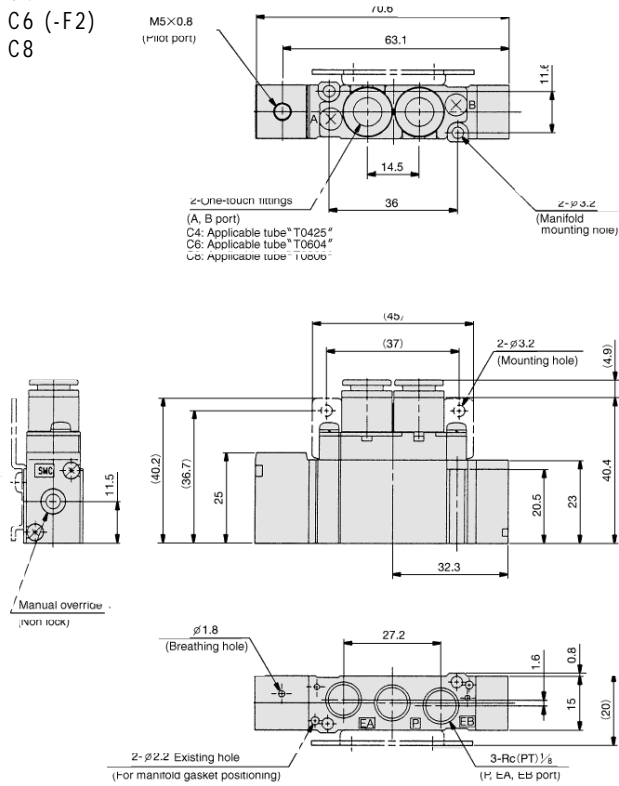


FOR FURTHER TECHNICAL
DETAILS ON THIS
PRODUCT REQUEST
CATALOGUE REFERENCE
E135-B

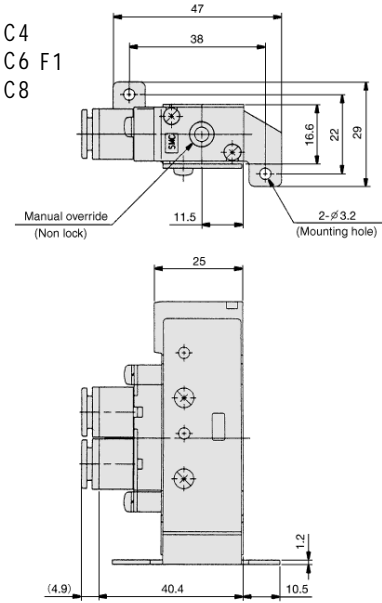
DIMENSIONS

SYA5000 BODY PORTED 2 POSITION SINGLE

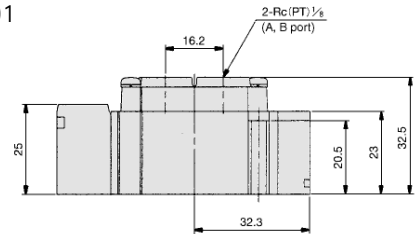
C4
SYA5120- C6 (-F2)
C8



C4
SYA5120- C6 F1
C8



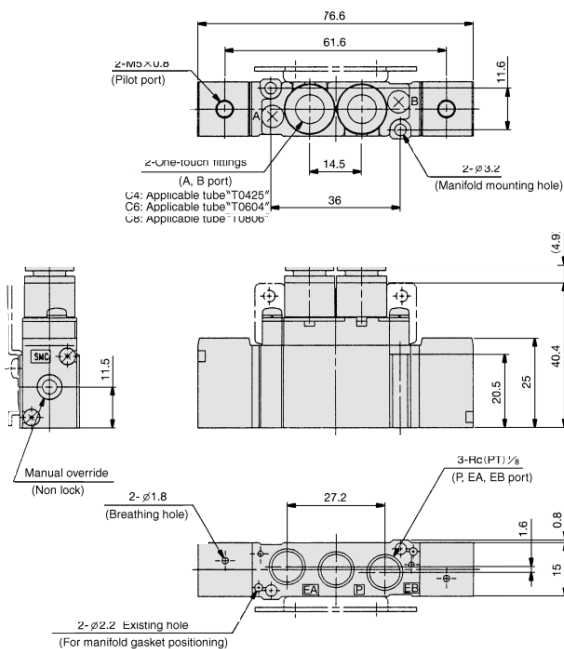
SYA5120-01



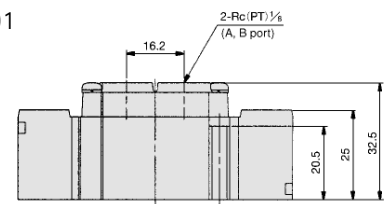
DIMENSIONS

SYA5000 BODY PORTED 2 POSITION DOUBLE

C4
SYA5220- C6 (-F2)
C8



SYA5220-01



SEE INSIDE FRONT COVER FOR
DETAILS OF YOUR LOCAL SALES OFFICE

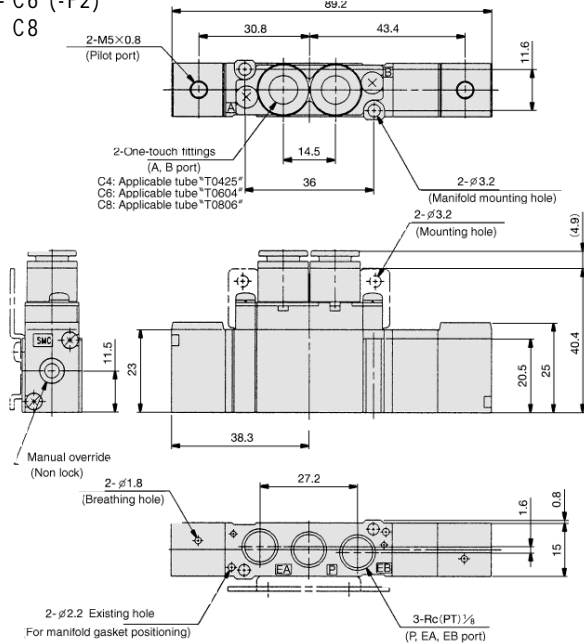


FOR FURTHER TECHNICAL
DETAILS ON THIS
PRODUCT REQUEST
CATALOGUE REFERENCE
E135-B

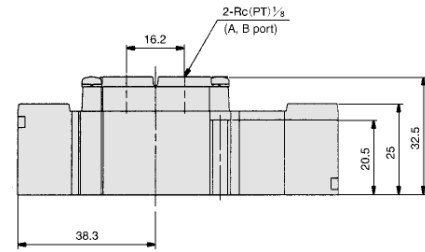
DIMENSIONS

SYA5000 BODY PORTED 3 POSITION VALVES

- 3 C4
- SYA5 4 20- C6 (-F2)
- 5 C8



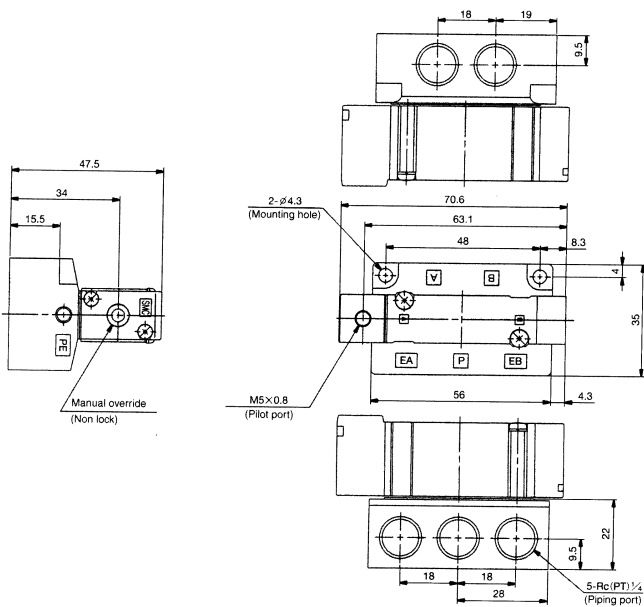
- 3
- SYA5 4 20-01
- 5



DIMENSIONS

SYA5000 BASE MOUNTED 2 POSITION SINGLE PILOT

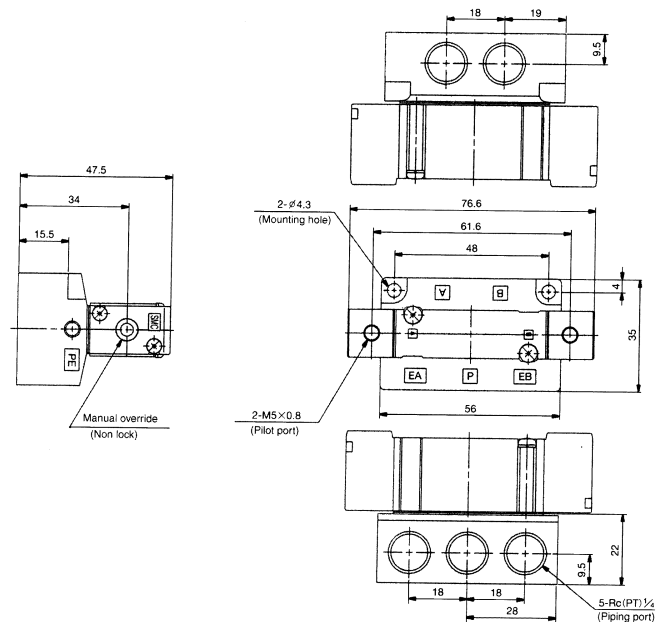
SYA5140-02



DIMENSIONS

SYA5000 BASE MOUNTED 2 POSITION DOUBLE PILOT

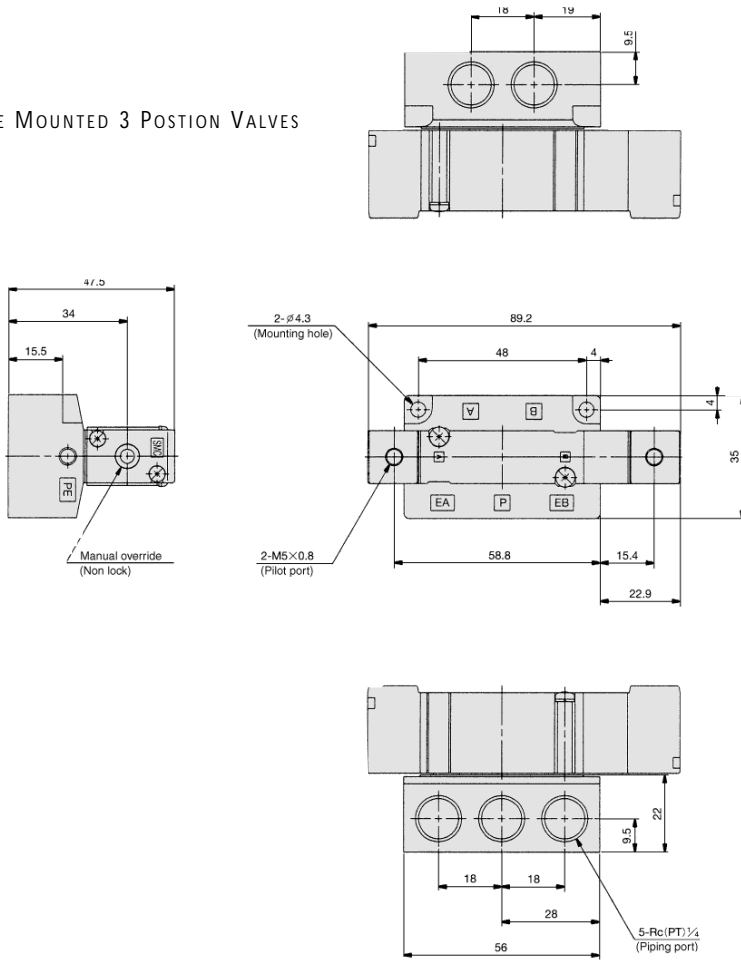
SYA5240-02



FOR FURTHER TECHNICAL
 DETAILS ON THIS
 PRODUCT REQUEST
 CATALOGUE REFERENCE
 E135-B

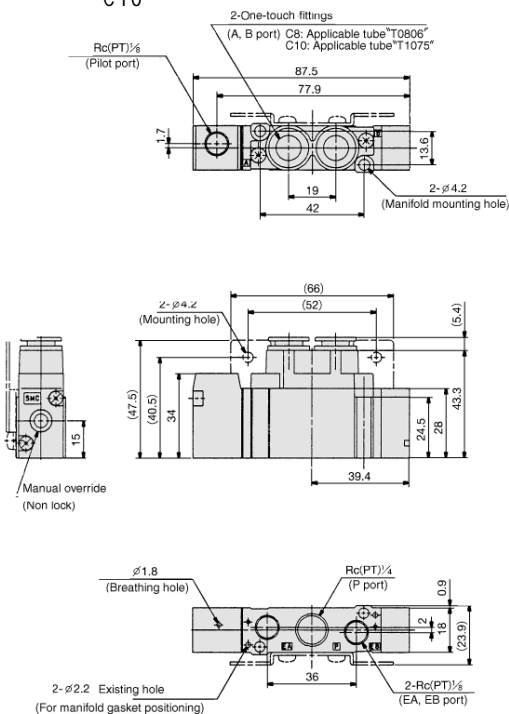
DIMENSIONS
SYA5000 BASE MOUNTED 3 POSITION VALVES

3
SYA5 4 40-02
5

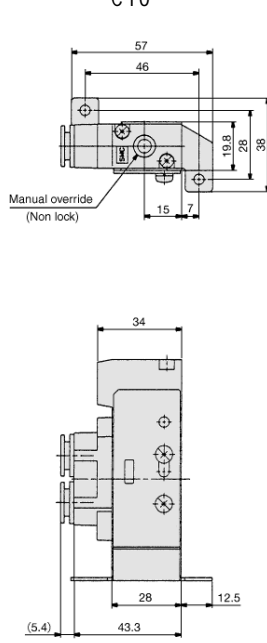


DIMENSIONS
SYA7000 BODY PORTED 2 POSITION SINGLE

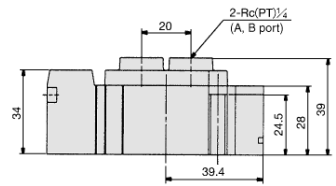
SYA7120- C8
C10 (-F2)



SYA7120- C8
C10 -F1



SYA7120-02



SEE INSIDE FRONT COVER FOR
DETAILS OF YOUR LOCAL SALES OFFICE

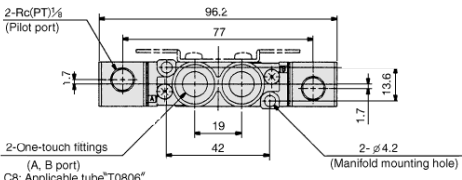


FOR FURTHER TECHNICAL
DETAILS ON THIS
PRODUCT REQUEST
CATALOGUE REFERENCE
E135-B

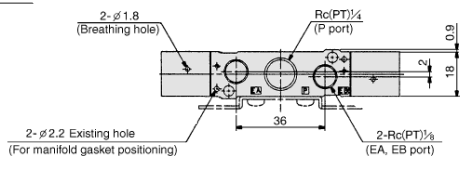
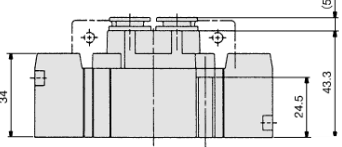
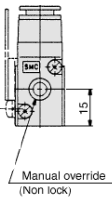
DIMENSIONS

SYA7000 BODY PORTED 2 POSITION DOUBLE PILOT

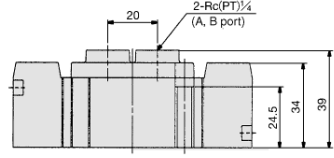
SYA7220- C8
C10



C8: Applicable tube "T0806"
C10: Applicable tube "T1075"



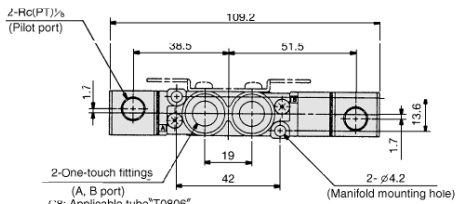
SYA7220-02



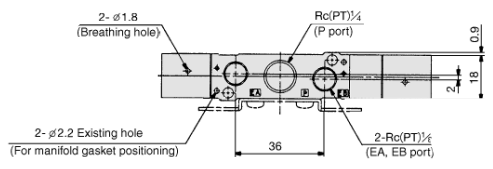
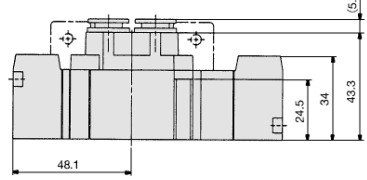
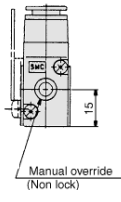
DIMENSIONS

SYA7000 BODY PORTED 3 POSITION VALVES

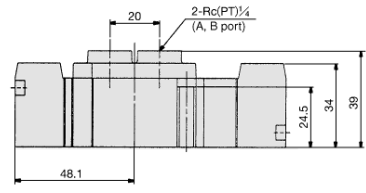
3
SYA7 4 20- C8
5 C10



C8: Applicable tube "T0806"
C10: Applicable tube "T1075"



3
SYA7 4 20-02
5

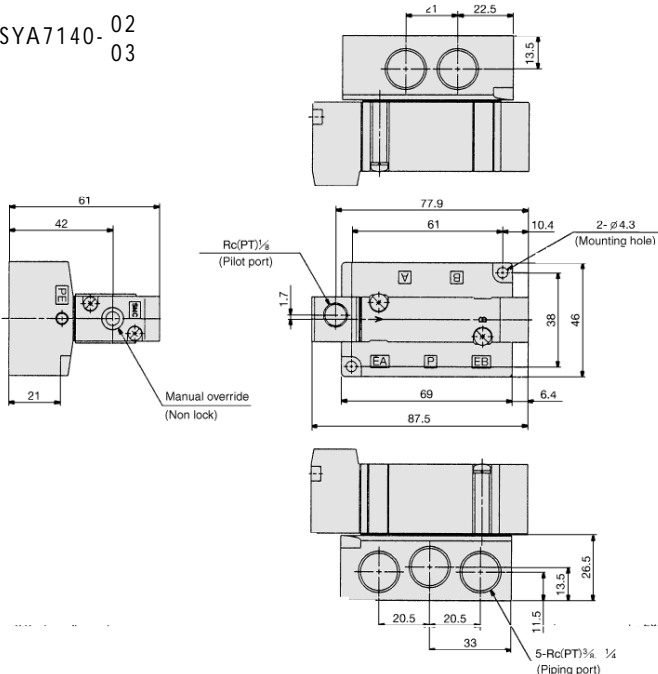


FOR FURTHER TECHNICAL
DETAILS ON THIS
PRODUCT REQUEST
CATALOGUE REFERENCE
E135-B

DIMENSIONS

SYA7000 BASE MOUNTED 2 POSITION SINGLE PILOT

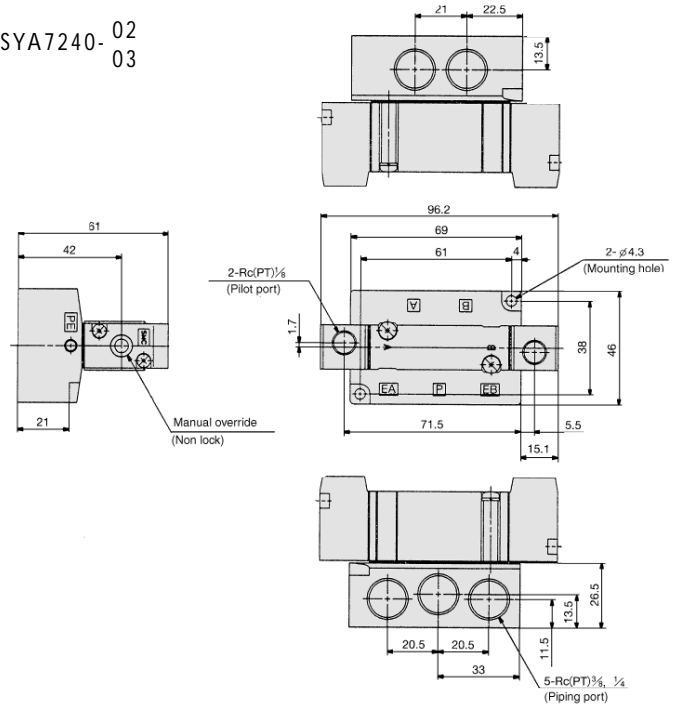
SYA7140-02
03



DIMENSIONS

SYA7000 BASE MOUNTED 2 POSITION DOUBLE PILOT

SYA7240-02
03

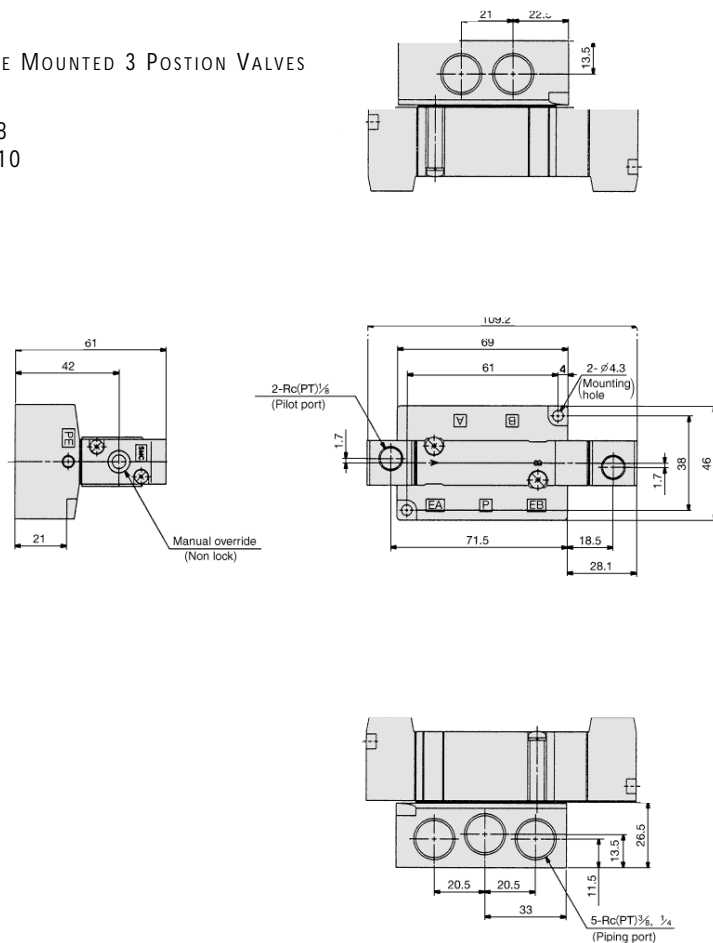


Valves

DIMENSIONS

SYA7000 BASE MOUNTED 3 POSITION VALVES

3
SYA7440-C8
5 C10



SEE INSIDE FRONT COVER FOR
DETAILS OF YOUR LOCAL SALES OFFICE



FOR FURTHER TECHNICAL
DETAILS ON THIS
PRODUCT REQUEST
CATALOGUE REFERENCE
E135-B